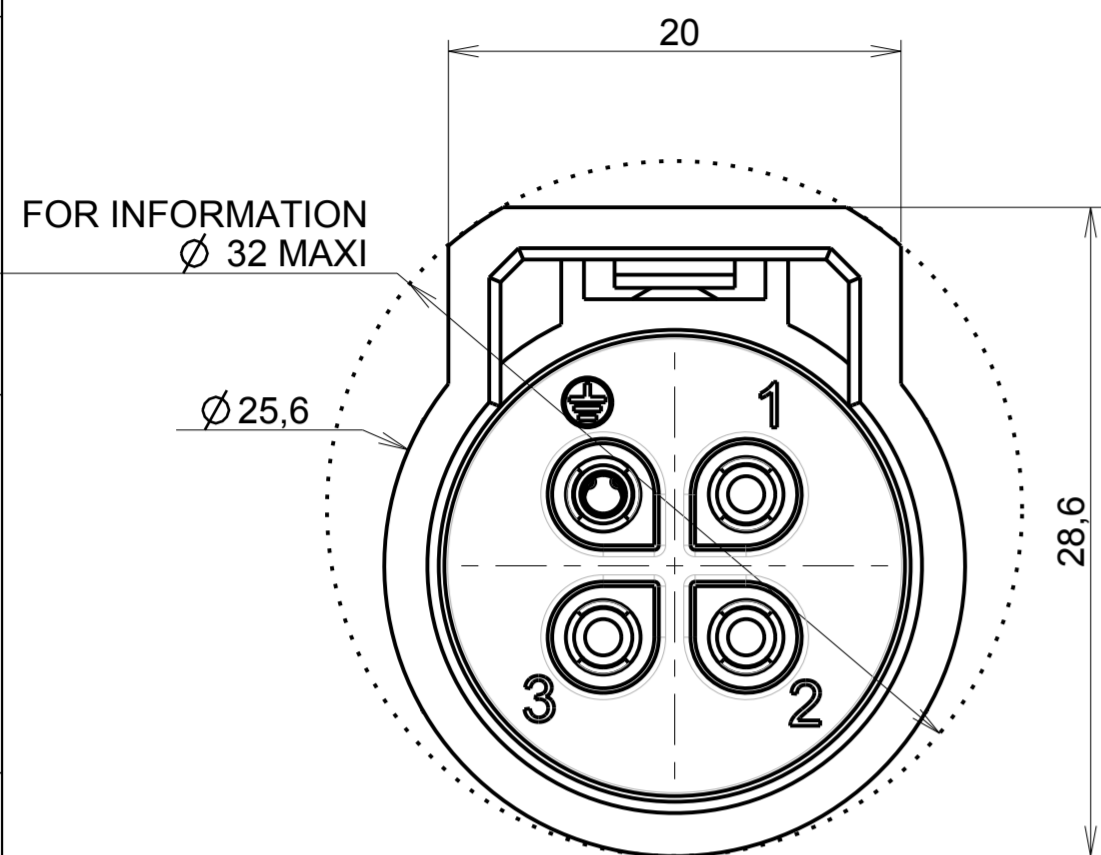
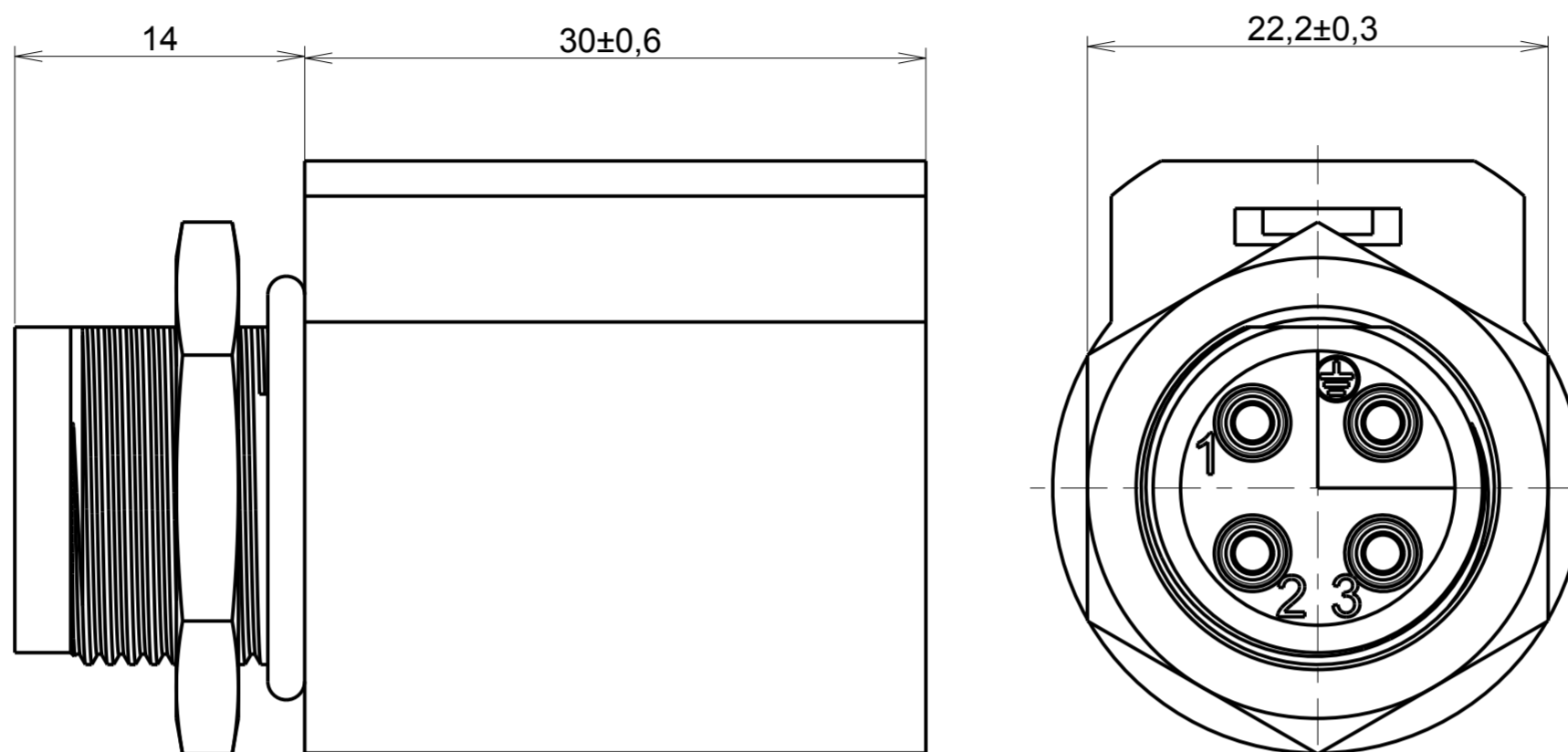


d : 1 : RL

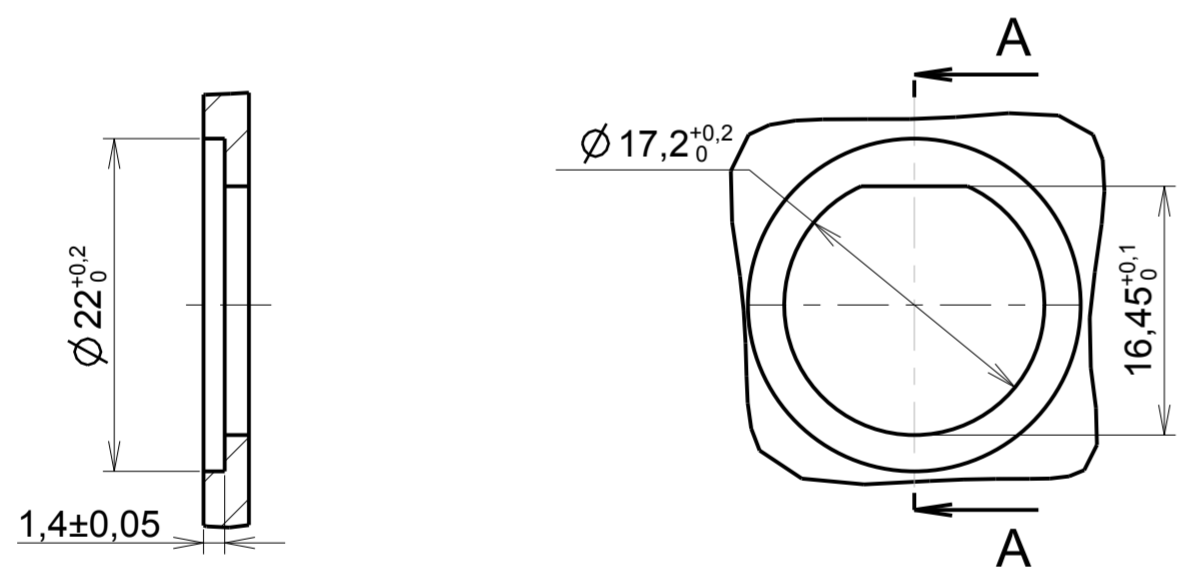
MATING FACE



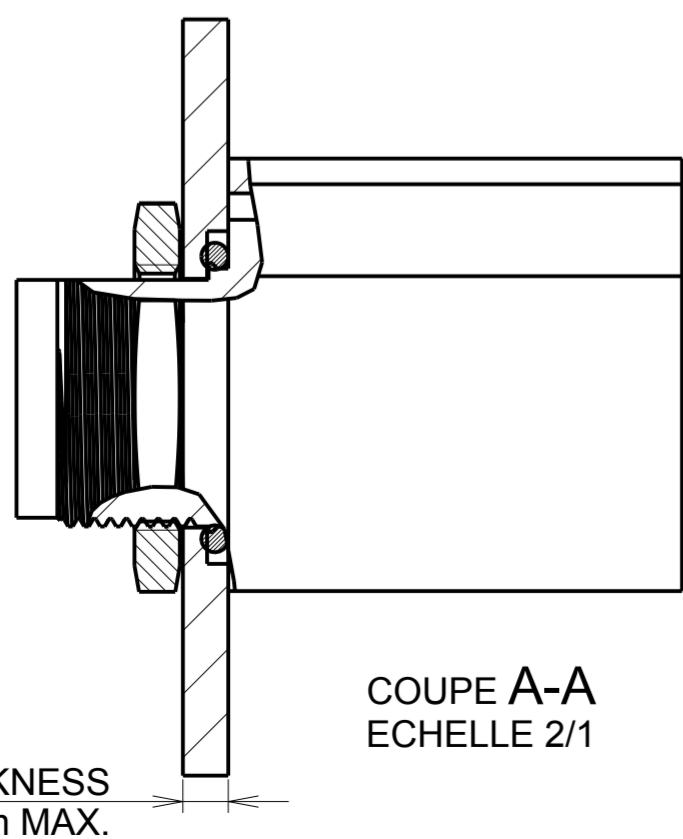
WIRING FACE



PANEL CUT OUT



COUPE A-A



PANEL THICKNESS
6mm MAX.

NOTES

MATERIALS
SHELL SEE TABLE
O'RING NBR
NUT BLACK ANODIZED ALUMINIUM ALLOY

PERFORMANCES CHARACTERISTICS

MECHANICAL
TEMPERATURE CLASS IEC61984/UL1977 -40°C TO 105°C
DURABILITY IEC61984 500 MATE / UNMATE CYCLES
SEALING IN MATED CONDITIONS IEC60529 IP68 1BAR DURING 1WEEK
DIN40050 IP69K
SEALING IN UNMATED CONDITIONS IEC60529 IP67 WITH CAPS
OPEN FACE SEALING IEC60529 IP67 WITH R*M25* CONTACTS
POLLUTION DEGREE IEC61984 4
CORROSION SALT SPRAY IEC61984 MIN 1000H
FLAMMABILITY UL94 MATERIAL RATING: 5VA
OUTDOOR SUITABILITY (UV RESIST) UL746C MATERIAL RATING: (f1)
SCOOP PROOF

ELECTRICAL
TOUCH PROOF IEC60529 IP2X
NOMINAL CURRENT UL1977 16A WITH AWG14 WIRE / 13A WITH AWG16 WIRE
NOMINAL CURRENT IEC61984 16A WITH 2.5MM² WIRE / 13A WITH 1.5MM² WIRE AT 60°C
NOMINAL VOLTAGE UL1977 600V
NOMINAL VOLTAGE IEC61984 250VAC 4KV 4 FOR CLASS II
IEC61984 500VAC 6KV 4 FOR CLASS I
CONNECTOR BREAKING CAPACITY UL1977 277V 13A WITH AWG14/16 WIRES
IEC61984 250VAC 13A 4KV 4

ROHS COMPLIANT

- COUNTERPART REFERENCE UTL PLUG
- CONNECTORS ARE DELIVERED AS PRE-ASSEMBLED KIT
- CONNECTOR BLOCKS ACCEPTS TRIM TRIO CONTACTS #16, R*M* OR S*M* TYPES
- CONTACTS TO BE ORDERED SEPARATELY.
- WARNING: PHASE CONTACTS ARE MALE VERSION AND GROUND CONTACT IS FEMALE VERSION
- UNIT IN MM

P/N	SHELL' S MATERIAL
UTL7103G1P	POLYAMID GLASS REINFORCED BLACK COLOR
UTL7103G1P03	POLYAMID GLASS REINFORCED LIGHT GREY COLOR

P/N : SEE TABLE

d	19/11/12	Change part number customer drawing	22725
ISS	DATE	UTS2-0007A-C01 by UTL1-0007A-C01	MOD N°
		Latest modification - by: RIOUX.B	
Designed by:	RAGINE M.	Date: 06/12/11	CUSTOMER DRAWING
TITLE	MALE RECEPTACLE LAYOUT 4 CONTACTS UTL CONNECTOR		
Scale	1/1	General linear Tolerances: ± 0,3	NPRDS / PROJECT UTL
		WWW.SOURIAU.COM	This document is the property of SOURIAU. It must not be reproduced or communicated without permission.
FORMAT	A2	SOURIAU DRG N° UTL1-0007A-C01	SHEET 1/1

NOT EXPORT CONTROLLED

X-ON Electronics

Largest Supplier of Electrical and Electronic Components

Click to view similar products for [Standard Circular Connector](#) category:

Click to view products by [Sunbank](#) manufacturer:

Other Similar products are found below :

[5M2530B10P](#) [600259N006](#) [600273N007](#) [6134-336-13149](#) [6134-337-11149](#) [6134-337-2390](#) [6134-341-17149](#) [6280-4SG-516](#) [6280-7SG-3DC](#)
[6290](#) [6291A](#) [66200A-10](#) [680-SMG](#) [681-PMG](#) [CXS3102A14S2P](#) [CXS3102A181S](#) [7271-6SG-300](#) [7282-3PG-300-CH3](#) [75-474014-05S](#) [75-](#)
[474618-01S](#) [75-474618-04P](#) [75-474618-04S](#) [799539-000](#) [MI8-SE](#) [805-005-07NF11-19PC](#) [805-005-07NF15-7PA](#) [8280-4PG-516](#) [8280-7PG-](#)
[519](#) [8282-5PG-519](#) [836783-1](#) [MP-4102-25P-C](#) [862256-1](#) [864019-2](#) [866857-1](#) [867865-1](#) [PT01SP-14-18P](#) [PT08P-14-5S](#) [120-1833-000](#)
[QCM019PC2DC012B](#) [1-2069279-1](#) [121583-0217](#) [121667-0020](#) [129591AU](#) [1000B BULK](#) [RD10A16-19-P6CS051/1](#) [RD10A20-31-](#)
[P8CS051/1](#) [RD16A14-12-S6CS051/2](#) [1301240290](#) [1301240347](#) [1301860202](#) [1301240268](#)