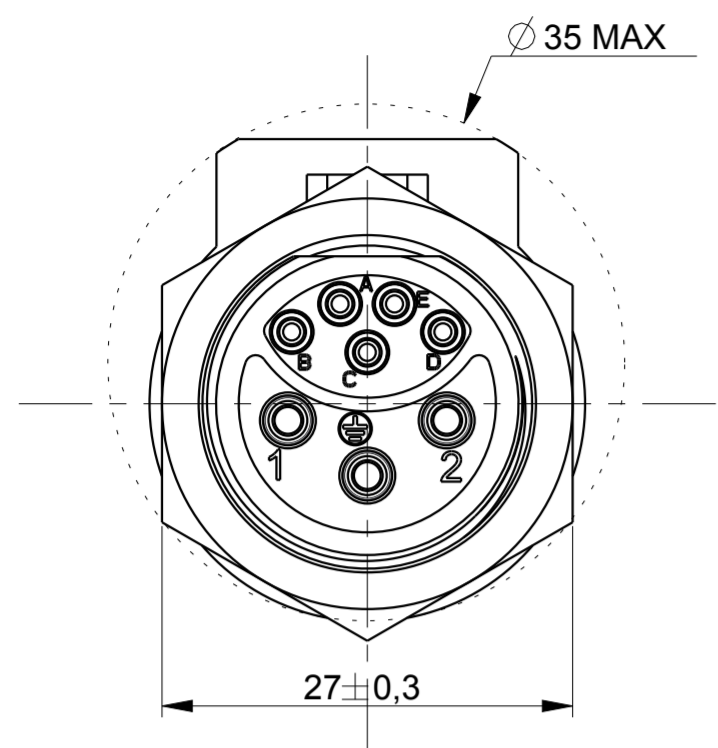
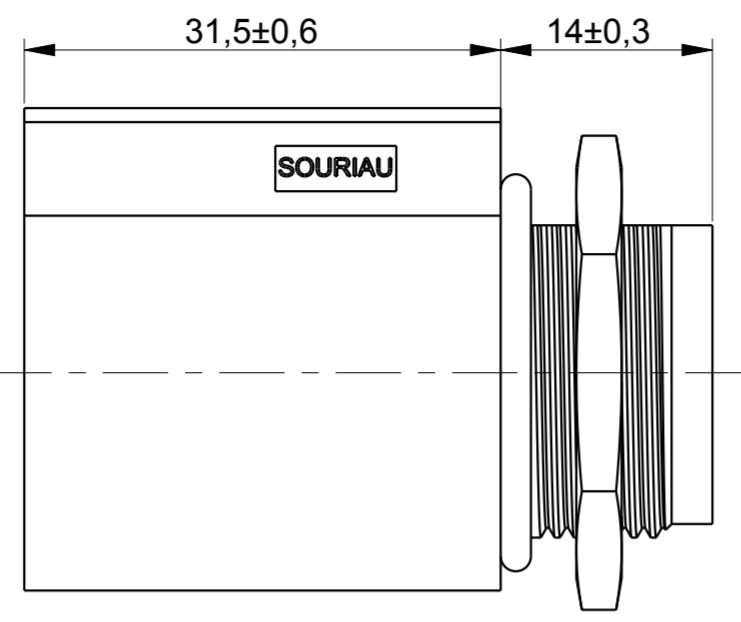
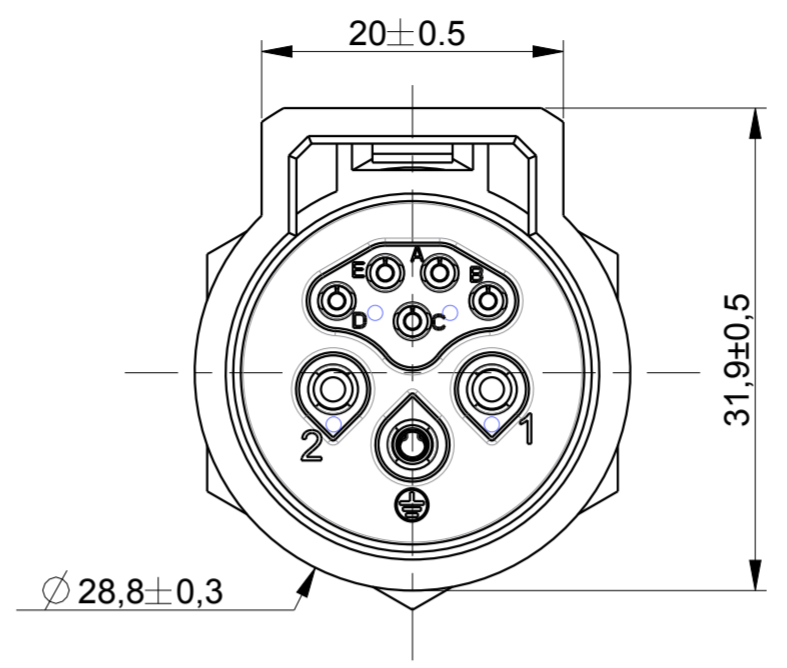


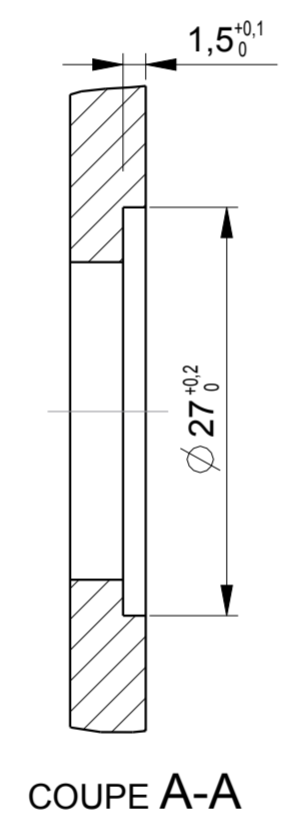
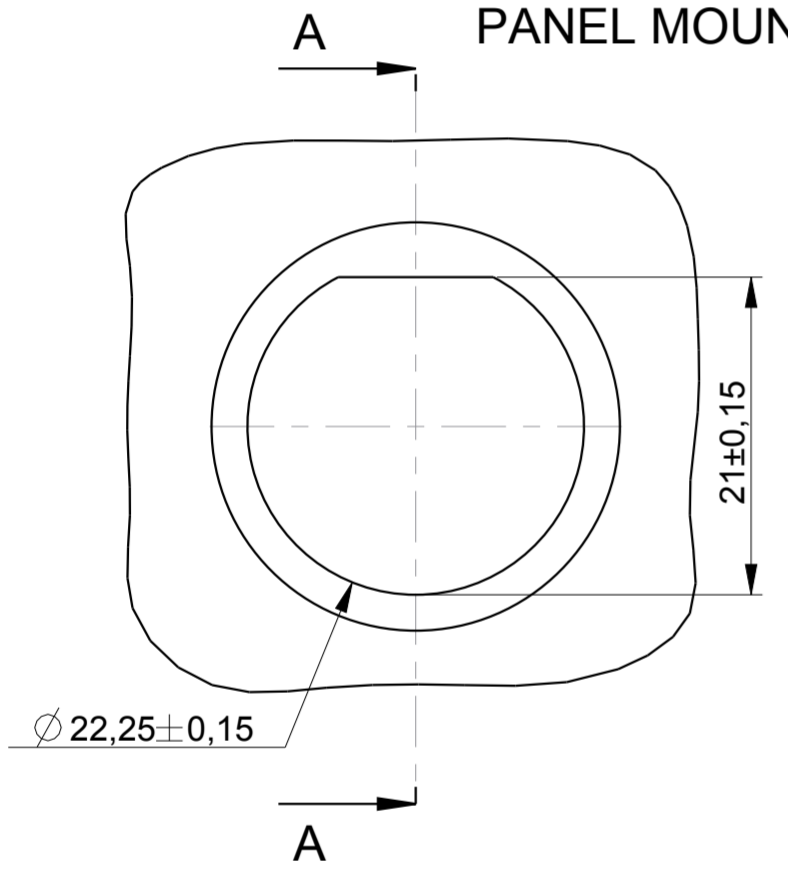
WIRING FACE



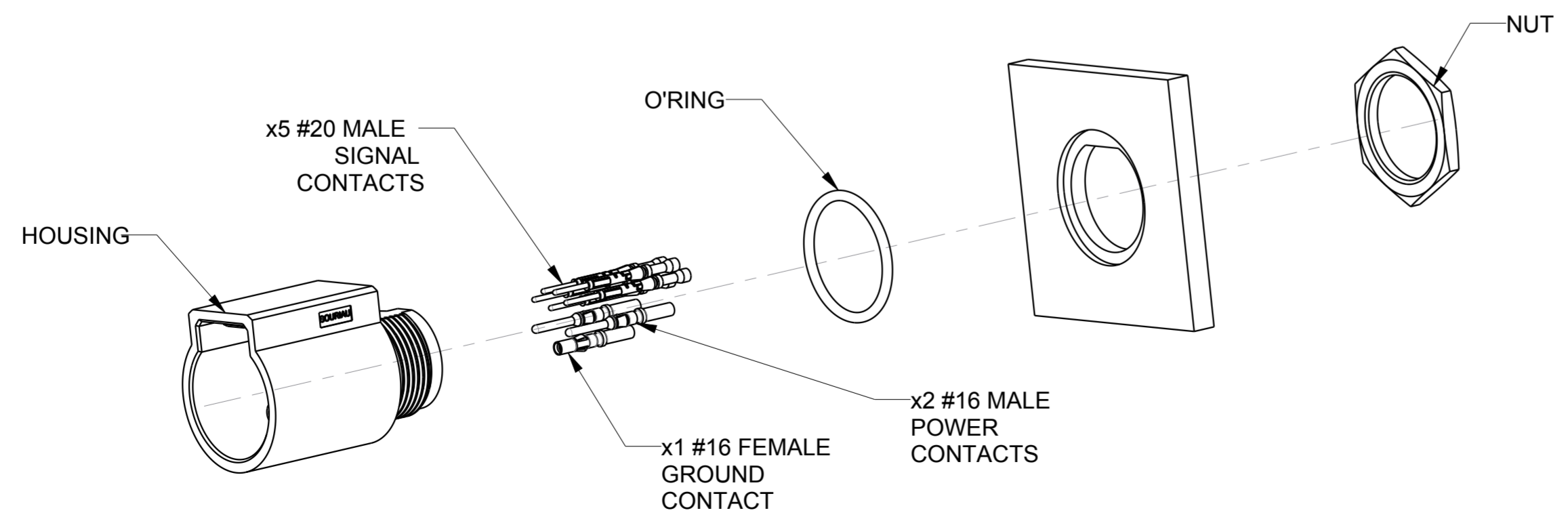
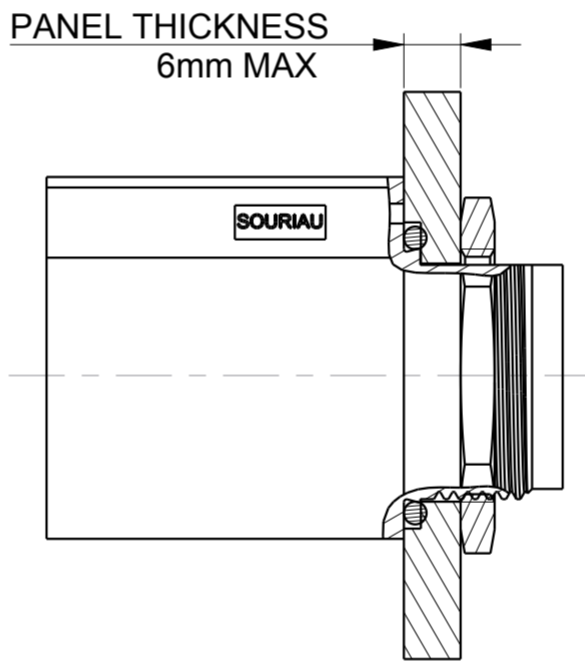
MATING FACE



PANEL MOUNTING



PANEL THICKNESS 6mm MAX



MATERIALS

HOUSING PA GF REINFORCED, BLACK COLOR
 O-RING NEOPREN
 NUT ALUMINIUM ALLOY BLACK ANODIZED

PERFORMANCES CHARACTERISTICS

MECHANICAL			
TEMPERATURE CLASS	IEC61984/UL1977		-40°C TO 105°C
DURABILITY	IEC61984		500 MATE / UNMATE CYCLES
SEALING IN MATED CONDITION	IEC60529		IP68 1BAR DURING 1WEEK
	DIN40050		IP69K
SEALING IN UNMATED CONDITIONS	IEC60529		IP67 WITH CAPS
POLLUTION DEGREE	IEC61984		4
CORROSION SALT SPRAY			MIN 1000H
FLAMMABILITY	UL94		MATERIAL RATING: 5VA
OUTDOOR SUITABILITY (UV RESIST)	UL746C		MATERIAL RATING: (f1)
SCOOP PROOF			
ELECTRICAL			
TOUCH PROOF	IEC60529		IP2X
POWER AND GROUND LINES			
NOMINAL CURRENT	UL1977		16A WITH AWG14 WIRE / 13A WITH AWG16 WIRE
NOMINAL CURRENT	IEC61984		16A WITH 2.5MM² WIRE / 13A WITH 1.5MM² WIRE AT 60°C
NOMINAL VOLTAGE			
NOMINAL VOLTAGE	UL1977		600V
	IEC61984		250VAC 4KV 4 FOR CLASS II
	IEC61984		500VAC 6KV 4 FOR CLASS I
SIGNAL CONTACT (a,b,c,d,e) LINES:			
NOMINAL VOLTAGE	IEC61984		48V AC
NOMINAL CURRENT	IEC61984		5A

ROHS COMPLIANT

NOTES

- COUNTERPART REFERENCE UTL PLUG
- CONNECTORS ARE DELIVERED AS PRE-ASSEMBLED KIT
- CONNECTOR BLOCKS ACCEPTS TRIM TRIO CONTACTS #16 AND #20, R"M" OR S"M" TYPES
- CONTACTS TO BE ORDERED SEPARATELY.
- WARNING: PHASE AND SIGNAL CONTACTS ARE MALE VERSION AND GROUND CONTACT IS FEMALE VERSION
- UNIT IN MM

Country	Jurisdiction & Control List
FR	NOT LISTED

P/N : UTL7122G1W5P

B	06/11/15	drawing format updated	
ISS	DATE	Latest modification - by:	LANDAIS.PE
	Designed by:	RAGAIN.E.M	Date:02/10/14
TITLE		MALE NUT RECEPTACLE SIZE 12 LAYOUT 8 CONTACTS	
		UTL CONNECTOR	
Scale	1/1	General linear Tolerances: ± --	NPRDS / PROJECT UTL
SOURIAU		WWW.SOURIAU.COM	
This document is the property of SOURIAU It must not be reproduced or communicated without permission			
FORMAT	A2	SOURIAU DRG N° UTL1-0064A-C01	SHEET 1/1

X-ON Electronics

Largest Supplier of Electrical and Electronic Components

Click to view similar products for [Standard Circular Connector](#) category:

Click to view products by [Sunbank](#) manufacturer:

Other Similar products are found below :

[5M2530B10P](#) [600259N006](#) [600273N007](#) [6134-336-13149](#) [6134-337-11149](#) [6134-337-2390](#) [6134-341-17149](#) [6280-4SG-516](#) [6280-7SG-3DC](#)
[6290](#) [6291A](#) [66200A-10](#) [680-SMG](#) [681-PMG](#) [CXS3102A14S2P](#) [CXS3102A181S](#) [7251-5SG-300](#) [7271-6SG-300](#) [7282-3PG-300-CH3](#) [75-](#)
[474618-01S](#) [75-474618-04P](#) [75-474618-04S](#) [799539-000](#) [MI8-SE](#) [805-005-07NF11-19PC](#) [805-005-07NF15-7PA](#) [8280-4PG-516](#) [8280-7PG-](#)
[519](#) [8282-5PG-519](#) [836783-1](#) [MP-4102-25P-C](#) [862256-1](#) [864019-2](#) [866857-1](#) [867865-1](#) [PT01SP-14-18P](#) [PT08P-14-5S](#) [PTSF06SE-14-12S](#)
[120-1833-000](#) [QCM019PC2DC012B](#) [1-2069279-1](#) [121583-0217](#) [121667-0020](#) [129591AU](#) [1000B BULK](#) [RD10A16-19-P6CS051/1](#)
[RD10A20-31-P8CS051/1](#) [RD16A14-12-S6CS051/2](#) [1301240290](#) [1301240347](#) [1301860202](#)