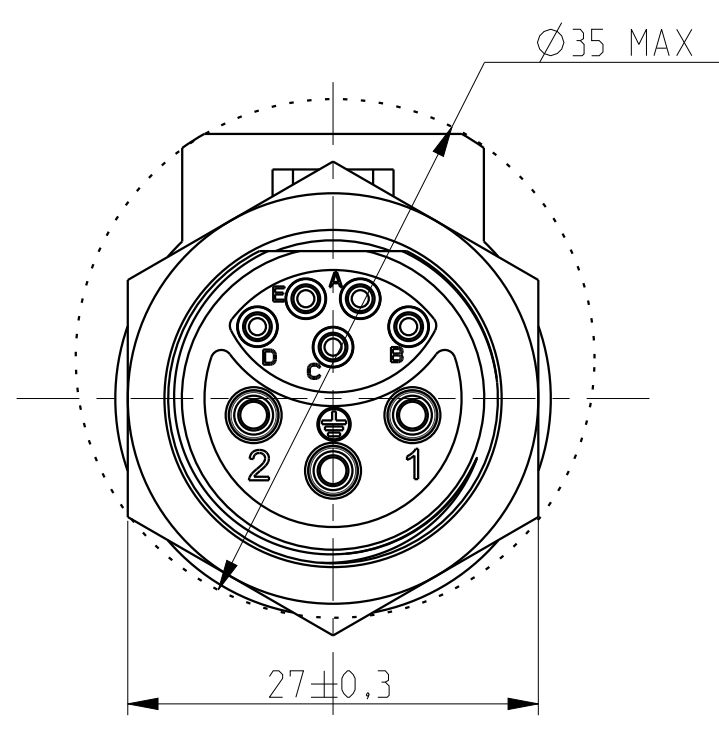


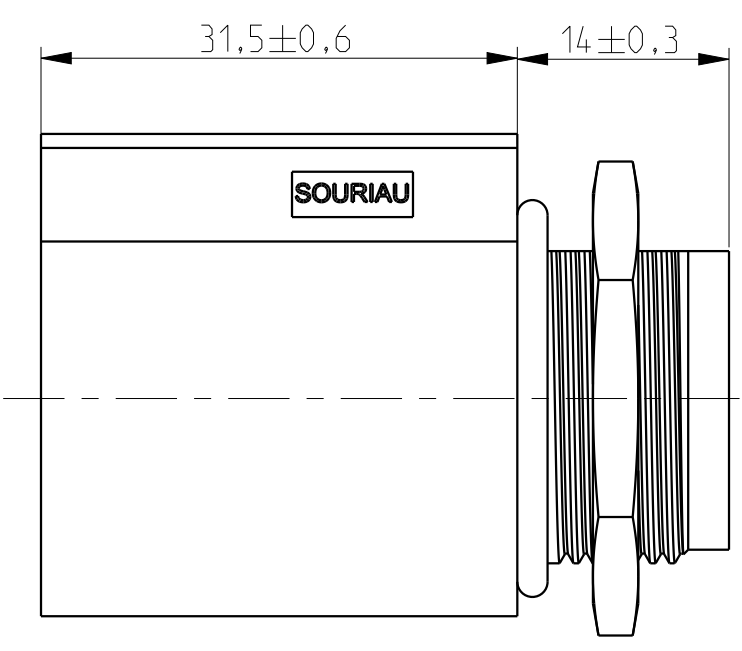
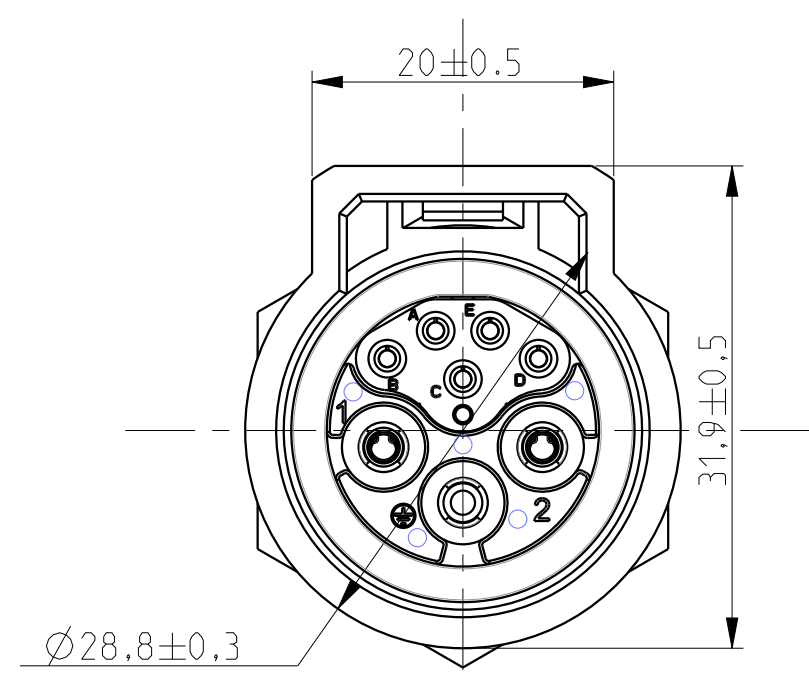
B.2: Validé

MASS ± 5% 24.87 g

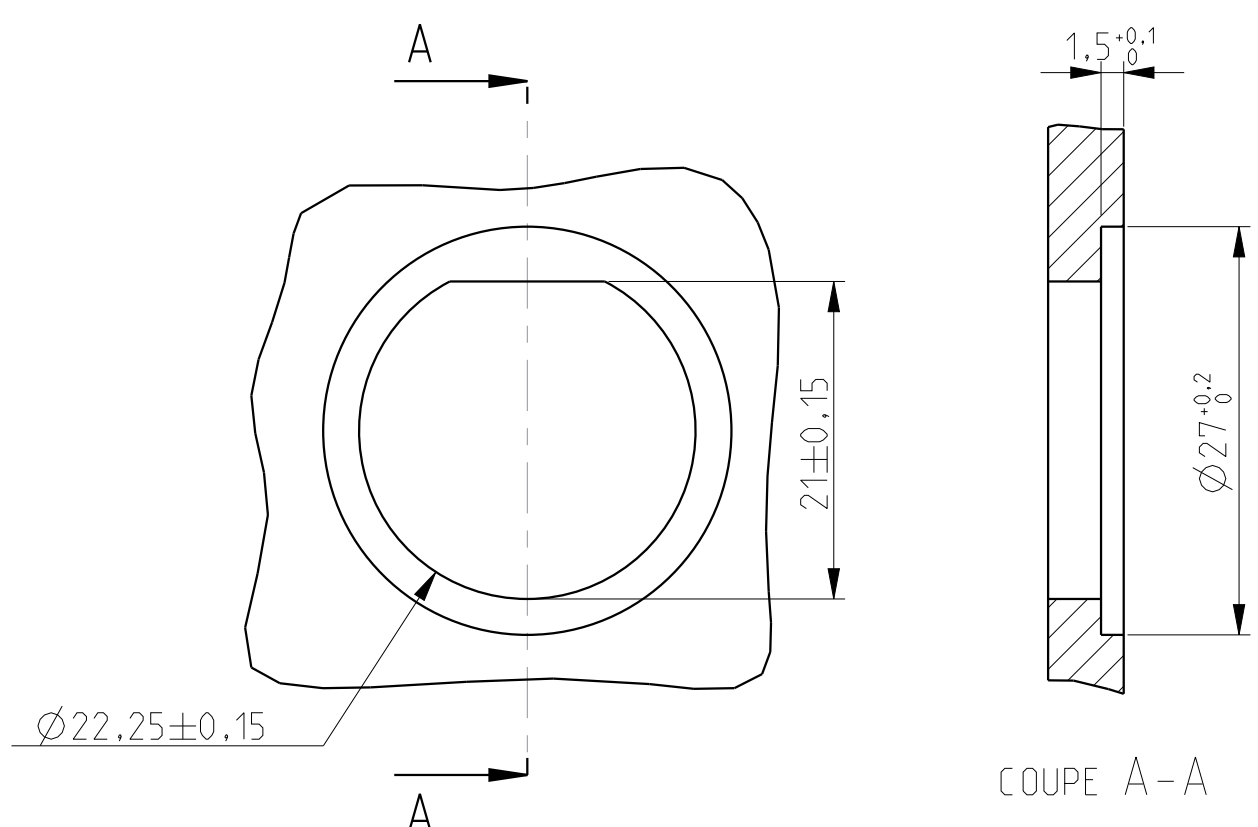
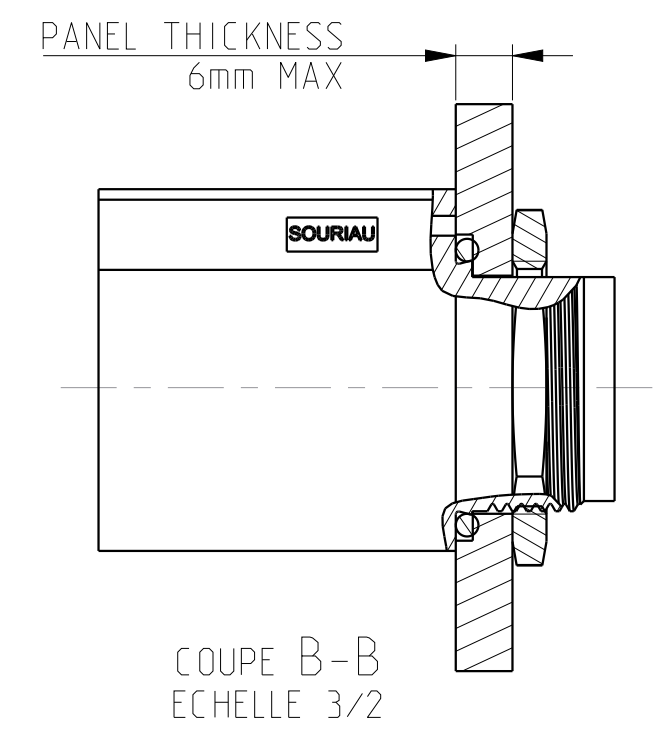
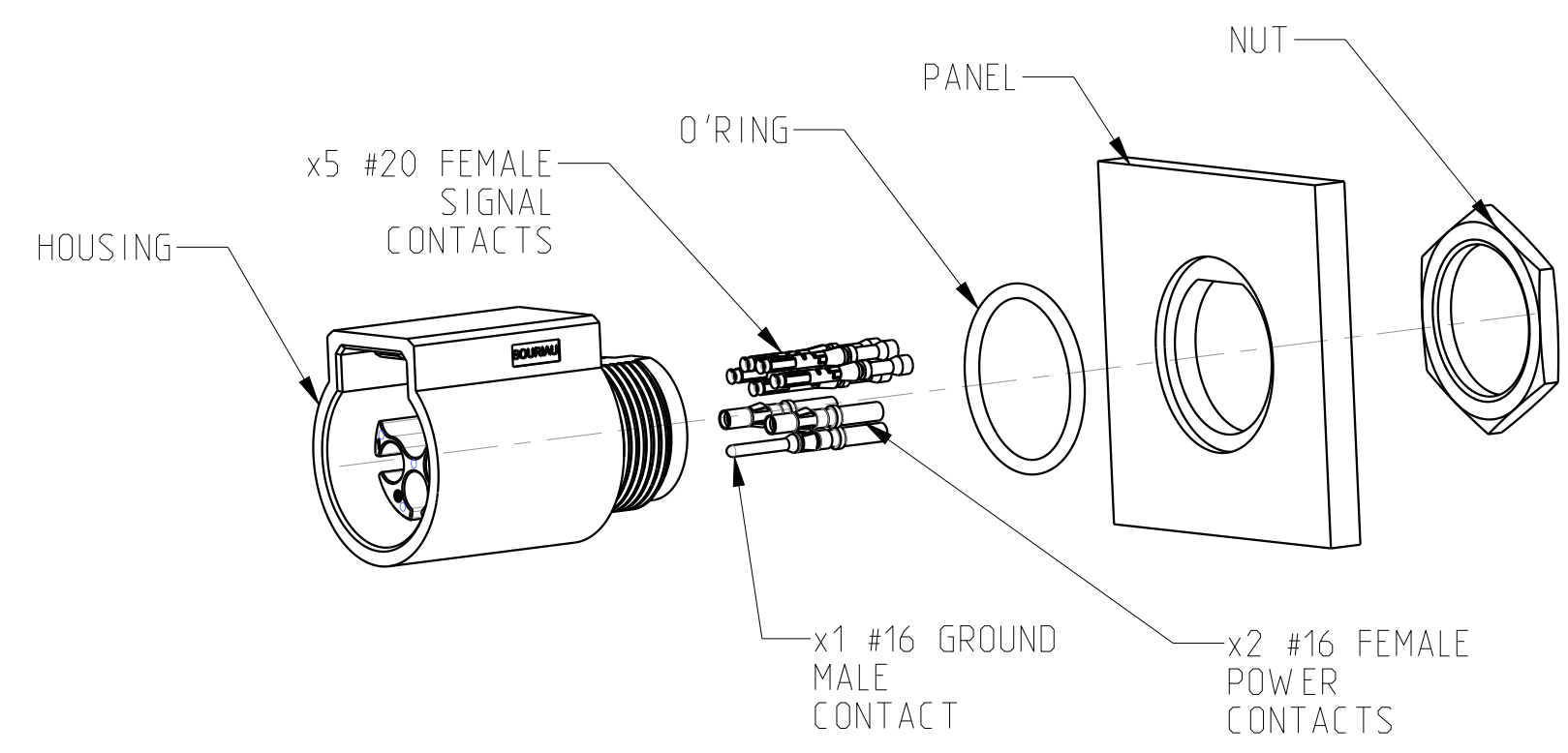
### WIRING FACE



### MATING FACE



ECHELLE 2/1



### MATERIALS

HOUSING PA GF REINFORCED, BLACK COLOR  
O'RING NEOPREN  
NUT ALUMINIUM ALLOY BLACK ANODIZED

### PERFORMANCES CHARACTERISTICS

MECHANICAL			
TEMPERATURE CLASS	IEC61984/UL1977	-40°C TO 105°C	
DURABILITY	IEC61984	500 MATE / UNMATE CYCLES	
SEALING IN MATED CONDITION	IEC60529	IP68 1BAR DURING 1WEEK	
	DIN40050	IP69K	
SEALING IN UNMATED CONDITIONS	IEC60529	IP67 WITH CAPS	
POLLUTION DEGREE	IEC61984	4	
CORROSION SALT SPRAY		MIN 1000H	
FLAMMABILITY	UL94	MATERIAL RATING: 5VA	
OUTDOOR SUITABILITY (UV RESIST)	UL746C	MATERIAL RATING: (F1)	
SCOOP PROOF			
ELECTRICAL			
TOUCH PROOF	IEC60529	IP2X	
POWER AND GROUND LINES			
NOMINAL CURRENT	UL1977	16A WITH AWG14 WIRE / 13A WITH AWG16 WIRE	
NOMINAL CURRENT	IEC61984	16A WITH 2.5MM <sup>2</sup> WIRE / 13A WITH 1.5MM <sup>2</sup> WIRE AT 60°C	
NOMINAL VOLTAGE	UL1977	600V	
NOMINAL VOLTAGE	IEC61984	250VAC 4KV 4 FOR CLASS II	
	IEC61984	500VAC 6KV 4 FOR CLASS I	
SIGNAL CONTACT (a,b,c,d,e) LINES:			
NOMINAL VOLTAGE	IEC61984	48V AC	
NOMINAL CURRENT	IEC61984	5A	

ROHS COMPLIANT

### NOTES

- COUNTERPART REFERENCE UTL PLUG
- CONNECTORS ARE DELIVERED AS PRE-ASSEMBLED KIT
- CONNECTOR BLOCKS ACCEPTS TRIM TRIO CONTACTS #16 AND #20. R\*M\* OR S\*M\* TYPES
- CONTACTS TO BE ORDERED SEPARATELY.
- WARNING: PHASE AND SIGNAL CONTACTS ARE FEMALE VERSION AND GROUND CONTACT IS MALE VERSION
- UNIT IN MM

Country	Jurisdiction & Control List
FR	NOT LISTED

P/N : UTL7122G1W 5S

B	06/11/15	drawing format updated	--
ISS	DATE	Latest modification - by:	LANDAIS.PE MOD N°
Designed by:		RAGAINÉ.M Date:02/10/14	CUSTOMER DRAWING
TITLE		FEMALE NUT RECEPTACLE SIZE 12 LAYOUT 8 CONTACTS UTL CONNECTOR	
Scale	1/1	General Linear Tolerances: ± --	NPRDS / PROJECT UTL
SOURIAU		WWW.SOURIAU.COM	This document is the property of SOURIAU. It must not be reproduced or communicated without permission.
FORMAT	A2	SOURIAU DRG N° UTL1-0065A-C01	SHEET 1 / 1

## X-ON Electronics

Largest Supplier of Electrical and Electronic Components

*Click to view similar products for [Standard Circular Connector](#) category:*

*Click to view products by [Sunbank](#) manufacturer:*

Other Similar products are found below :

[5M2530B10P](#) [600259N006](#) [600273N007](#) [6134-336-13149](#) [6134-337-11149](#) [6134-337-2390](#) [6134-341-17149](#) [6280-4SG-516](#) [6280-7SG-3DC](#)  
[6290](#) [6291A](#) [66200A-10](#) [680-SMG](#) [681-PMG](#) [CXS3102A14S2P](#) [CXS3102A181S](#) [7271-6SG-300](#) [7282-3PG-300-CH3](#) [75-474014-05S](#) [75-](#)  
[474618-01S](#) [75-474618-04P](#) [75-474618-04S](#) [799539-000](#) [MI8-SE](#) [805-005-07NF11-19PC](#) [805-005-07NF15-7PA](#) [8280-4PG-516](#) [8280-7PG-](#)  
[519](#) [8282-5PG-519](#) [836783-1](#) [MP-4102-25P-C](#) [862256-1](#) [864019-2](#) [866857-1](#) [867865-1](#) [PT01SP-14-18P](#) [PT08P-14-5S](#) [120-1833-000](#)  
[QCM019PC2DC012B](#) [1-2069279-1](#) [121583-0217](#) [121667-0020](#) [129591AU](#) [1000B BULK](#) [RD10A16-19-P6CS051/1](#) [RD10A20-31-](#)  
[P8CS051/1](#) [RD16A14-12-S6CS051/2](#) [1301240290](#) [1301240347](#) [1301860202](#) [1301240268](#)