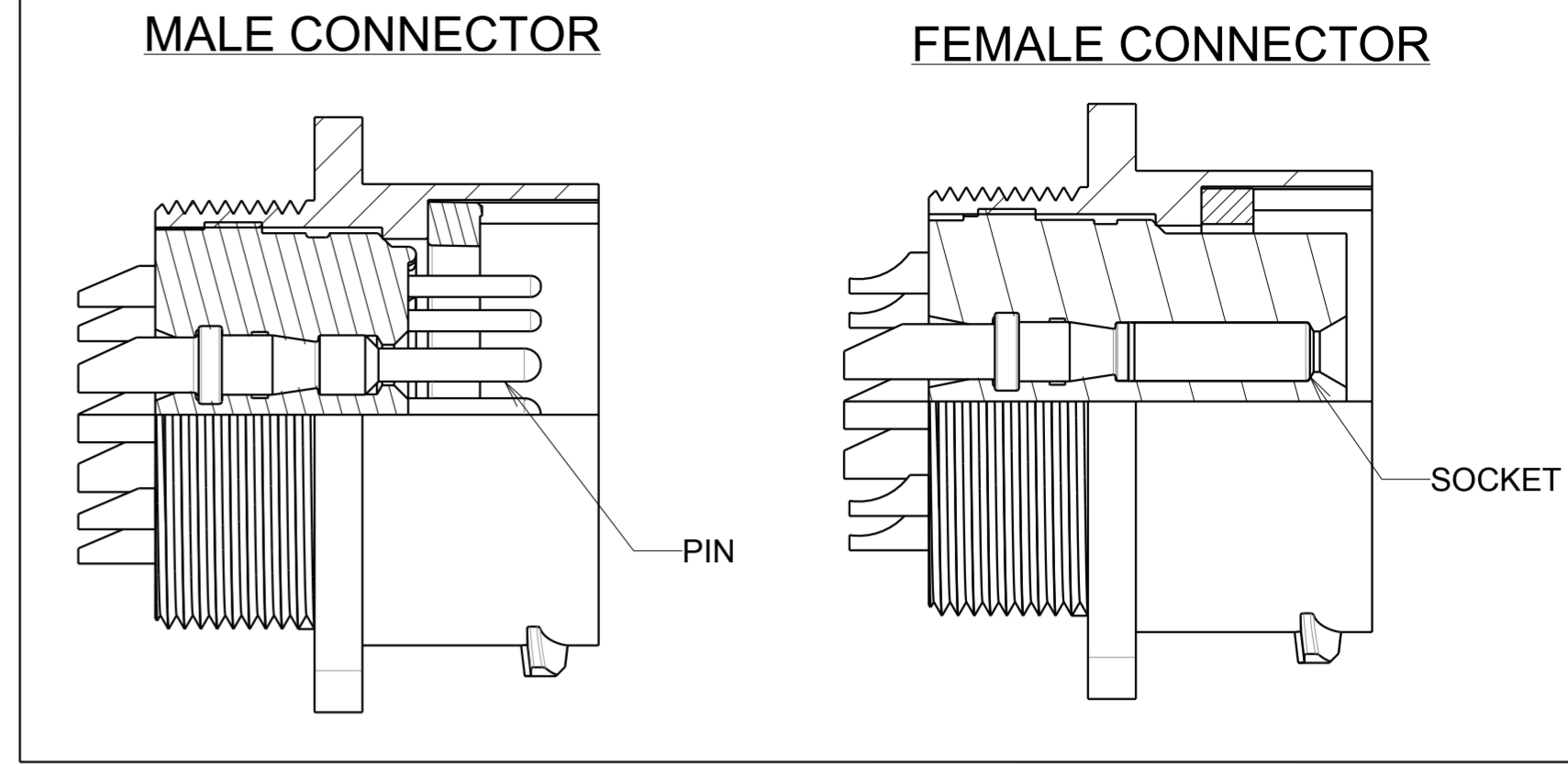




SHELL SIZE	A ±0.25	B ±0.25	C Maxi	D ±0.15	ØE ±0.15	F Maxi	G ±0.25	H ±0.10	Thread
8	21.00	15.10	21.50	2.30	11.90	11.70	15.10	12.50	7/16 28 UNEF Class 2A
10	23.80	18.30	21.50	2.30	14.90	11.70	18.30	15.10	9/16 24 UNEF Class 2A
12	26.20	20.60	21.50	2.30	18.95	11.70	20.60	18.20	11/16 24 UNEF Class 2A
14	28.60	23.00	21.50	2.30	22.15	11.70	23.00	21.40	13/16 20 UNEF Class 2A



UTS0 14 E 12 P . XX

Square flange receptacle UTS

Shell size

E = Handsolder contacts

Insert arrangement (See table)

P = Male contact

S = Female contact

Orientations

Normal (no digit), W, X, Y, Z = different orientations

Specification

MATERIAL :

Shell:PBT UL94 V-0 Black color
 Insert:Polychloroprene
 Seal gasket :Sealing IP68/69K : Silicone
 O'seal : Nitril
 Contact: brass + gold plated

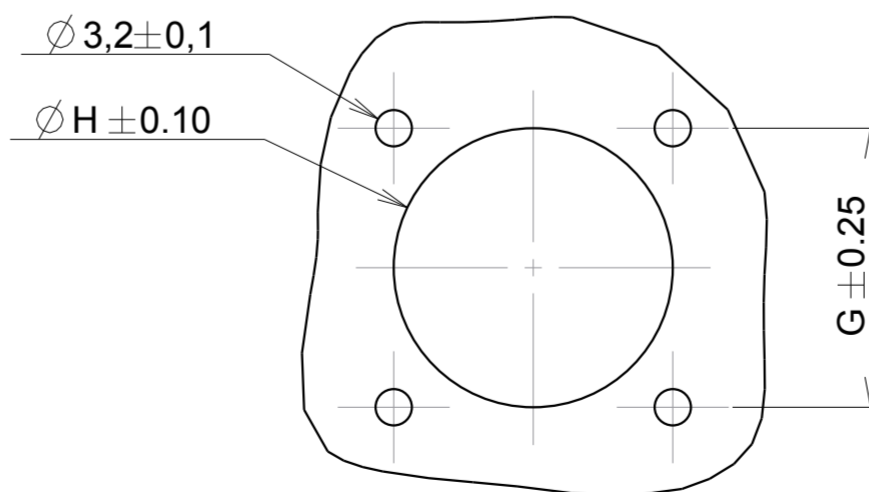
PERFORMANCE CHARACTERISTICS :

Operating temperature:-40° C up to 105° C
 Insulation resistance:5000 MΩ min
 Test potential:1500Vrms for #20 layout
 Corrosion salt spray:500 hours
 Durability:250 matings and unmatings
 Sealing in mated and unmated conditions:
 -IP68 1 bar during 1 week : immersion under 10 m of water.
 (IEC 60529)
 -IP69K : exposure to high pressure water of cleaning equipment(DIN 40050)

NOTE:

Insert arrangements : refer to C144-UTS1-A

PANEL CUT OUT



Country	Jurisdiction & Control List
FR	NOT LISTED

P/N : SEE TABLE

E	02/11/2017	Updating shell material	21774A
ISS	DATE	Latest modification - by:	COURTOIS L. MOD N°
Designed by: SORIN V.		Date: 26/10/07	CUSTOMER DRAWING
TITLE		SQUARE FLANGE RECEPTACLE UTS HI SEAL	
Scale	3/1	General linear Tolerances: ± 0.1	NPRDS / PROJECT UTS
SOURIAU		WWW.SOURIAU.COM	
This document is the property of SOURIAU It must not be reproduced or communicated without permission			
FORMAT	SOURIAU DRG N° C044-UTS1-A		SHEET 1 / 1

SOURIAU shall not be liable for any non-conformity or damage due to a use of the Products which does not comply with the Specifications issued by either of the Parties or by a third party (professional recommendation, technical notice.)

X-ON Electronics

Largest Supplier of Electrical and Electronic Components

Click to view similar products for [Standard Circular Connector](#) category:

Click to view products by [Sunbank](#) manufacturer:

Other Similar products are found below :

[C015](#) [10F006](#) [001](#) [1](#) [5M2530B10P](#) [600259N006](#) [600273N007](#) [600432N009](#) [6280-2PG-519](#) [6280-3PG-311](#) [6280-3SG-311](#) [6280-7SG-3DC](#)
[6280-7SG-522](#) [6282-5PG-311](#) [6282-6PG-519](#) [6282-8SG-311](#) [6283-11](#) [6283-15](#) [6290](#) [6382-2PG-311](#) [6382-2PG-3DC](#) [6382-2SG-321](#) [6382-2SG-3DC](#) [6382-4SG-516](#) [67-03E20-37P](#) [681-PMG](#) [CXS3102A14S2P](#) [CXS3102A181S](#) [CXS3106A14S6S](#) [MB12P-1](#) [MB12R-6](#) [7251-2PG-300](#) [7251-2SG-300](#) [7251-4PG-300](#) [7251-4SG-300](#) [7251-5PG-300](#) [7251-5SG-300](#) [7251-6SG-300](#) [7251-7PG-300](#) [7251-8PG-300](#) [7271-6SG-300](#) [7282-3PG-300-CH3](#) [73000005663](#) [75-190216-08S](#) [75-190218-10P](#) [75-474118-10P](#) [75-474618-01S](#) [75-474620-07P](#) [799539-000](#) [MI8-SE](#) [80-190222-18P](#) [805-005-07NF11-19PC](#) [805-005-07NF15-7PA](#)