

MATERIAL :

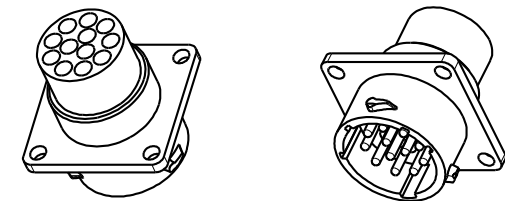
Shell: Polyamid UL94 V-0
O-seal: Sealing IP68/69K : viton

PERFORMANCE CHARACTERISTICS :

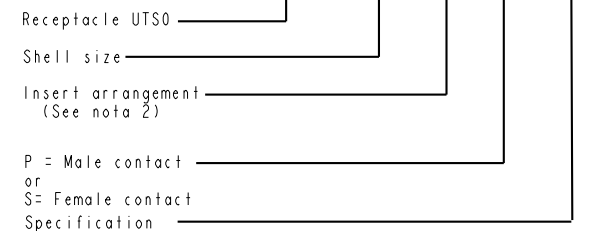
Operating temperature: -40°C up to 105°C
Insulation resistance: 5000 MΩ min
Test potential: 2000 Vrms for #16 layout
Corrosion salt spray: 500 hours
Durability: 250 matings and unmatings
Sealing in mated conditions:
-IP68 1 bar during 1 week : immersion under 10 m of water. (IEC 60529)
-IP69K : exposure to high pressure water of cleaning equipment (DIN 40050)

NOTES :

-1-Contact to be ordered separately : refer to TRIM TRIO catalog
-2-Insert arrangements: refer to :
UTO-CONTACT-L-C01 (Male insulator)
UTO-CONTACT-L-C02 (Female insulator)



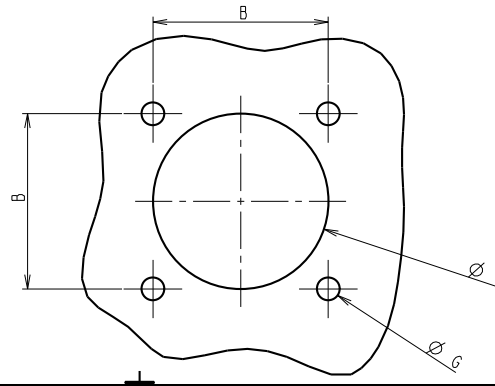
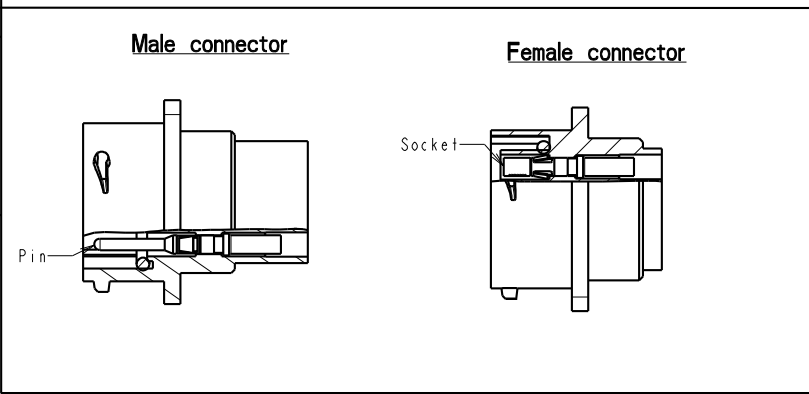
UTS0 14 12 P XX



SHELL SIZE	ARRANGEMENT	THREAD	ØH±0.15	C MAX.		D ±0.2	E±0.15	A±0.25	B±0.25	ØG±0.1	ØP±0.1	K±0.2	ØF±0.2	ØJ MAX
				MALE	FEMALE									
10	4	9/16 24 UNEF CLASS 2A	15.00	31.75	24.2	11.35	2.30	23.80	18.30	3.2	15.1	21.2	10.9	14.4
12	8	11/16 24 UNEF CLASS 2A	19.00	31.75	24.2	11.35	2.30	26.20	20.6	3.2	18.2	21.2	13.8	17.6
14	12	13/16 20 UNEF CLASS 2A	22.20	31.75	24.2	11.35	2.30	28.60	23.00	3.2	21.4	21.2	17	20.8
18	23	1 1/16 18 UNEF CLASS 2A	28.50	31.75	24.2	11.35	2.50	33.30	27.00	3.2	27.8	21.2	22.4	27.1

Dimension Ø P for front panel mounting
PANEL CUT OUT

CUSTOMER DRAWING



C 17/02/09		Add female version		--	
ISS	DATE	Latest modification - by: RAGINE M.		MOD N°	
Designed by: ROUILLARD Ch. Date: 07/11/08		Type of drawing: CUSTOMER			
Checked by: SEE DISTRIBUTION LIST		Date: SEE DISTRIBUTION LIST			
TITLE		RECEPTACLE TYPE 0 UTS CONNECTOR			
Scale	General angular	Tolerances: ± 1°		MATERIAL --	
1/1	General linear		General machining	Geometrical Tolerances	PROJECT
Tolerances ±0.1		Ra 3.2		See NF E 04-552	UTS1
SOURIAU		This document is the property of		SOURIAU	
Route Nationale 23		11 must not be reproduced or		SOURIAU	
72410 CHAMPAGNE		distributed without the written		SOURIAU	
Tel. (33)02.43.54.35.00		consent of SOURIAU		SOURIAU	
FORMAT	SOURIAU DRG N°		SHEET		
A2	C063-UTS1-A		1 / 1		

NOT EXPORT CONTROLLED

X-ON Electronics

Largest Supplier of Electrical and Electronic Components

Click to view similar products for [Standard Circular Connector](#) category:

Click to view products by [Sunbank](#) manufacturer:

Other Similar products are found below :

[C015](#) [10F006](#) [001](#) [1](#) [5M2530B10P](#) [600259N006](#) [600273N007](#) [600432N009](#) [6280-2PG-519](#) [6280-3PG-311](#) [6280-3SG-311](#) [6280-7SG-3DC](#)
[6280-7SG-522](#) [6282-5PG-311](#) [6282-6PG-519](#) [6282-8SG-311](#) [6283-11](#) [6283-15](#) [6290](#) [6382-2PG-311](#) [6382-2PG-3DC](#) [6382-2SG-321](#) [6382-2SG-3DC](#) [6382-4SG-516](#) [67-03E20-37P](#) [681-PMG](#) [CXS3102A14S2P](#) [CXS3102A181S](#) [CXS3106A14S6S](#) [MB12P-1](#) [MB12R-6](#) [7251-2PG-300](#) [7251-2SG-300](#) [7251-4PG-300](#) [7251-4SG-300](#) [7251-5PG-300](#) [7251-5SG-300](#) [7251-6SG-300](#) [7251-7PG-300](#) [7251-8PG-300](#) [7271-6SG-300](#) [7282-3PG-300-CH3](#) [73000005663](#) [75-190216-08S](#) [75-190218-10P](#) [75-474118-10P](#) [75-474618-01S](#) [75-474620-07P](#) [799539-000](#) [MI8-SE](#) [80-190222-18P](#) [805-005-07NF11-19PC](#) [805-005-07NF15-7PA](#)