

**MATERIAL :**

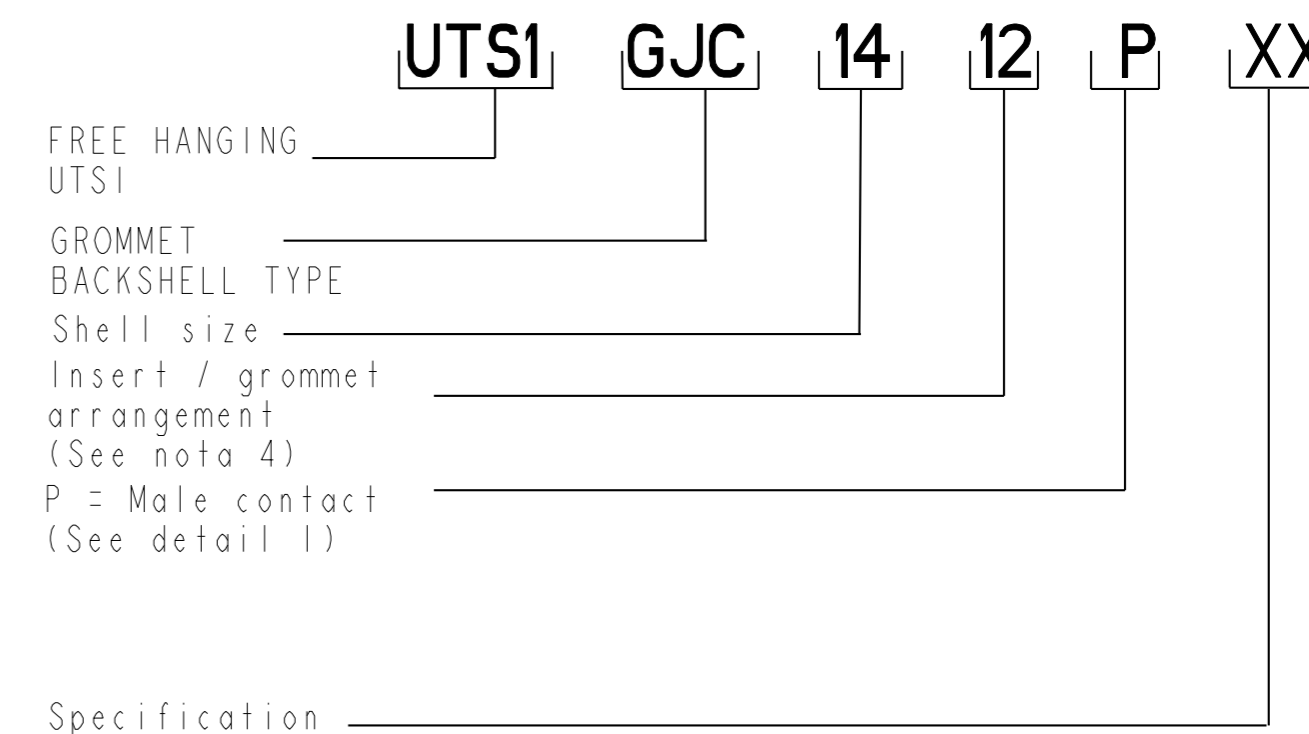
Shell: Polyamid UL94 V-0  
 Insert: Polyamid UL94 V-0  
 Seal gasket : Sealing IP68/69K : Silicone  
 O'ring: nitril  
 Backshell body : Polyamid UL94 V-0  
 Backshell nut: Polyamid UL94 V-0  
 Grommet : Silicone

**PERFORMANCE CHARACTERISTICS :**

Operating temperature: -40°C up to 105°C  
 Insulation resistance: 5000 MΩmin  
 Test potential: 2000 Vrms for #16 layout and 1500Vrms for #20 layout  
 Corrosion salt spray: 500 hours  
 Durability: 250 matings and unmatings  
 Sealing in mated conditions:  
 - IP68 1 bar during 1 week : immersion under 10 m of water. (IEC 60529)  
 - IP69K : exposure to high pressure water of cleaning equipment (DIN 40050)

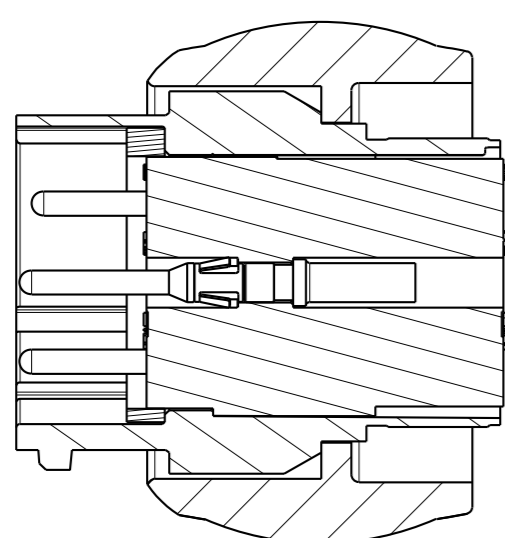
**NOTES :**

- 1- Receptacle, backshell and the reducing seal are delivered as a kit. The backshell already includes the standard seal.
- 2- Contact to be ordered separately : refer to TRIM TRIO catalog
- 3- Colored ring to be ordered separately refer to customer drawing C006-UTSI-A
- 4- developed Grommet arrangements : refer to C042-UTSI-A

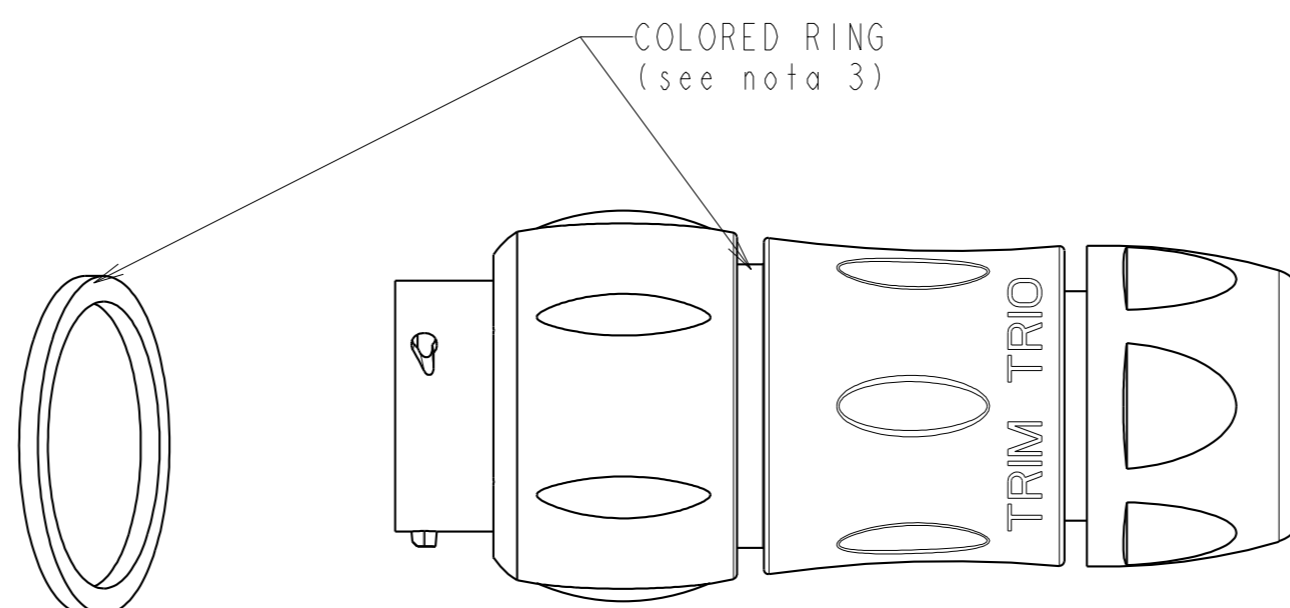


SHELL SIZE	LAYOUT	ØA±0.15	B±0.15	L MINI.	HEXAGON D	CAPACITY C		E MAX
						STANDARD SEAL	REDUCING SEAL	
14	SEE NOTE 4	22.20	34.60	80.5	34.90	7 / 14	5 / 12	37.6
12	SEE NOTE 4	19.00	29.70	74.50	31.80	5 / 12	3 / 9	33.5
10	SEE NOTE 4	14.90	26.20	70.75	27.00	2.5 / 8	1.5 / 5	30

**MALE CONNECTOR**  
(detail 1)



COLORED RING  
(see nota 3)



CUSTOMER DRAWING

q	12/02/08	--	New drawing	--
ISS	DATE	Latest modification - by: RAGAINÉ M.		MOD N°
Designed by: <b>RAGAINÉ M.</b>		Date: 31/05/07		CUSTOMER DRAWING
TITLE		FREE HANGING WITH GROMMET UTS CONNECTOR		
Scale	2/1	General linear Tolerances: ±0.2	NPRDS / PROJECT <b>UTSI</b>	
		WWW.SOURIAU.COM		This document is the property of SOURIAU. It must not be reproduced or communicated without permission.
FORMAT	A2	SOURIAU DRG N° C049-UTSI-A		SHEET

NOT EXPORT CONTROLLED

## X-ON Electronics

Largest Supplier of Electrical and Electronic Components

*Click to view similar products for [Standard Circular Connector](#) category:*

*Click to view products by [Sunbank](#) manufacturer:*

Other Similar products are found below :

[C015](#) [10F006](#) [001](#) [1](#) [5M2530B10P](#) [600259N006](#) [600273N007](#) [600432N009](#) [6280-2PG-519](#) [6280-3PG-311](#) [6280-3SG-311](#) [6280-7SG-3DC](#)  
[6280-7SG-522](#) [6282-5PG-311](#) [6282-6PG-519](#) [6282-8SG-311](#) [6283-11](#) [6283-15](#) [6290](#) [6382-2PG-311](#) [6382-2PG-3DC](#) [6382-2SG-321](#) [6382-2SG-3DC](#) [6382-4SG-516](#) [67-03E20-37P](#) [681-PMG](#) [CXS3102A14S2P](#) [CXS3102A181S](#) [CXS3106A14S6S](#) [MB12P-1](#) [MB12R-6](#) [7251-2PG-300](#) [7251-2SG-300](#) [7251-4PG-300](#) [7251-4SG-300](#) [7251-5PG-300](#) [7251-5SG-300](#) [7251-6SG-300](#) [7251-7PG-300](#) [7251-8PG-300](#) [7271-6SG-300](#) [7282-3PG-300-CH3](#) [73000005663](#) [75-190216-08S](#) [75-190218-10P](#) [75-474118-10P](#) [75-474618-01S](#) [75-474620-07P](#) [799539-000](#) [MI8-SE](#) [80-190222-18P](#) [805-005-07NF11-19PC](#) [805-005-07NF15-7PA](#)