

MATERIAL :

Inset: Polyamid UL94 V0
 Shell : Polyamid UL94 V-0
 Seal gasket : Sealing IP68/69K : Silicone
 O'ring : Nitril

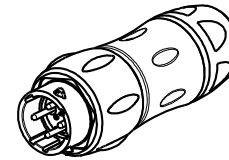
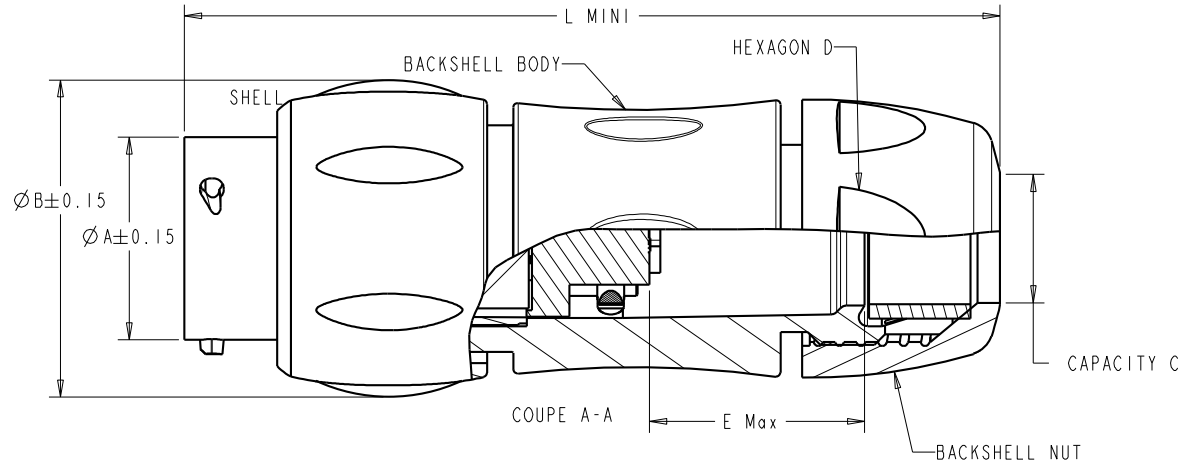
PERFORMANCE CHARACTERISTICS :

Operating temperature: -40°C up to 105°C
 Insulation resistance: 5000 M Ω min
 Contact resistance: < 3 m Ω
 Test potential: 2000 Vrms for #16 layout
 Corrosion salt spray: 500 hours
 Durability: 250 matings and unmatings
 Sealing in mated conditions:
 -IP68 1 bar during 1 week : immersion under 10 m of water.
 (IEC 60529)
 -IP69K : exposure to high pressure water of cleaning
 equipment(DIN 40050)

NOTES :

- 1-Colored ring to be order separately refer to customer drawing C005-UTSI-A
- 2-Insert arrangements : refer to : C007-UTSI-A(Male insulator)

MATING FACE



SHELL SIZE	LAYOUT	ØA±0.15	ØB±0.2	L MINI	E Max Male	HEXAGON D	CAPACITY C	
							STANDARD	REDUCING
12	4	19.00	29.70	74	21.5	24	5 / 12	3 / 9
14	7	22.20	34.60	78.5	26.5	26	7 / 14	5 / 12

UTSI **JC** **X** **X** **SCR**

Receptacle UTSI

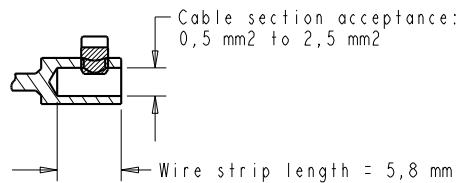
Shell size : 12/14

Insert arrangement (See nota 2)

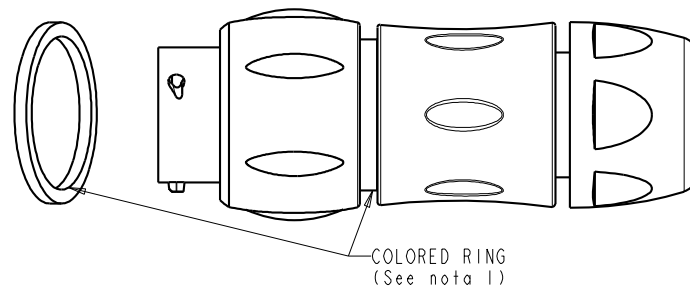
P = Male contact

SCR = Screw termination

DETAIL SCREW CONTACT



OPTIONAL PART



COLORED RING
(See nota 1)

CUSTOMER DRAWING

b	26/10/09	ISS	DATE	26/10/09	20772
Torque screw advised modification		Latest modification - by: RAGAINÉ M.		MOD N°	
Designed by: RAGAINÉ M.		Date: 23/04/07		CUSTOMER DRAWING	
TITLE IN-LINE CONNECTOR UTS CONNECTOR					
Scale	3.000	General linear tolerances ±0.2		NPRDS / PROJECT UTSI	
SOURIAU Cable Connection Technology		WWW.SOURIAU.COM		This document is the property of SOURIAU It must not be reproduced or distributed without SOURIAU CONTROL	
FORMAT	A2	SOURIAU DRG N° CO19-UTSI-B		SHEET 1 / 1	

Torquing screw advised : 20 N.cm

X-ON Electronics

Largest Supplier of Electrical and Electronic Components

Click to view similar products for [Standard Circular Connector](#) category:

Click to view products by [Sunbank](#) manufacturer:

Other Similar products are found below :

[5M2530B10P](#) [600259N006](#) [600273N007](#) [6134-336-13149](#) [6134-337-11149](#) [6134-337-2390](#) [6134-341-17149](#) [6280-4SG-516](#) [6280-7SG-3DC](#)
[6290](#) [6291A](#) [66200A-10](#) [680-SMG](#) [681-PMG](#) [CXS3102A14S2P](#) [CXS3102A181S](#) [7271-6SG-300](#) [7282-3PG-300-CH3](#) [75-474014-05S](#) [75-](#)
[474618-01S](#) [75-474618-04P](#) [75-474618-04S](#) [799539-000](#) [MI8-SE](#) [805-005-07NF11-19PC](#) [805-005-07NF15-7PA](#) [8280-4PG-516](#) [8280-7PG-](#)
[519](#) [8282-5PG-519](#) [836783-1](#) [MP-4102-25P-C](#) [862256-1](#) [864019-2](#) [866857-1](#) [867865-1](#) [PT01SP-14-18P](#) [PT08P-14-5S](#) [120-1833-000](#)
[QCM019PC2DC012B](#) [1-2069279-1](#) [121583-0217](#) [121667-0020](#) [129591AU](#) [1000B BULK](#) [RD10A16-19-P6CS051/1](#) [RD10A20-31-](#)
[P8CS051/1](#) [RD16A14-12-S6CS051/2](#) [1301240290](#) [1301240347](#) [1301860202](#) [1301240268](#)