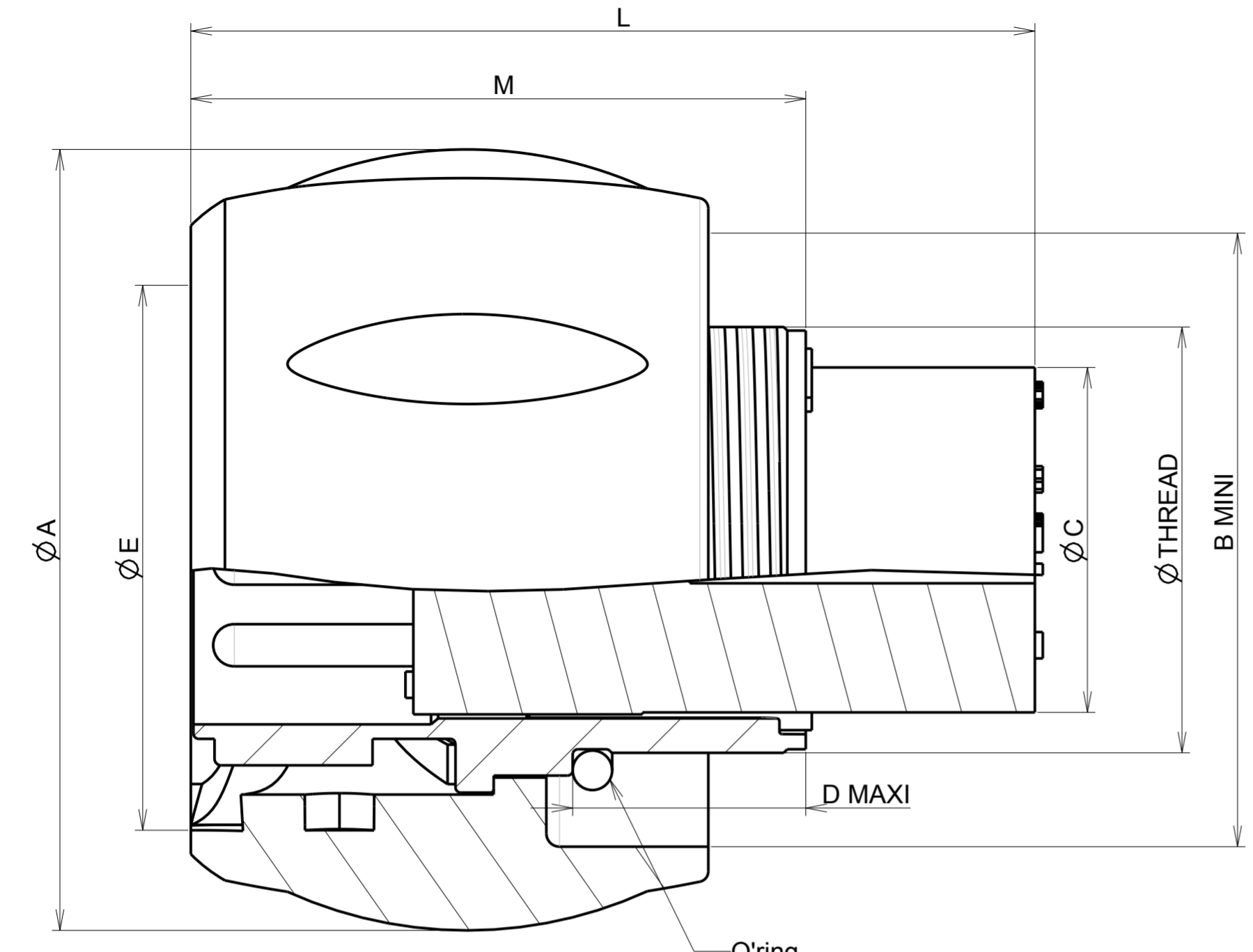


b : 1 : RL



**MATERIAL :**

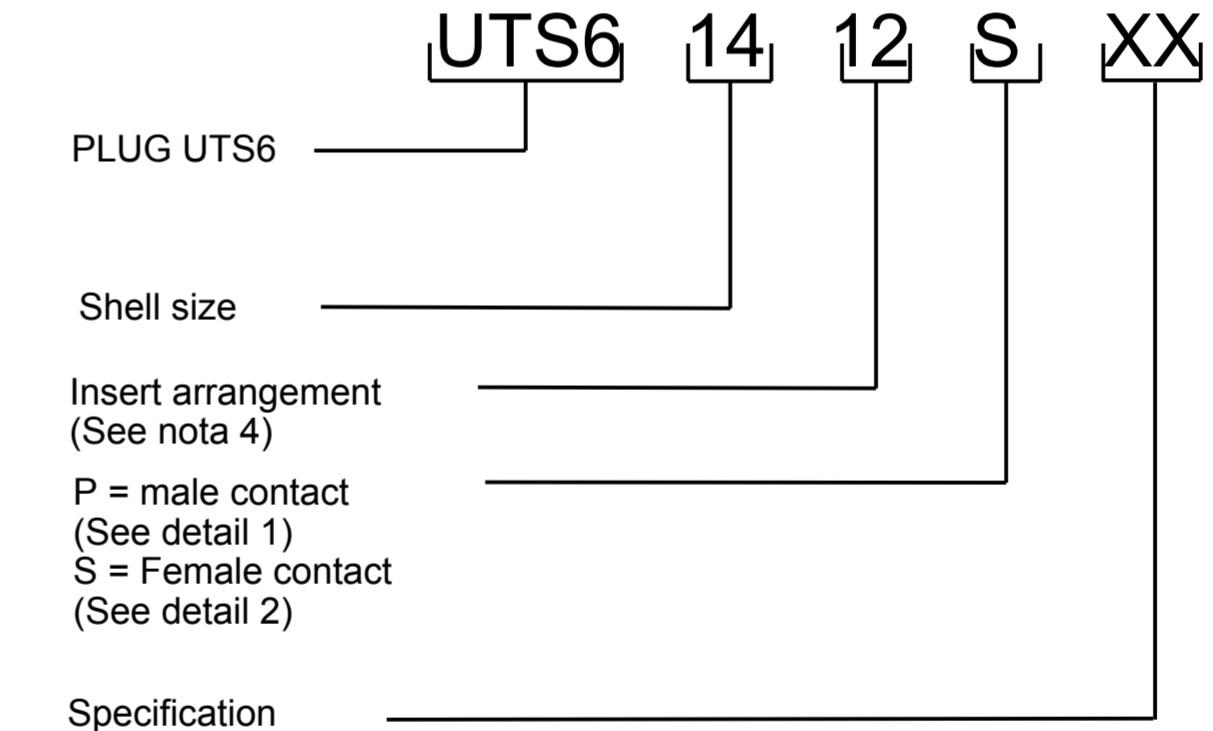
Coupling Nut: Polyamid UL94 V-0  
 Inset: Polyamid UL94 V0  
 Shell : Polyamid UL94 V-0  
 Coupling spring : Stainless steel  
 O'seal : Nitril

**PERFORMANCE CHARACTERISTICS :**

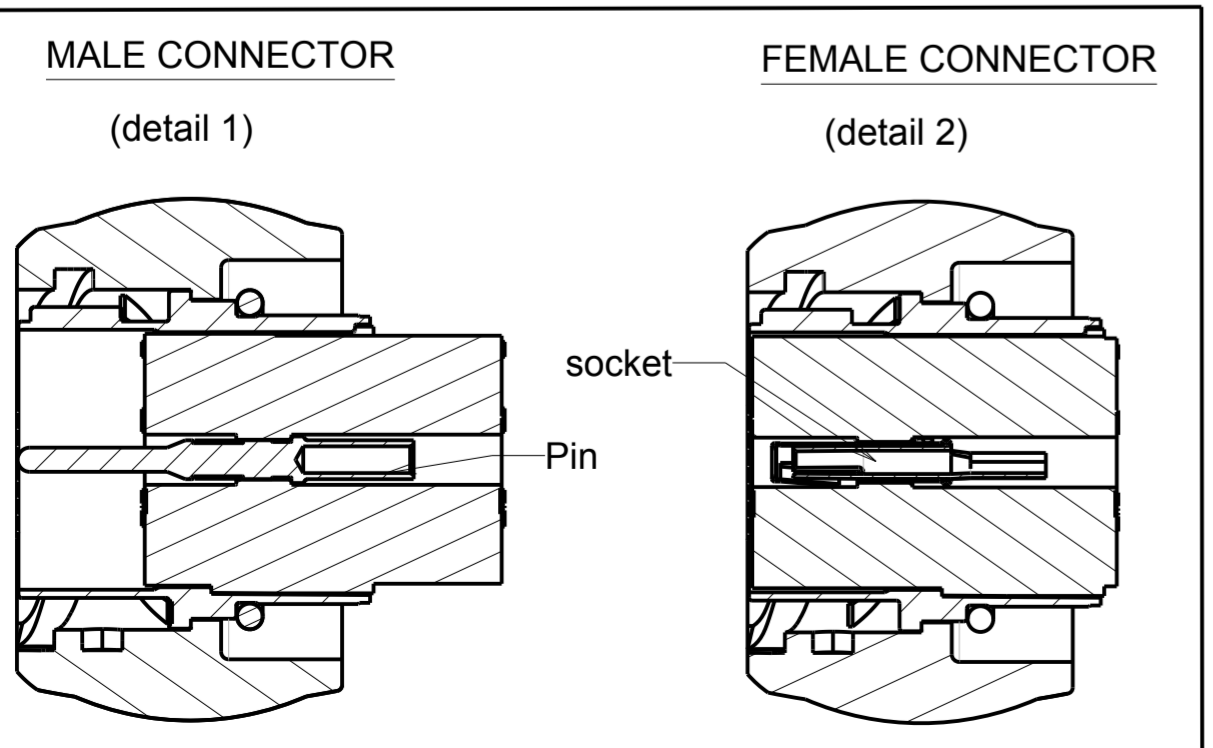
Operating temperature: -40°C up to 105°C  
 Insulation resistance: 5000 MΩ min  
 Test potential: 2000 Vrms for #16 layout and 1500Vrms for #20 layout  
 Corrosion salt spray: 500 hours  
 Durability: 250 matings and unmatings  
 Sealing in mated conditions:  
 -IP68 1 bar during 1 week : immersion under 10 m of water.  
 (IEC 60529)  
 -IP69K : exposure to high pressure water of cleaning  
 equipement (DIN 40050)

**NOTES :**

- 1-Contact to be ordered separately : refer to TRIM TRIO catalog
- 2-Insert arrangements: refer to : C007-UTS1-A (Female insulator)  
 UTO-CONTACT-L-C02 (Female insulator)  
 UTOW-CONTACT-L-C02 (Female insulator)  
  
 C008-UTS1-A (Male insulator)  
 UTO-CONTACT-L-C01 (Male insulator)  
 UTOW-CONTACT-L-C01 (Male insulator)



SHELL SIZE	LAYOUT	ØA	L MAX		M MINI	ØC	THREAD	Ø B MINI	D MAXI	ØE
			MALE	FEMELLE						
10	SEE NOTE 2	26.20	33	25.30	23.35	10.1	9/16-24 UNEF CLASS 2A	20.4	8.1	15.65
12	SEE NOTE 2	29.70	33	25.30	23.35	13.1	11/16-24 UNEF CLASS 2A	23.1	8.9	19.3
14	SEE NOTE 2	34.60	33	25.30	23.35	16.4	13/16-20 UNEF CLASS 2A	26.20	8.9	22.5
18	SEE NOTE 2	42	33	25.30	23.35	21.65	1/16-18 UNEF CLASS 2A	33.30	8.9	29



**CUSTOMER DRAWING**

b	16/02/2011	New drawing adding of size 18		MOD N°
ISS	DATE	Latest modification - by: J.Feurprier		
Designed by: RAGAINEM		Date: 12/06/2011	CUSTOMER DRAWING	
TITLE		UTS PLUG WITHOUT BACKSHELL UTS CONNECTOR		
Scale	2/1	General linear Tolerances: ± 0.2	NPRDS / PROJECT UTS	
		<a href="http://WWW.SOURIAU.COM">WWW.SOURIAU.COM</a>		This document is the property of SOURIAU It must not be reproduced or communicated without permission
FORMAT	A2	SOURIAU DRG N° C029-UTS1-A		SHEET 1/1

NOT EXPORT CONTROLLED

## X-ON Electronics

Largest Supplier of Electrical and Electronic Components

*Click to view similar products for [Standard Circular Connector](#) category:*

*Click to view products by [Sunbank](#) manufacturer:*

Other Similar products are found below :

[C015](#) [10F006](#) [001](#) [1](#) [5M2530B10P](#) [600259N006](#) [600273N007](#) [600432N009](#) [6280-2PG-519](#) [6280-3PG-311](#) [6280-3SG-311](#) [6280-7SG-3DC](#)  
[6280-7SG-522](#) [6282-5PG-311](#) [6282-6PG-519](#) [6282-8SG-311](#) [6283-11](#) [6283-15](#) [6290](#) [6382-2PG-311](#) [6382-2PG-3DC](#) [6382-2SG-321](#) [6382-2SG-3DC](#) [6382-4SG-516](#) [67-03E20-37P](#) [680-SMG](#) [681-PMG](#) [CXS3102A14S2P](#) [CXS3102A181S](#) [CXS3106A14S6S](#) [MB12P-1](#) [MB12R-6](#)  
[7251-2PG-300](#) [7251-2SG-300](#) [7251-4PG-300](#) [7251-4SG-300](#) [7251-5PG-300](#) [7251-5SG-300](#) [7251-6SG-300](#) [7251-7PG-300](#) [7251-8PG-300](#)  
[7271-6SG-300](#) [7282-3PG-300-CH3](#) [73000005663](#) [75-190216-08S](#) [75-190218-10P](#) [75-474118-10P](#) [75-474618-01S](#) [75-474620-07P](#) [799539-000](#) [MI8-SE](#) [80-190222-18P](#) [805-005-07NF11-19PC](#)