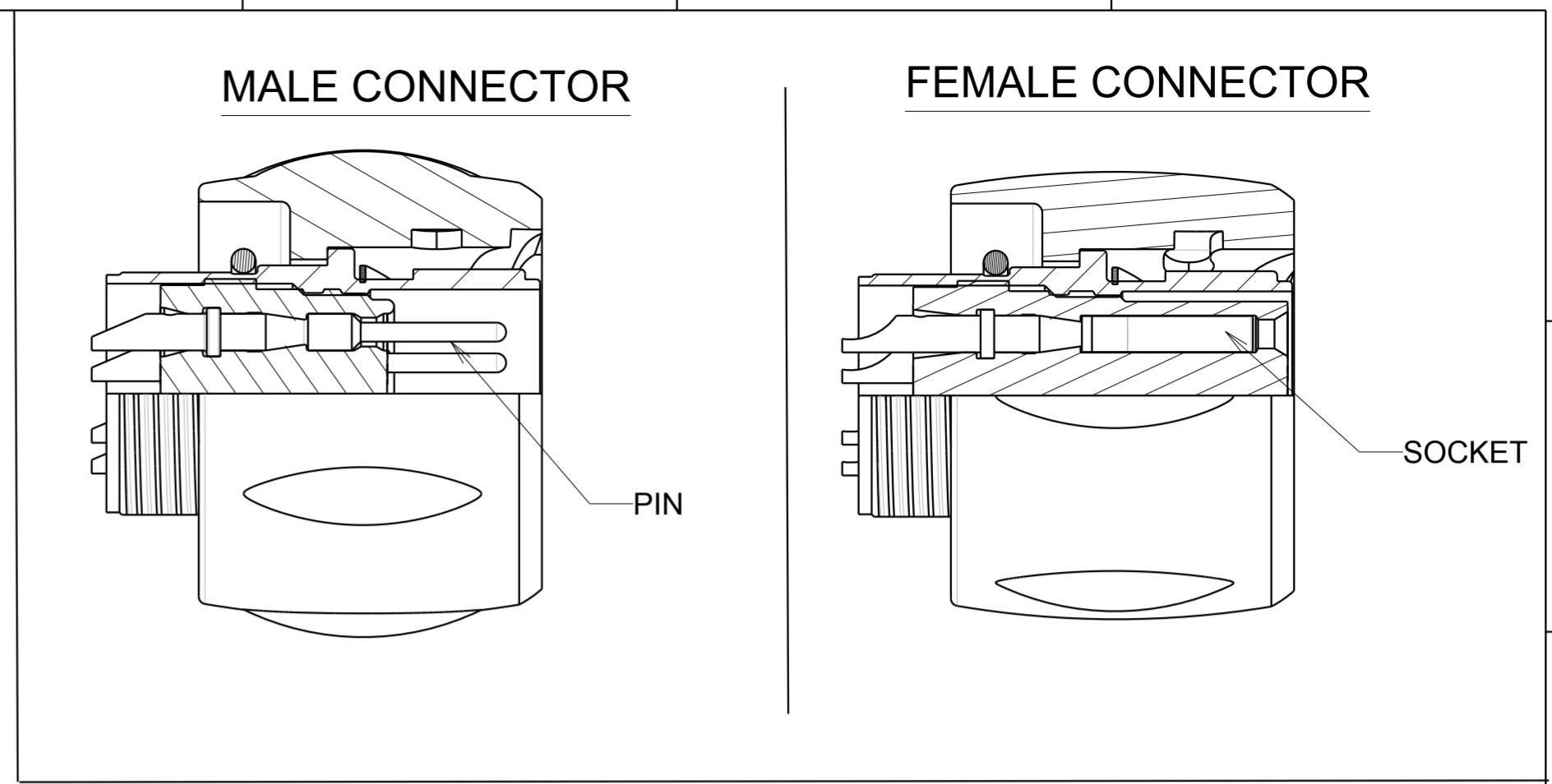
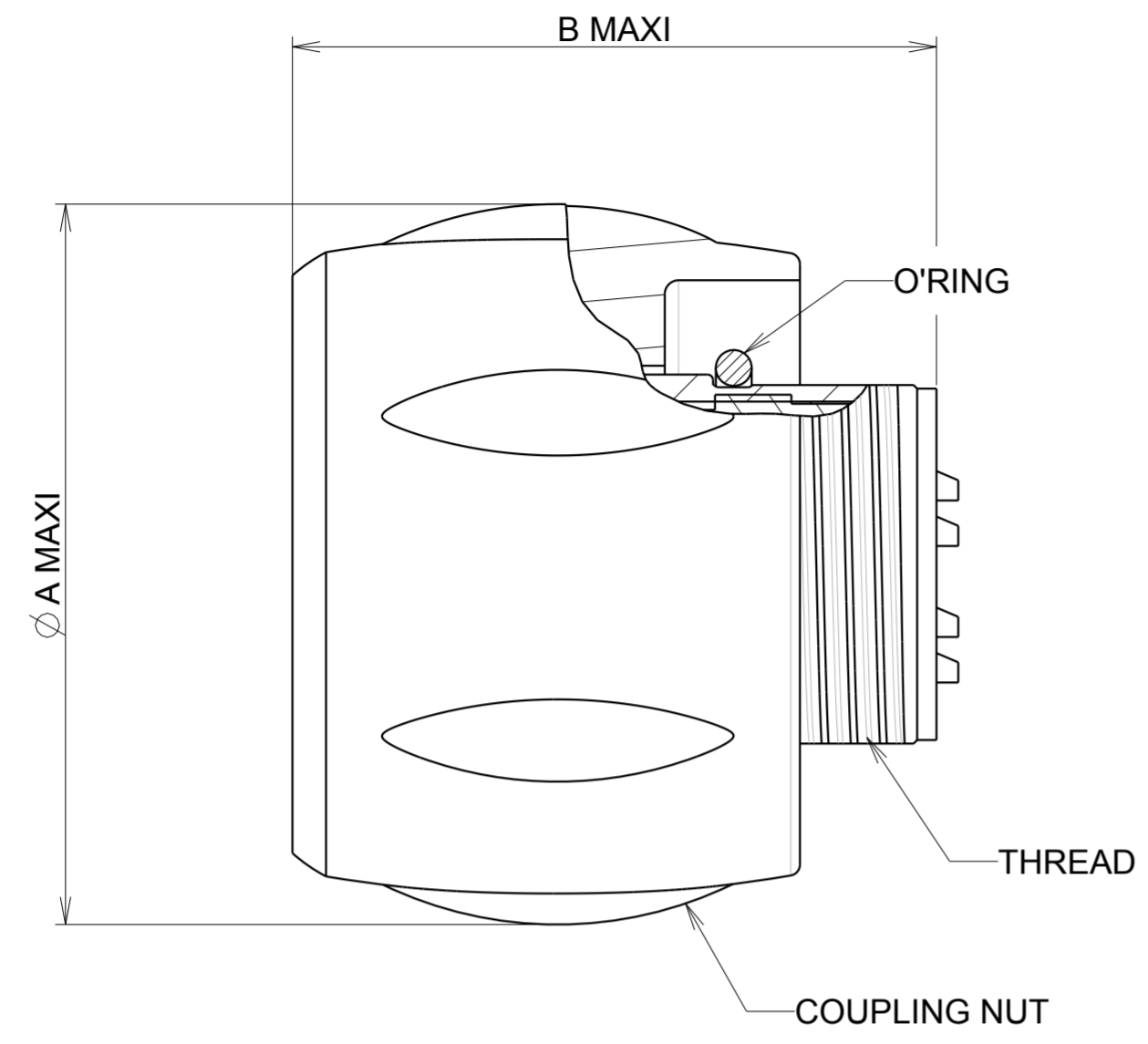
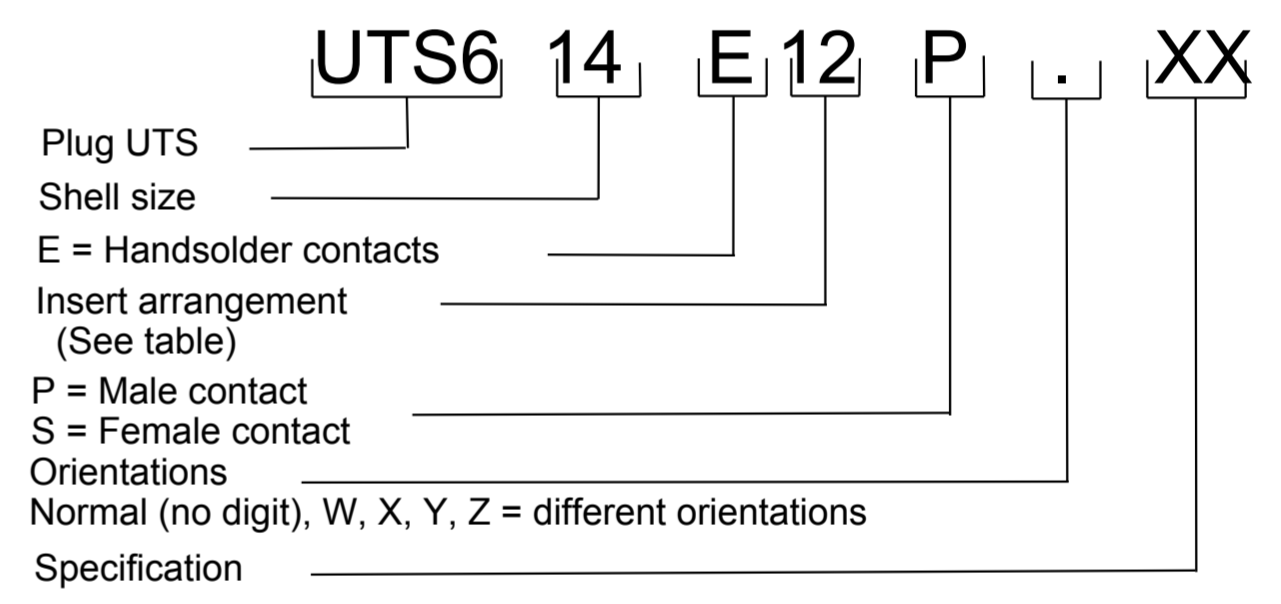


e : 0 : RL



SHELL SIZE	Ø A MAXI	B MAXI	THREAD
08	22.50	21.30	7/16 28 UNEF CLASS 2A
10	26.70	23.60	9/16 24 UNEF CLASS 2A
12	30.15	23.60	11/16 24 UNEF CLASS 2A
14	35.10	23.60	13/16 20 UNEF CLASS 2A



**MATERIAL :**  
 Coupling Nut: Polyamid UL94 V-0  
 Insert: Polychloropren (CR)  
 Shell : Polyamid UL94 V-0  
 Coupling spring : Stainless steel  
 O'seal : Nitril  
 Contact : brass + gold plated

**PERFORMANCE CHARACTERISTICS :**  
 Operating temperature: -40°C up to 105°C  
 Insulation resistance: 5000 MΩ min  
 Test potential: 2000 Vrms for #16 layout and 1500Vrms for #20 layout  
 Corrosion salt spray: 500 hours  
 Durability: 250 matings and unmatings  
 Sealing in mated and unmated conditions:  
 -IP68 1 bar during 1 week : immersion under 10 m of water. (IEC 60529)  
 -IP69K : exposure to high pressure water of cleaning equipement (DIN 40050)

**NOTE :**  
 Insert arrangements: refer to C144-UTS1-A

**CUSTOMER DRAWING**

e	24/01/12	Update orientation view face		--
ISS	DATE	Latest modification - by: SORIN V.		MOD N°
Designed by: SORIN V.		Date: 30/06/08	CUSTOMER DRAWING	
TITLE		PLUG WITHOUT BACKSHELL UTS HI SEAL		
Scale	2/1	General linear Tolerances: ± 0.5	NPRDS / PROJECT UTS	
		WWW.SOURIAU.COM		This document is the property of SOURIAU. It must not be reproduced or communicated without permission.
FORMAT	A2	SOURIAU DRG N° C057-UTS1-A		SHEET 1/1

NOT EXPORT CONTROLLED

## X-ON Electronics

Largest Supplier of Electrical and Electronic Components

*Click to view similar products for [Standard Circular Connector](#) category:*

*Click to view products by [Sunbank](#) manufacturer:*

Other Similar products are found below :

[C015](#) [10F006](#) [001](#) [1](#) [5M2530B10P](#) [600259N006](#) [600273N007](#) [600432N009](#) [6280-2PG-519](#) [6280-3PG-311](#) [6280-3SG-311](#) [6280-7SG-3DC](#)  
[6280-7SG-522](#) [6282-5PG-311](#) [6282-6PG-519](#) [6282-8SG-311](#) [6283-11](#) [6283-15](#) [6290](#) [6382-2PG-311](#) [6382-2PG-3DC](#) [6382-2SG-321](#) [6382-](#)  
[2SG-3DC](#) [6382-4SG-516](#) [67-03E20-37P](#) [680-SMG](#) [681-PMG](#) [CXS3102A14S2P](#) [CXS3102A181S](#) [CXS3106A14S6S](#) [MB12P-1](#) [MB12R-6](#)  
[7251-2PG-300](#) [7251-2SG-300](#) [7251-4PG-300](#) [7251-4SG-300](#) [7251-5PG-300](#) [7251-5SG-300](#) [7251-6SG-300](#) [7251-7PG-300](#) [7251-8PG-300](#)  
[7271-6SG-300](#) [7282-3PG-300-CH3](#) [73000005663](#) [75-190216-08S](#) [75-190218-10P](#) [75-474118-10P](#) [75-474618-01S](#) [75-474620-07P](#) [799539-](#)  
[000](#) [MI8-SE](#) [80-190222-18P](#) [805-005-07NF11-19PC](#)