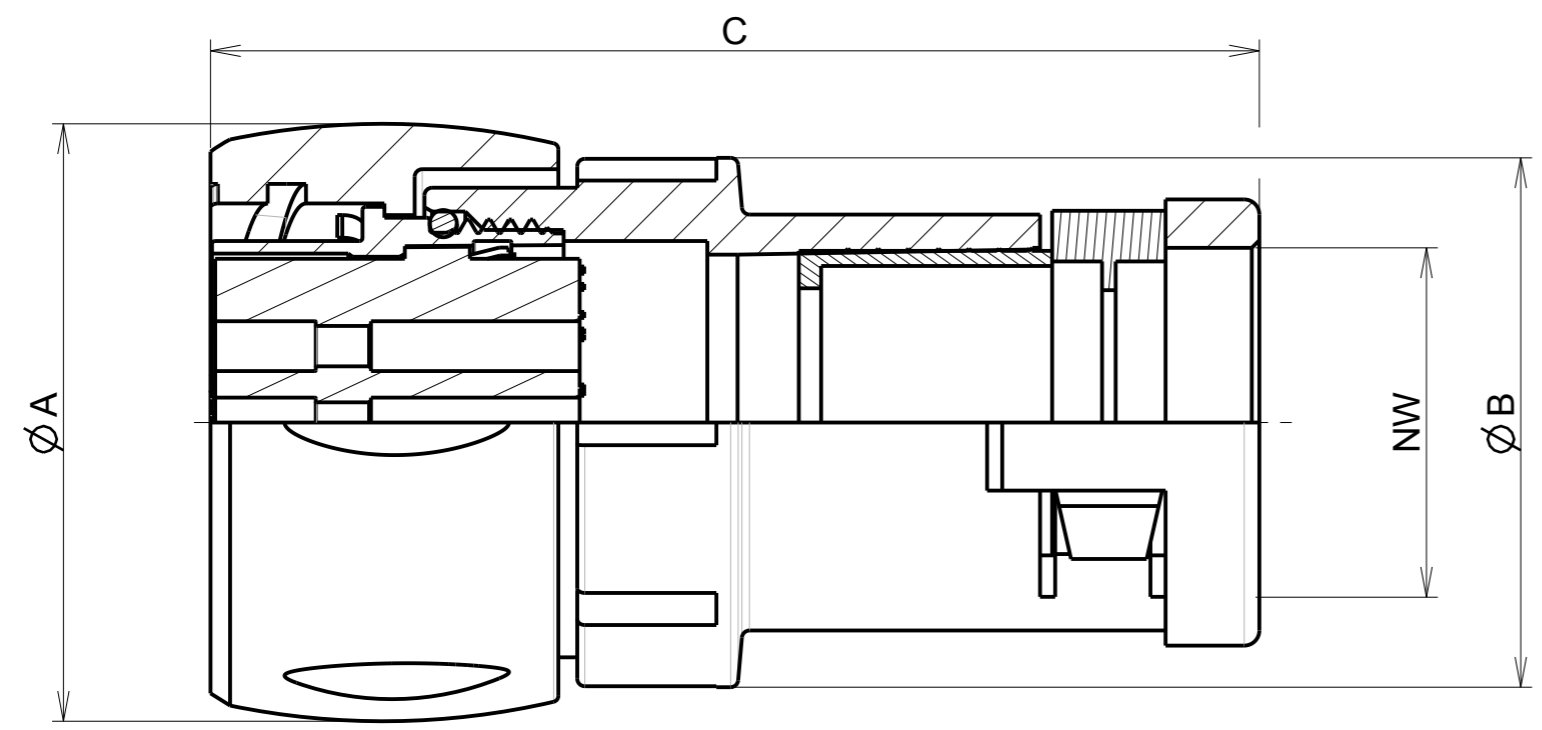
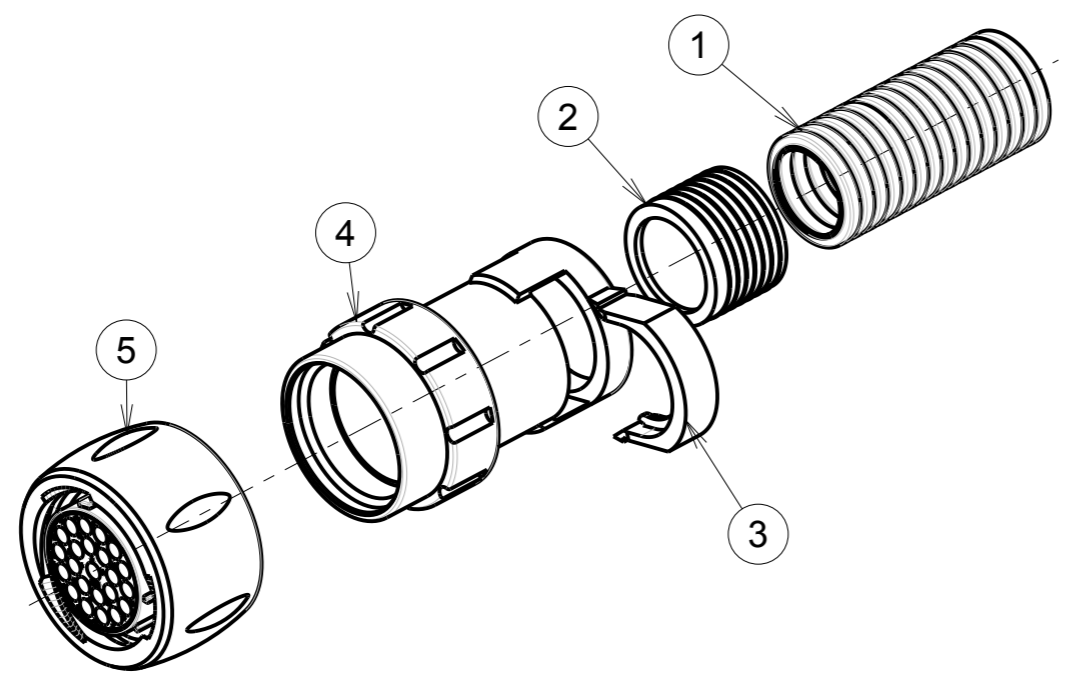


b:0;RL



ASSEMBLED VIEW

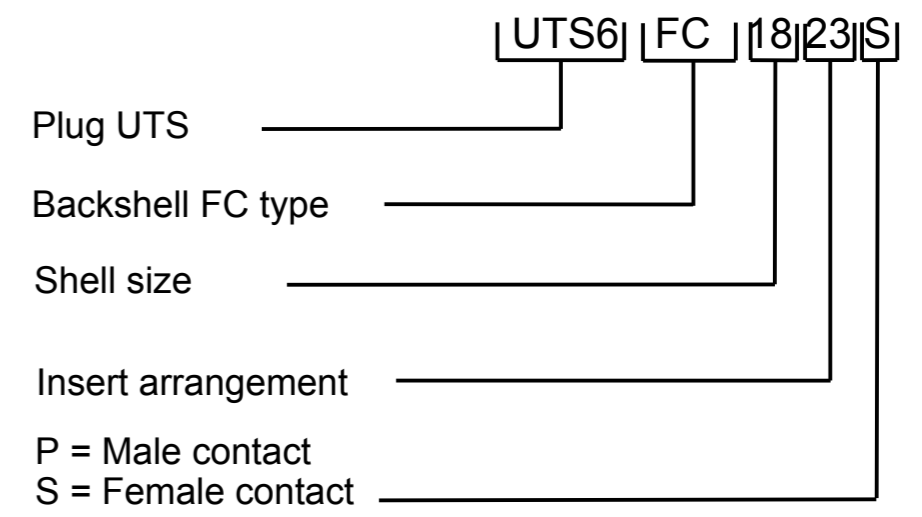
P/N	CONNECTOR SIZE	FLEX SIZE CONDUIT (see note 5)	Ø A Maxi	Ø B ±0.3	C ± 0.6
UTS6FC12XXP/S	12	NW12	30.15	24	61
UTS6FC14XXS	14	NW12	35.1	26.5	61
UTS6FC18XXS	18	NW17	42	35	69.2



MATERIAL :
 ④ Backshell body :Polyamid
 ② Seal : Elastomer
 ③ Retaining clip : Polyamid
 ⑤ Coupling Nut:Polyamid
 Insert:Polyamid
 Shell : Polyamid
 Coupling spring : stainless steal
 O'seal : NBR

PERFORMANCE CHARACTERISTICS :
 Operating temperature:-40°C up to 105°C
 Corrosion salt spray:500 hours
 Sealing in assembly conditions: (with an UTS connector)
 -IP68 compliant ; 1 bars/30 min
 -IP69K as per DIN40050
 Insulation resistance: 5000 M min
 Test potential : 2000Vrms for #16 layout
 Durability: 250 matings and unmatings
 Flammability: Polyamid material classified UL94 V-0

NOTES :
 -1-Contact to be ordered separately :refer to UTS catalog
 -2-Insert arrangements refer to BT 297 see drawing for information: C142-UTS1-A
 -For male plug, only layout size 12
 -3-Polarization of connector: refer to :
 -UT0-POLARIZATION-C01
 -UT0W-POLARIZATION-C01
 -4-Delivered as a kit in a plastic bag (individual): with parts 2, 3, 4 and 5
 -5-Recommended flexible conduit range :PMAFLEX
 -6-For assembly instruction, see BT297



P/N : UTS6FC12P
 UTS6FC****S**

b	07/06/13	—	Modification notes	22523A
ISS	DATE	Latest modification - by: J.FEURPRIER		MOD N°
Designed by: J.FEURPRIER		Date:02/04/13	CUSTOMER DRAWING	
TITLE		ASSEMBLY BACKSHELL AND UTS PLUG CONNECTOR UTS CONNECTOR		
Scale	1/2	General linear Tolerances: ± 0.2	NPRDS / PROJECT IC124509A	
SOURIAU		WWW.SOURIAU.COM		This document is the property of SOURIAU It must not be reproduced or communicated without permission
FORMAT	A3	SOURIAU DRG N° C186-UTS1-A		SHEET 1/1

NOT EXPORT CONTROLLED

X-ON Electronics

Largest Supplier of Electrical and Electronic Components

Click to view similar products for [Standard Circular Connector](#) category:

Click to view products by [Sunbank](#) manufacturer:

Other Similar products are found below :

[C015](#) [10F006](#) [001](#) [1](#) [5M2530B10P](#) [600247N007](#) [600259N006](#) [600273N007](#) [600432N009](#) [6280-2PG-519](#) [6280-3PG-311](#) [6280-3SG-311](#)
[6280-7SG-3DC](#) [6280-7SG-522](#) [6282-5PG-311](#) [6282-6PG-519](#) [6282-8SG-311](#) [6283-11](#) [6283-15](#) [6290](#) [6293](#) [6382-2PG-311](#) [6382-2PG-3DC](#)
[6382-2SG-321](#) [6382-2SG-3DC](#) [6382-4SG-516](#) [67-03E20-37P](#) [681-PMG](#) [CXS3102A14S2P](#) [CXS3102A181S](#) [CXS3106A14S6S](#) [MB12P-1](#)
[MB12R-6](#) [7251-2PG-300](#) [7251-2SG-300](#) [7251-4PG-300](#) [7251-4SG-300](#) [7251-5PG-300](#) [7251-5SG-300](#) [7251-6SG-300](#) [7251-7PG-300](#) [7251-](#)
[8PG-300](#) [7271-6SG-300](#) [7282-3PG-300-CH3](#) [73000005663](#) [75-190011-03P](#) [75-190216-08S](#) [75-190218-10P](#) [75-214636-52P](#) [75-474118-10P](#)
[75-474211-03P](#) [75-474218-19S](#) [75-474618-01S](#)