

MATERIAL :

Shell: Polyamid UL94 V-0
 Insert: Polyamid UL94 V-0
 Seal gasket : Sealing IP68/69K : Silicone
 O'ring: nitril
 Nut: Aluminium alloy black anodized
 Backshell body : Polyamid UL94 V-0
 Backshell nut: Polyamid UL94 V-0
 O'seal : Nitril

PERFORMANCE CHARACTERISTICS :

Operating temperature: -40°C up to 105°C
 Insulation resistance: 5000 MΩmin
 Test potential: 2000 Vrms for #16 layout and 1500Vrms for #20 layout
 Corrosion salt spray: 500 hours
 Durability: 250 matings and unmatings
 Sealing in mated conditions:
 -IP68 1 bar during 1 week : immersion under 10 m of water. (IEC 60529)
 -IP69K : exposure to high pressure water of cleaning equipment (DIN 40050)

NOTES :

- 1- Receptacle, backshell and the reducing seal are delivered as a kit. The backshell already includes the standard seal.
- 2- Contact to be ordered separately : refer to TRIM TRIO catalog
- 3- Colored ring to be ordered separately refer to customer drawing C006-UTSI-A
- 4- developed Grommet arrangements : refer to C042-UTSI-A
- 5- for wiring instructions, refer to BT214

COUPE A-A
 ECHELLE 3/1

CUT PANEL

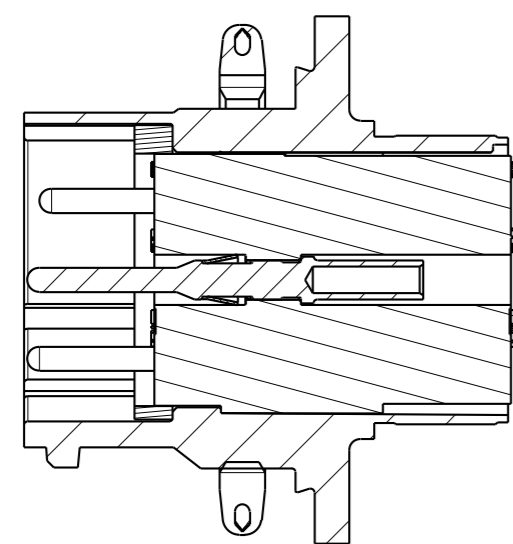
UTS7 GJC 14 12 P XX

RECEPTACLE
 UTS7
 GROMMET
 BACKSHELL TYPE
 Shell size
 Insert / grommet
 arrangement
 (See nota 4)
 P = Male contact
 (See detail 1)

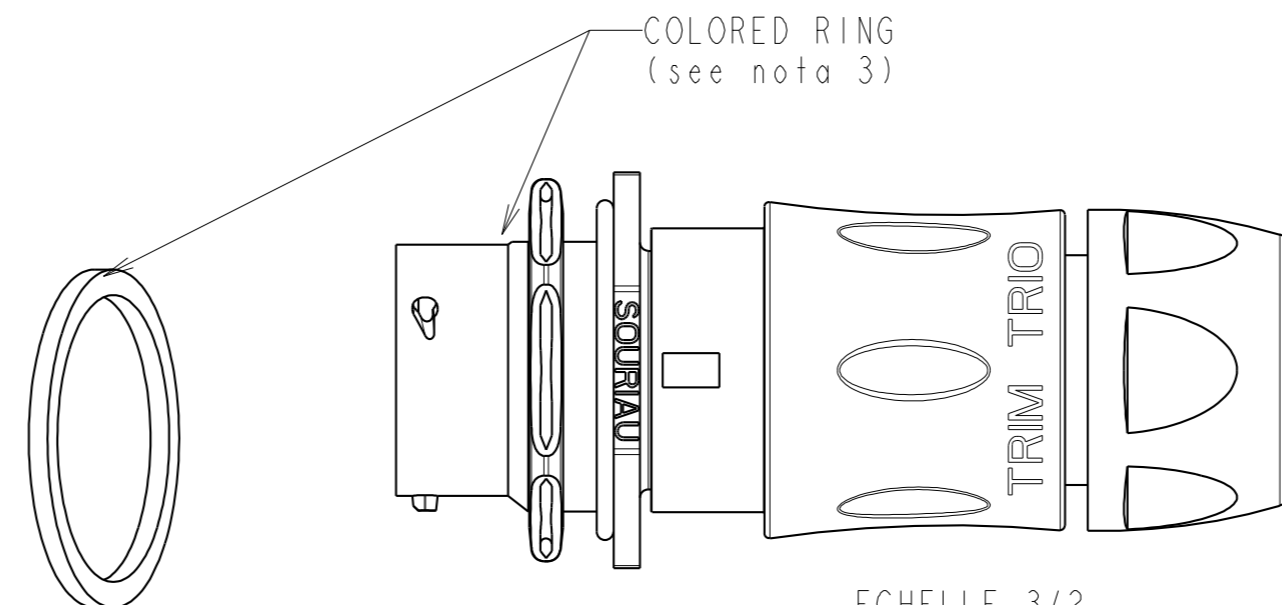
Specification

SHELL SIZE	LAYOUT	THREAD I	ØA±0.15	B±0.2	C MINI.	D MAX.	E±0.25	F±0.3	G±0.20	ØH±0.2	CAPACITY C		E MAX
											STANDARD SEAL	REDUCING SEAL	
14	SEE NOTE 4	1"20 UNEF CLASS 2A	22.20	19.30	80.5	3.20	34.90	30.20	24.30	25.70	7 / 14	5 / 12	37.6
12	SEE NOTE 4	7/8 20 UNEF CLASS 2A	19.00	19.30	74.50	3.20	31.80	27.00	21.20	22.50	5 / 12	3 / 9	33.5
10	SEE NOTE 4	11/16 24 UNEF CLASS 2A	14.90	19.30	70.75	3.20	27.00	22.20	16.50	17.70	2.5 / 8	1.5 / 5	30

MALE CONNECTOR
 (detail 1)



COLORED RING
 (see nota 3)



ECHELLE 3/2

ECHELLE 3/2

CUSTOMER DRAWING

c	05/02/08	--	Add shell size 12 and 14	--
ISS	DATE	Latest modification - by: RAGAINÉ M.		MOD N°
Designed by:		RAGAINÉ M. Date: 31/05/07		CUSTOMER DRAWING
TITLE		JAM NUT RECEPTACLE+GROMMET BACKSHELL UTS CONNECTOR		
Scale	2/1	General linear Tolerances: ±0.2	NPRDS / PROJECT UTSI	
		WWW.SOURIAU.COM		This document is the property of SOURIAU. It must not be reproduced or communicated without permission.
FORMAT	A2	SOURIAU DRG N° CO26-UTSI-A		SHEET

NOT EXPORT CONTROLLED

X-ON Electronics

Largest Supplier of Electrical and Electronic Components

Click to view similar products for [Standard Circular Connector](#) category:

Click to view products by [Sunbank](#) manufacturer:

Other Similar products are found below :

[6134-336-13149](#) [6134-337-11149](#) [6134-337-2390](#) [6134-341-17149](#) [6280-4SG-516](#) [6280-7SG-3DC](#) [6282-2SG-315](#) [67-02E12-60PX](#) [680-SMG](#) [CXS3102A181S](#) [7282-3PG-300-CH3](#) [75-190216-08S](#) [75-190218-10P](#) [75-190611-03S](#) [75-190614-07S](#) [75-474014-05S](#) [75-474118-10P](#) [75-474211-03P](#) [75-474620-07P](#) [805-005-07NF11-19PC](#) [805-005-07NF15-7PA](#) [8280-4PG-516](#) [8280-7PG-519](#) [FMP.2M.310.XLCT](#) [836783-1](#) [862256-1](#) [866857-1](#) [867865-1](#) [PT08P-14-19S](#) [120-1833-000](#) [QCM019PC2DC012B](#) [121583-0217](#) [121667-0020](#) [RD10A16-19-P6CS051/1](#) [RD16A14-12-S6CS051/2](#) [1301240268](#) [1301240275](#) [1301860183](#) [1301860906](#) [1302261559](#) [DCU-08BFEA-LL7001](#) [RM15WTP-CP\(5\)\(71\)](#) [14381-10SG-300](#) [14482](#) [14281-20PG-300](#) [16283-18](#) [18280-3SG-315](#) [1877910-1](#) [206039-3](#) [206323-1](#)