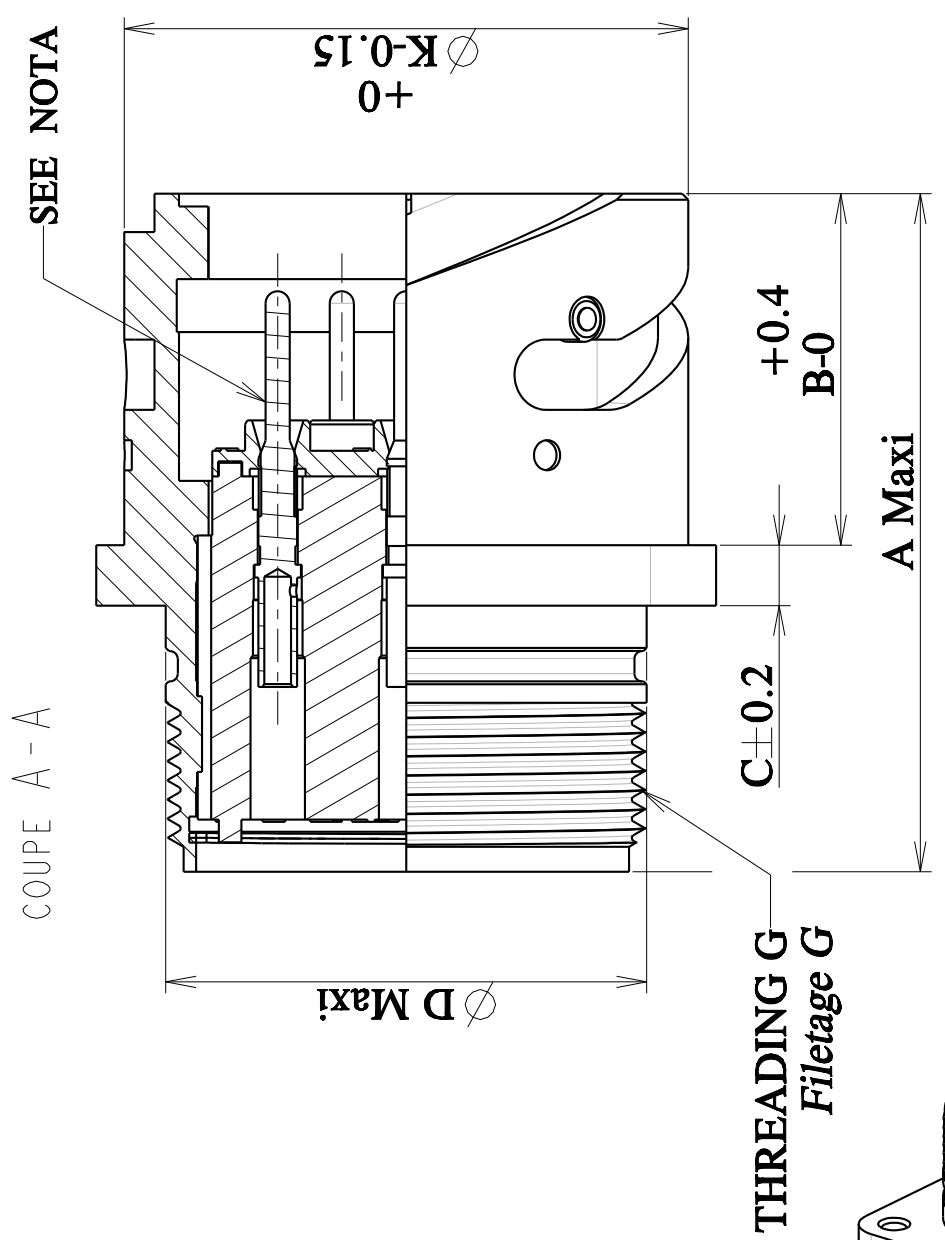
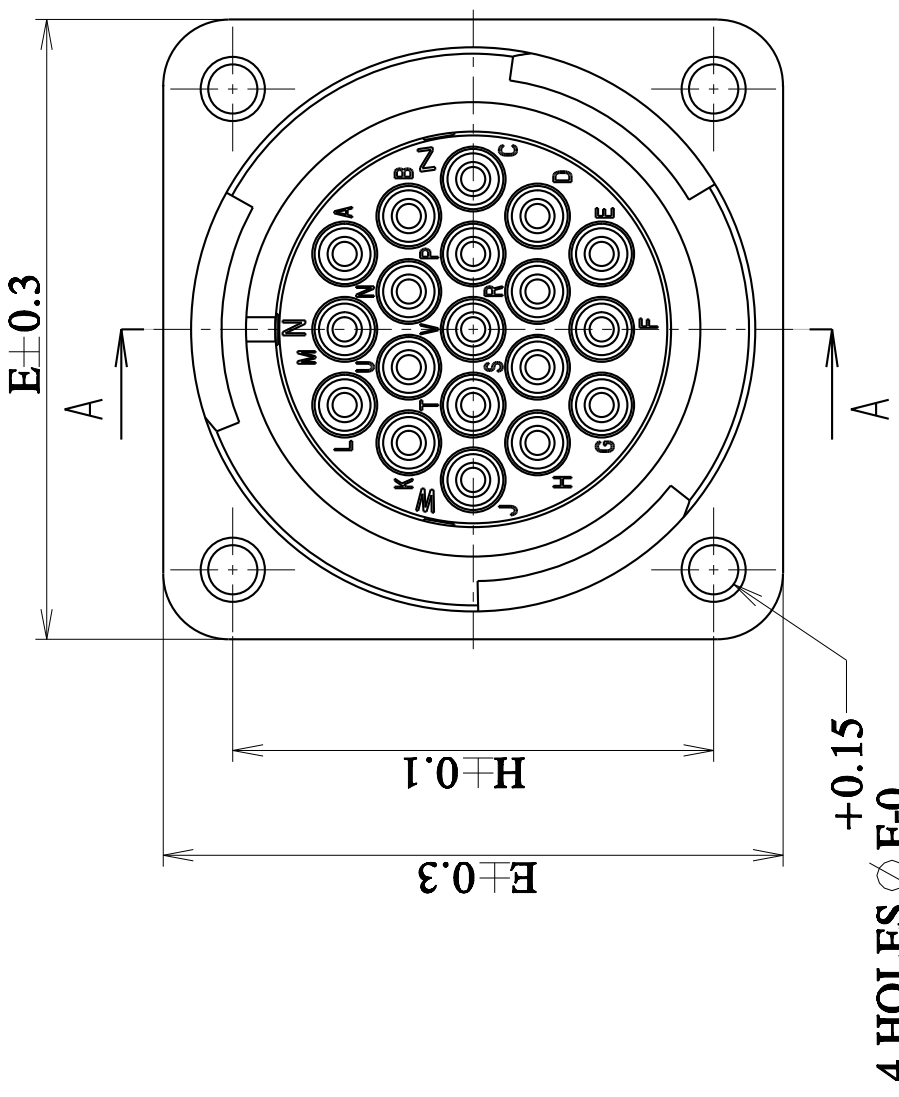
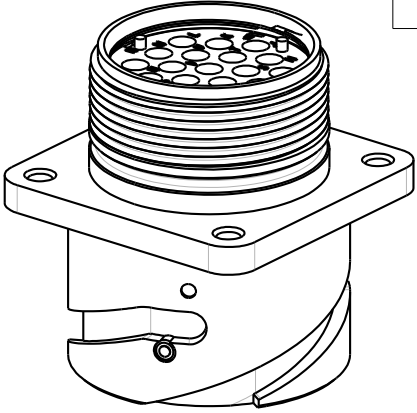


A B C D E F G H



Nota : Connector delivered without pin
Connecteur livré sans contacts

CUSTOMER DRAWING/PLAN CLIENT



SHELL SIZE taille boîtier	A max	B 0/+0.4	C +/-0.2	ϕ D max	E +/-0.3	ϕ F 0/+0.15	THREADING G Class 2A filetage G	H +/-0.1	ϕ K -0.15 / 0
18	45.50	23.05	4.00	25.50	35.00	3.25	1" x 20 UNEF	27.00	30.80
20	45.50	23.05	4.00	28.70	38.00	3.25	1 1/8" x 18 UNEF	29.40	34.20
22	45.50	23.05	4.00	31.90	41.00	3.25	1 1/4" x 18 UNEF	31.80	37.40
24	45.50	23.05	4.00	35.20	44.50	3.75	1 3/8" x 18 UNEF	34.90	40.90
28	48	24.05	4.00	41.50	50.80	3.75	1 5/8" x 18 UNE	39.70	46.70
32	48	24.05	4.00	47.90	57.00	4.35	1 7/8" x 16 UN	44.50	53.40
36	48	24.05	4.00	52.50	63.50	4.35	2 1/16" x 16 UNS	49.20	59.60
40	48	24.05	4.00	59.00	70.00	4.35	2 5/16" x 16 UN	55.50	65.60

Updated drawing	---	
Mise à jour du plan	---	
ISS DATE	04/11/06	MOD N°
Latest modification - by:	SORIN V.	
Designed by:	LEGER P.	Type of drawing: Definition (D)
Date:	13/01/03	
Checked by:	SEE DISTRIBUTION LIST Date: SEE DISTRIBUTION LIST	
TITLE	RECEPTACLE MALE-CONNECTORS VGE1	
	EMBASE MALE-CONNECTEURS VGE1	
Scale	General angular	MATERIAL
2/1	Tolerances: ±	---
	General linear	General machining
	Tolerances ±0.5	surface texture
	SOURIAU	
	Route Nationale 23	
72470 CHAMPAGNE		Geometrical Tolerances
Tel. (33)02.43.54.35.00		See NF E 04-552
PROJECT		VGE1
This document is the property of SOURIAU		
It must not be reproduced or communicated without permission		
FORMAT	SOURIAU DRG N°	SHEET
A3	VGE1-0081A-C	1/1

X-ON Electronics

Largest Supplier of Electrical and Electronic Components

Click to view similar products for [Circular MIL Spec Connector](#) category:

Click to view products by [Sunbank](#) manufacturer:

Other Similar products are found below :

[0025-262-542](#) [0025-264-3014](#) [58-570121-04S](#) [0134-202-1200](#) [0134-207-1206](#) [0134-207-1800](#) [0134-207-2207](#) [0134-213-0806](#) [0134-213-1007](#) [0134-213-1009](#) [0134-213-1208](#) [0134-213-1800](#) [0134-213-2209](#) [0025-258-000](#) [015-9516-002](#) [60-042722-19P](#) [0114-201-1278](#) [602GB06EG24-61SN](#) [0134-201-1207](#) [0134-201-1806](#) [0134-201-2006](#) [0134-201-2007](#) [0134-201-2010](#) [0134-202-1400](#) [0134-207-0809](#) [0134-207-1208](#) [0134-207-2009](#) [0134-213-1006](#) [6104-207-2302](#) [6104-208-1902](#) [6104-215-0902](#) [6131-202-19149P](#) [6131-204-21149P](#) [6131-207-13149P](#) [6131-208-13149P](#) [6131-209-17149P](#) [6131-210-11149P](#) [6131-211-19149P](#) [6131-216-19149P](#) [6131-220-25149P](#) [6131-259-11149P](#) [6131-259-21149P](#) [6131-259-23149P](#) [6131-263-19149P](#) [6131-265-17149P](#) [6131-265-19149P](#) [CS3102A-20-15P](#) [CS3102C18-4P-472](#) [CS3106A-10SL-53S](#) [CS3106A-10SL-64S](#)