

YHLZ TERMINAL BLOCK MODULES

14	REVISED AND REDRAWN ON CAD. DWG WAS SD75001. SEE REV. REF. PRINT. (ECN3556)	FDH	JKD	06-10-96
REV	REVISION DESCRIPTION	BY	CHKD	DATE

SUPERSEDES: SD75001-13

YHLZ TERMINAL BLOCK MODULE ASSEMBLY

CAT NO. YHLZ-22_ & -44_ (SEE TABLE)

DWG RELEASED TO CENTRAL FILE 06-10-96

CAGE NO. 09922 | ECN 3556 | PC 862

© FRAMATOME CONNECTORS USA INC. 1996

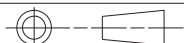


SOURIAU
Connection Technology

APPROVAL	DRWN	THC	01-04-73
	CHKD	TJS	05-21-73
	DSGN	JB	05-23-73
	MKT	FG	05-31-96
	QC	ZR	06-05-96
DRAWING SCALE NONE			
DRAWING NO		REV	
SA75001		14	
SHEET 1 OF 6			

LINEAR MEASURE: INCH mm INCH [mm]

THIRD ANGLE PROJECTION



- TOLERANCES -
UNLESS OTHERWISE SPECIFIED

NO OF DECIMAL PLACES IN INCHES	INCH [mm]
ONE PLACE	±.1 [±3]
TWO PLACES	±.02 [±0.5]
THREE PLACES	±.005 [±0.13]

ANGLES ±1°

NOTES: UNLESS OTHERWISE SPECIFIED.

1. INTERPRET THIS DRAWING IN ACCORDANCE WITH ANSI Y14.5M-1982.
2. TERMINAL BLOCKS ACCOMODATES FCI 'YHMM' TYPE PIN CONTACTS.
SEE DRAWING SE66466. USE INSERTION/REMOVAL TOOL 'J1276-_'.
SEE DRAWINGS SC58867, SC65988, SC66580, AND SC69488.
3. TERMINAL BLOCK CAN BE INSTALLED IN ANY POSITION OF AMM____T____AND
AMY____T____ TRACK BY ROTATING CLOCKWISE. SEE DRAWINGS SE66784, BRSE66604,
SD83863, AND SD83864.

4. OPTIONAL: TERMINAL BLOCK MODULE MAY BE HEAT STAKED ON INDICATED SURFACES.

5. DIMENSION INCLUDES WARPAGE IN AREA SHOWN.

MATERIAL:

BODY - ZYTEL 151L OR EQUIVALENT, SELF EXTINGUISHING PER ASTM D635-56T
YHLZ-22 COLOR GRAY
YHLZ-44 COLOR BLACK

MODULE SOCKET ASS'Y - BERYLLIUM COPPER ALLOY

FINISH:

MODULE SOCKET ASS'Y - .000030 [0,00076] MIN. GOLD OVER .000100 [0,00254] MIN.
COPPER.

WEIGHT: .14 OZ. [4.0 GRAMS] MAX.

CATALOG NO. TABLE		
FCI CAT. NO.	FIG. NO.	CUST. PART NO.
YHLZ-44	1	_____
YHLZ-44 (B)		BACM15C1B
YHLZ-22	2	_____
YHLZ-22 (B)		BACM15C1A

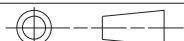
---	ALL REV. RECORDED ON SHT 1	---	---	---
REV	REVISION DESCRIPTION	BY	CHKD	DATE

YHLZ TERMINAL BLOCK MODULE ASSEMBLY

CAT NO. YHLZ-22_ & -44_ (SEE TABLE)

LINEAR MEASURE: INCH mm INCH [mm]

THIRD ANGLE PROJECTION



- TOLERANCES -
UNLESS OTHERWISE SPECIFIED

NO OF DECIMAL PLACES IN INCHES	INCH [mm]
ONE PLACE	±.1 [±3]
TWO PLACES	±.02 [±0,5]
THREE PLACES	±.005 [±0,13]
ANGLES ±1°	

DWG RELEASED TO CENTRAL FILE 06-10-96

CAGE NO. 09922 ECN 3556 PC 862

© FRAMATOME CONNECTORS USA INC. 1996



APPROVAL	DRWN	THC	01-04-73
	CHKD	TJS	05-21-73
	DSGN	JB	05-22-73
	MKT	FG	05-31-96
	QC	ZR	06-05-96

DRAWING SCALE: NONE

DRAWING NO. REV

SA75001 14

PERFORMANCE CHARACTERISTICS

MECHANICAL:

CONTACT INSERTION FORCES: 9 LBS [40.03N] MAX.
 CONTACT SEPARATION FORCES: 1 LB [4.45N] MIN.
 CONTACT RETENTION: 25 LBS [111.20N] MIN.
 BUS RETENTION: 30 LBS [133.44N] MIN.

ELECTRICAL:

CONTACT RESISTANCE: SIZE 12-16: 40 MILLIVOLTS MAX AT 20.0 AMPS WITH
 16 AWG SILVER PLATED WIRE.
 LOW LEVEL CONTACT RESISTANCE: SIZE 12-16: .006 OHMS MAX WITH 16 AWG SILVER PLATED WIRE.
 DIELECTRIC WITHSTANDING VOLTAGE: 1500 VRMS
 (SEA LEVEL)
 DIELECTRIC WITHSTANDING VOLTAGE: 1000 VRMS
 (60,000 FT.)
 INSULATION RESISTANCE: 5000 MEGOHMS MIN.
 CASE INTEGRITY (WET DIELECTRIC): 1500 VRMS

ENVIRONMENTAL:

SALT SPRAY: 48 HOURS IN ACCORDANCE WITH MIL-STD-202, METHOD 101, TEST CONDITION B.
 VIBRATION: IN ACCORDANCE WITH MIL-STD-202, METHOD 204, TEST CONDITION D, LETTER E.
 THERMAL SHOCK: IN ACCORDANCE WITH MIL-STD-202, METHOD 107, TEST CONDITION B.
 EXCEPT TEMPERATURE EXTREMES ARE -55°C TO 65°C [-67°F TO 149°F]
 HUMIDITY: IN ACCORDANCE WITH MIL-STD-202, METHOD 106, (OMIT STEP 7B).
 TENSILE PULL: 10 LBS [44.48N] MIN. AT RIGHT ANGLES TO LONGITUDINAL AXIS OF CONTACT.

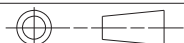
---	ALL REV. RECORDED ON SHT 1	---	---	---
REV	REVISION DESCRIPTION	BY	CHKD	DATE

YHLZ TERMINAL BLOCK MODULE ASSEMBLY

CAT NO. YHLZ-22_ & -44_ (SEE TABLE)

LINEAR MEASURE: INCH mm INCH [mm]

THIRD ANGLE PROJECTION



- TOLERANCES -
UNLESS OTHERWISE SPECIFIED

NO OF DECIMAL PLACES IN INCHES	INCH [mm]
ONE PLACE	±.1 [±3]
TWO PLACES	±.02 [±0.5]
THREE PLACES	±.005 [±0.13]
ANGLES ±1°	

DWG RELEASED TO CENTRAL FILE 06-10-96
 CAGE NO. 09922 ECN 3556 PC 862
 © FRAMATOME CONNECTORS USA INC. 1996



APPROVAL	DRWN	THC 01-04-73
	CHKD	TJS 05-21-73
	DSGN	JB 05-22-73
	MKT	FG 05-31-96
	QC	ZR 06-05-96
DRAWING SCALE: NONE		
DRAWING NO.	REV	
SA75001	14	
SHEET 3 OF 6		

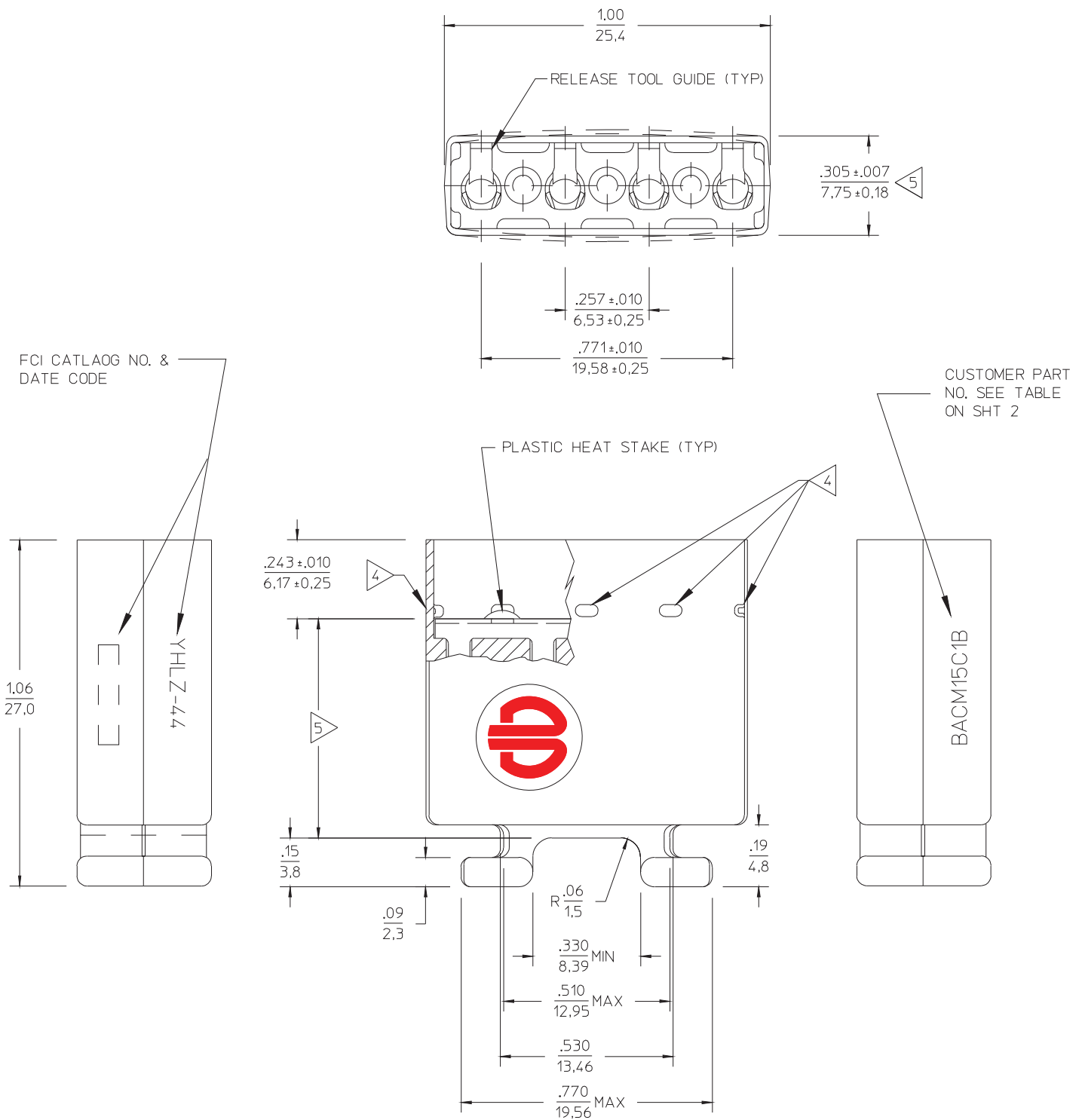


FIGURE 1

---	ALL REV. RECORDED ON SHT 1	---	---	---
REV	REVISION DESCRIPTION	BY	CHKD	DATE

YHLZ TERMINAL BLOCK MODULE ASSEMBLY

CAT NO. YHLZ-44_ (SEE TABLE)

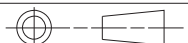
DWG RELEASED TO CENTRAL FILE 06-10-96

CAGE NO. 09922 | ECN 3556 | PC 862

© FRAMATOME CONNECTORS USA INC. 1996

LINEAR MEASURE: INCH mm INCH [mm]

THIRD ANGLE PROJECTION



- TOLERANCES -
UNLESS OTHERWISE SPECIFIED

NO OF DECIMAL PLACES IN INCHES	INCH [mm]
--------------------------------	-----------

ONE PLACE	±.1 [±3]
-----------	----------

TWO PLACES	±.02 [±0.5]
------------	-------------

THREE PLACES	±.005 [±0.13]
--------------	---------------

ANGLES ±1°

APPROVAL	DRWN	THC 01-04-73
	CHKD	TJS 05-21-73
	DSGN	JB 05-22-73
	MKT	FG 05-31-96
	QC	ZR 06-05-96

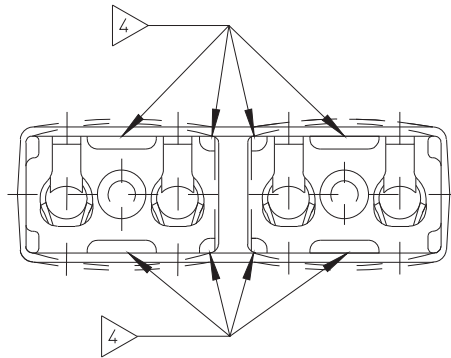
DRAWING SCALE 2 : 1

DRAWING NO	REV
------------	-----

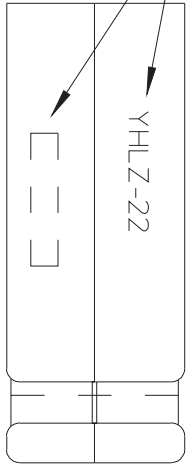
SA75001	14
---------	----

SHEET 4 OF 6

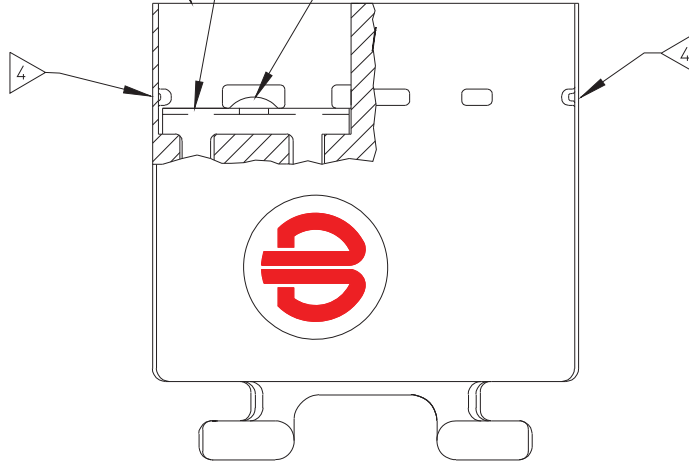




FCI CATALOG NO. & DATE CODE



BODY
MODULE SOCKET ASS'Y
PLASTIC HEAT STAKE (TYP)



CUSTOMER PART NO. SEE TABLE ON SHT 2

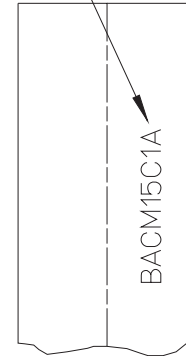


FIGURE 2

SEE FIG. 1 FOR ALL DIMENSIONS

---	ALL REV. RECORDED ON SHT 1	---	---	---
REV	REVISION DESCRIPTION	BY	CHKD	DATE

YHLZ TERMINAL BLOCK MODULE ASSEMBLY

CAT NO. YHLZ-22_ (SEE TABLE)

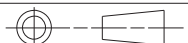
DWG RELEASED TO CENTRAL FILE 06-10-96

CAGE NO. 09922 | ECN 3556 | PC 862

© FRAMATOME CONNECTORS USA INC. 1996

LINEAR MEASURE: INCH mm INCH [mm]

THIRD ANGLE PROJECTION



- TOLERANCES -
UNLESS OTHERWISE SPECIFIED

NO OF DECIMAL PLACES IN INCHES	INCH [mm]
ONE PLACE	±.1 [±3]
TWO PLACES	±.02 [±0.5]
THREE PLACES	±.005 [±0.13]

ANGLES ±1°

APPROVAL	DRWN	THC	01-04-73
	CHKD	TJS	05-21-73
	DSGN	JB	05-22-73
	MKT	FG	05-31-96
	QC	ZR	06-05-96

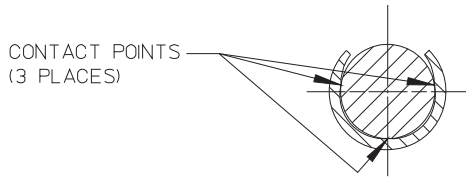
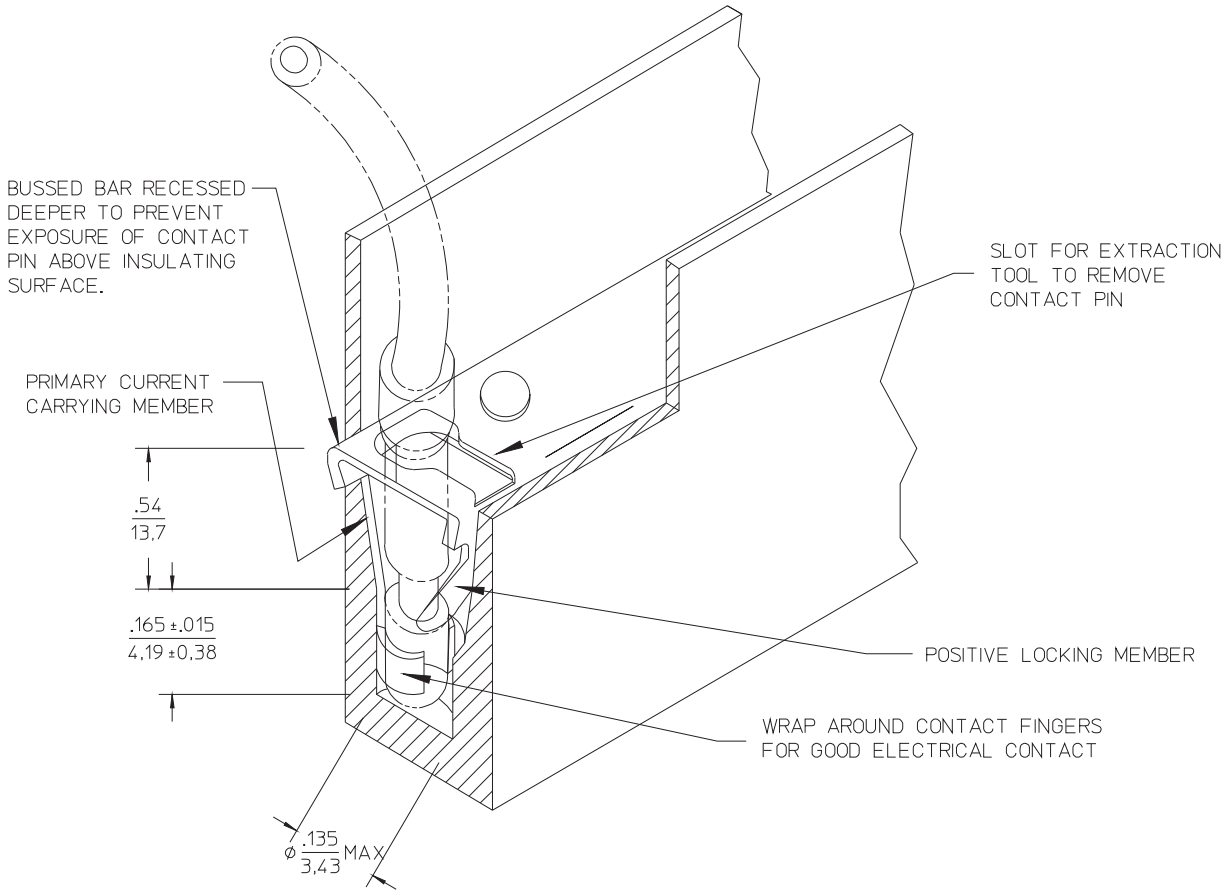
DRAWING SCALE 2 : 1

DRAWING NO | REV

SA75001 | 14

SHEET 5 OF 6





TYP SECTION - CONTACT & C- SPRING
SCALE 5:1

---	ALL REV. RECORDED ON SHT 1	---	---	---
REV	REVISION DESCRIPTION	BY	CHKD	DATE

YHLZ TERMINAL BLOCK MODULE ASSEMBLY

CAT NO. YHLZ-22_ & -44_ (SEE TABLE)

LINEAR MEASURE:	INCH mm	INCH [mm]
THIRD ANGLE PROJECTION		
- TOLERANCES - UNLESS OTHERWISE SPECIFIED		
NO OF DECIMAL PLACES IN INCHES	INCH [mm]	
ONE PLACE	±.1 [± 3]	
TWO PLACES	±.02 [± 0.5]	
THREE PLACES	±.005 [± 0.13]	
ANGLES $\pm 1^\circ$		

DWG RELEASED TO CENTRAL FILE 06-10-96
CAGE NO. 09922 | ECN 3556 | PC 862
© FRAMATOME CONNECTORS USA INC. 1996



APPROVAL	DRWN	THC	01-04-73
	CHKD	TJS	05-21-93
	DSGN	JB	05-22-93
	MKT	FG	05-31-96
	QC	ZR	06-05-96
DRAWING SCALE: NONE			
DRAWING NO.		REV	
SA75001		14	
SHEET 6 OF 6			

X-ON Electronics

Largest Supplier of Electrical and Electronic Components

Click to view similar products for [Terminal Junction Modules](#) category:

Click to view products by [Sunbank](#) manufacturer:

Other Similar products are found below :

[00175530502](#) [591900-1](#) [M81714/60-12-01](#) [M81714/60-20-06](#) [M81714/60-22-01](#) [M81714/65-12-1](#) [YCTD160E01FC108000](#)
[YCTJ122E01CC015000](#) [YHLZG16-2](#) [YHLZR-45](#) [YHLZ16-4](#) [YHLZ16-2](#) [YCTJ420E021C098000](#) [M81714/65-20-2](#) [YHLZ-8](#) [DL60R14-](#)
[15SN-090-6106](#) [00111520902](#) [YHLZG16-1](#) [00111520202](#) [TBH120450](#) [00176590602](#) [TJSE20506](#) [MX2000](#) [00172021000](#) [00111820202](#)
[ZPF000000000020152](#) [YTJ11E-06-04V00300](#) [FMJ11E20-06G](#) [M81714/60-16-02](#) [TJSE20110](#) [00175510702](#) [00176520402](#) [00175520802](#)
[TJSE20100](#) [TJSE22112](#) [TJT701020](#) [TJSE20111](#) [00176520502](#) [00175530302](#) [00175112000](#) [00176520202](#) [TJSE22843](#) [00175510802](#)
[00175521102](#) [00111521103](#) [CTD1062E05A-513](#) [M81714/61-0W](#) [TJSE20703](#) [BDX016016-2](#) [BDX016017-2](#)