

DWG. NO.

SA83900

# YHLZG GROUNDING TERMINAL BLOCKS

THIS DRAWING IS A CONTROLLED DOCUMENT FOR SOURIAU USA, INC.  
IT IS SUBJECT TO CHANGE WITHOUT NOTIFICATION.  
CONTACT THE DOCUMENT CONTROL CENTER FOR THE LATEST REVISION.

PRO-E

THE INFORMATION CONTAINED IN THIS DRAWING IS CONFIDENTIAL AND MAY NOT BE DISCLOSED WITHOUT WRITTEN CONSENT FROM SOURIAU USA, INC.

U	REVISED PER ECN 11727	RSK 05-25-12	SDH 05-25-12
T	REVISED PER ECN 10510	RKO 04-16-08	SDH 04-16-08
S	REVISED PER ECN 10338	FLR 11-21-07	SDH 11-21-07
R	REVISED PER ECN 9725	SDH 01-04-06	SDH 01-04-06
P	REVISED PER ECN 8187	SDH 12-18-03	SDH 12-18-03
13	REVISED PER ECN 4594	SAF 07-28-00	SDH 07-28-00
12	REVISED PER ECN 4401	SAF 07-09-99	TMN 07-09-99
11	SHT 2: MATERIAL FOR GROUND BUS BODY, ALUMINUM ALLOY QQA591 HAS BEEN SUPERSEDED BY ASTM B85 ALLOY SC84B (ECN 3685)	NLL 03-25-97	JDA 03-25-97
10	REVISED AND REDRAWN. DWG SIZE WAS 'E' SUPERSEDES DWGS SE83900 AND SE83907. SHT 7 ADDED ISOMETRIC SEALING TAPE VIEWS. SEE REV. REF. PRINT (ECN 3634)	FDH 01-28-97	JDA 01-28-97
REV	DESCRIPTION	BY DATE	CHKD DATE

DRAWING TITLE

**YHLZG TERMINAL GROUND BLOCK MODULE ASSEMBLY**

LINEAR MEASURE:  INCH [mm]

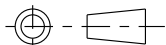
CAT NO.

**YHLZG \_ \_ \_ (SEE TABLE)**

THIRD ANGLE PROJECTION

CAGE NO.: 09922

SIZE: A



**CUSTOMER**



**SOURIAU**  
Connection Technology

[www.souriau.com](http://www.souriau.com)

APPROVAL

DRAWN:	RKO	04-16-08
CHKD :	SDH	04-16-08
DSGN :	LAS	04-25-08
MFG :		
QC :		

DRAWING SCALE: 1:1  
DRAWING NO. REV

SA83900 U

1 OF 6

TOLERANCES UNLESS OTHERWISE SPECIFIED	
No. OF PLACES	INCH [mm]
ONE PLACE	±.1 [±.3]
TWO PLACES	±0.02 [±.5]
THREE PLACES	±0.005 [±.13]
ANGLES ±1°	

INTERPRET THIS DRAWING IN ACCORDANCE WITH ASME Y14.5M - 1994.

DWG. NO.  
SA83900

NOTES: UNLESS OTHERWISE SPECIFIED.

1 TERMINAL GROUND BLOCKS ACCOMODATE SOURIAU 'YHMM' TYPE CONTACTS.  
SEE DRAWING SE66466. USE INSERTION/ REMOVAL TOOL 'J1276-\_'  
SEE DRAWINGS SC58867, SC65988, SC66580 AND SC69488.

MATERIAL:

GROUND BUS BODY : DIE CAST ALUMINUM ALLOY  
MODULE CONTACT : BERYLLIUM COPPER ALLOY  
PROTECTIVE COATING : POLYURETHANE

PLATING:

GROUND BUS BODY : CHROMATE CONVERSION COATING/ ALODINE IZOD OR IRRIDITE 14-2  
PER MIL-C-5541. CLASS 3 AND MIL-C-81706. CLASS 3. METHOD C  
COLOR GOLD TO OLIVE DRAB

MODULE CONTACT : GOLD OVER COPPER.  
PERFORMANCE CHARACTERISTICS:

CURRENT RATING : 70 AMPS MAX PER MODULE  
20 AMPS MAX PER CONTACT

CONTACT RESISTANCE : 1.75 MILLIOHMS  
(MOUNTING FLANGE HOLE TO  
WIRE AT END OF CONTACT)

CONTACT RETENTION : 25 LBS (111.2 NEWTONS)

THERMAL SHOCK : MIL-STD 202, METHOD 107D, CONDITION 'B' 5 CYCLES

VIBRATION : MIL-STD 202, METHOD 214. 8 HOURS EACH AXIS. ENVELOPE  
PER FIG 6 OF EACH BOEING SPEC D6-81926

SALT SPRAY : MIL-STD 202, METHOD 101D (48 HOURS)

MOISTURE RESISTANCE : MIL-STD 202, METHOD 106D (OMIT VIBRATION STEP 7b)

DURABILITY : 100 CYCLES.

CATALOG NUMBER TABLE		
SOURIAU CAT. NO.	NO. OF CONTACT POSITIONS	MTG. FLANGE ORIENTATION
YHLZG8-1	8	RIGHT ANGLE
YHLZG8-2		STRAIGHT
YHLZG16-1	16	RIGHT ANGLE
YHLZG16-2		STRAIGHT

DRAWING TITLE  
**YHLZG TERMINAL GROUND BLOCK MODULE ASSEMBLY**

LINEAR MEASURE:  INCH [mm]

CAT NO. **YHLZG \_ \_ \_ (SEE TABLE)**



CAGE NO.: 09922

SIZE: A

TOLERANCES UNLESS OTHERWISE SPECIFIED

**CUSTOMER**



**www.souriau.com**

APPROVAL	DRAWN: RKO	04-16-08
	CHKD : SDH	04-16-08
	DSGN : LAS	04-25-08
	MFG :	
	QC :	

No. OF PLACES	INCH [mm]
ONE PLACE	±.1 [±3]
TWO PLACES	±0.02 [±.5]
THREE PLACES	±0.005 [±.13]
ANGLES ±1°	

INTERPRET THIS DRAWING IN ACCORDANCE WITH ASME Y14.5M - 1994.

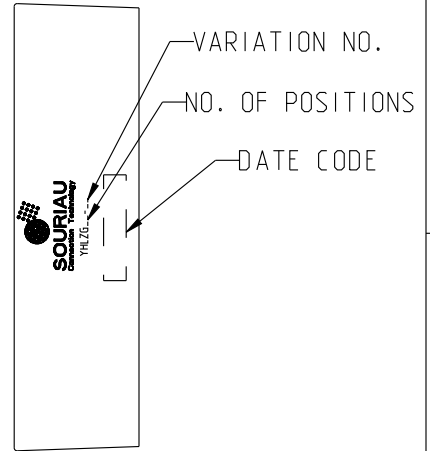
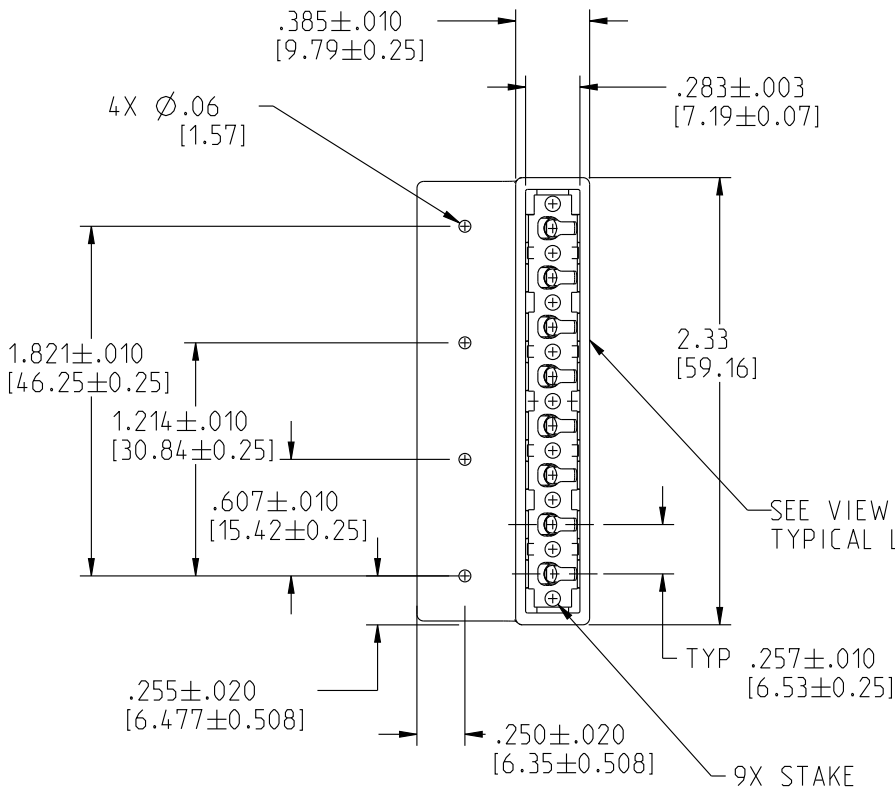
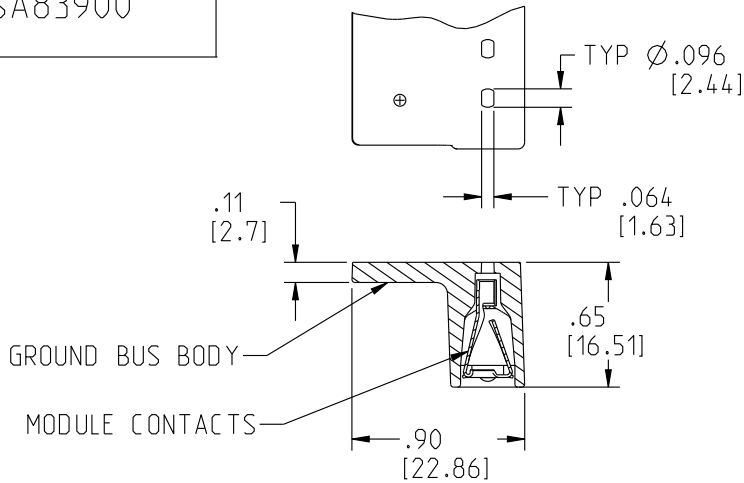
DRAWING SCALE: 1:1	
DRAWING NO.	REV
SA83900	U
2 OF 6	

THIS DRAWING IS A CONTROLLED DOCUMENT FOR SOURIAU USA, INC. IT IS SUBJECT TO CHANGE WITHOUT NOTIFICATION. CONTACT THE DOCUMENT CONTROL CENTER FOR THE LATEST REVISION.

**PRO-E**

THE INFORMATION CONTAINED IN THIS DRAWING IS CONFIDENTIAL AND MAY NOT BE DISCLOSED WITHOUT WRITTEN CONSENT FROM SOURIAU USA, INC.

DWG. NO.  
SA83900



TYPICAL LETTERING  
FOR ALL SIZES  
YHLZG8-1 SHOWN

YHLZG8-1  
WEIGHT 30 GRAMS

DRAWING TITLE  
**YHLZG TERMINAL GROUND BLOCK MODULE ASSEMBLY**

LINEAR MEASURE: INCH [mm]

CAT NO.

**YHLZG \_ \_ (SEE TABLE)**

THIRD ANGLE PROJECTION

CAGE NO.: 09922

SIZE: A

TOLERANCES UNLESS OTHERWISE SPECIFIED

**CUSTOMER**



APPROVAL	DRAWN: RKO	04-16-08
	CHKD : SDH	04-16-08
	DSGN : LAS	04-25-08
	MFG :	
	QC :	

No. OF PLACES	INCH [mm]
ONE PLACE	±.1 [±3]
TWO PLACES	±0.02 [±.5]
THREE PLACES	±0.005 [±.13]
ANGLES ±1°	

INTERPRET THIS DRAWING IN ACCORDANCE WITH ASME Y14.5M - 1994.

[www.souriau.com](http://www.souriau.com)

DRAWING SCALE: 1:1	
DRAWING NO.	REV
SA83900	U
3 OF 6	

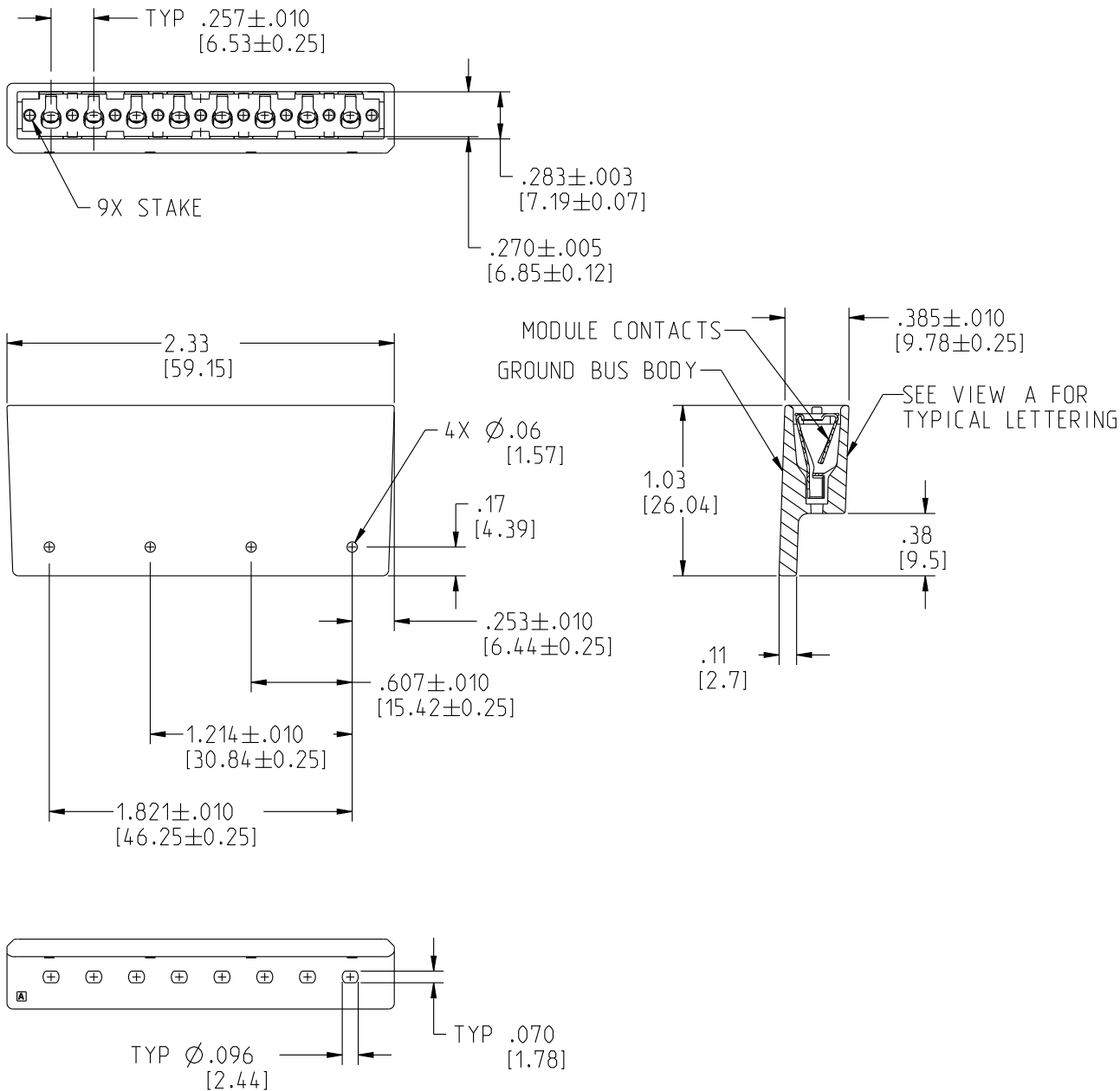
THIS DRAWING IS A CONTROLLED DOCUMENT FOR SOURIAU USA, INC. IT IS SUBJECT TO CHANGE WITHOUT NOTIFICATION. CONTACT THE DOCUMENT CONTROL CENTER FOR THE LATEST REVISION.

**PRO-E**

THE INFORMATION CONTAINED IN THIS DRAWING IS CONFIDENTIAL AND MAY NOT BE DISCLOSED WITHOUT WRITTEN CONSENT FROM SOURIAU USA, INC.


DWG. NO.

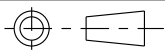
SA83900



YHLZG8-2  
WEIGHT 30 GRAMS

DRAWING TITLE  
**YHLZG TERMINAL GROUND BLOCK MODULE ASSEMBLY**

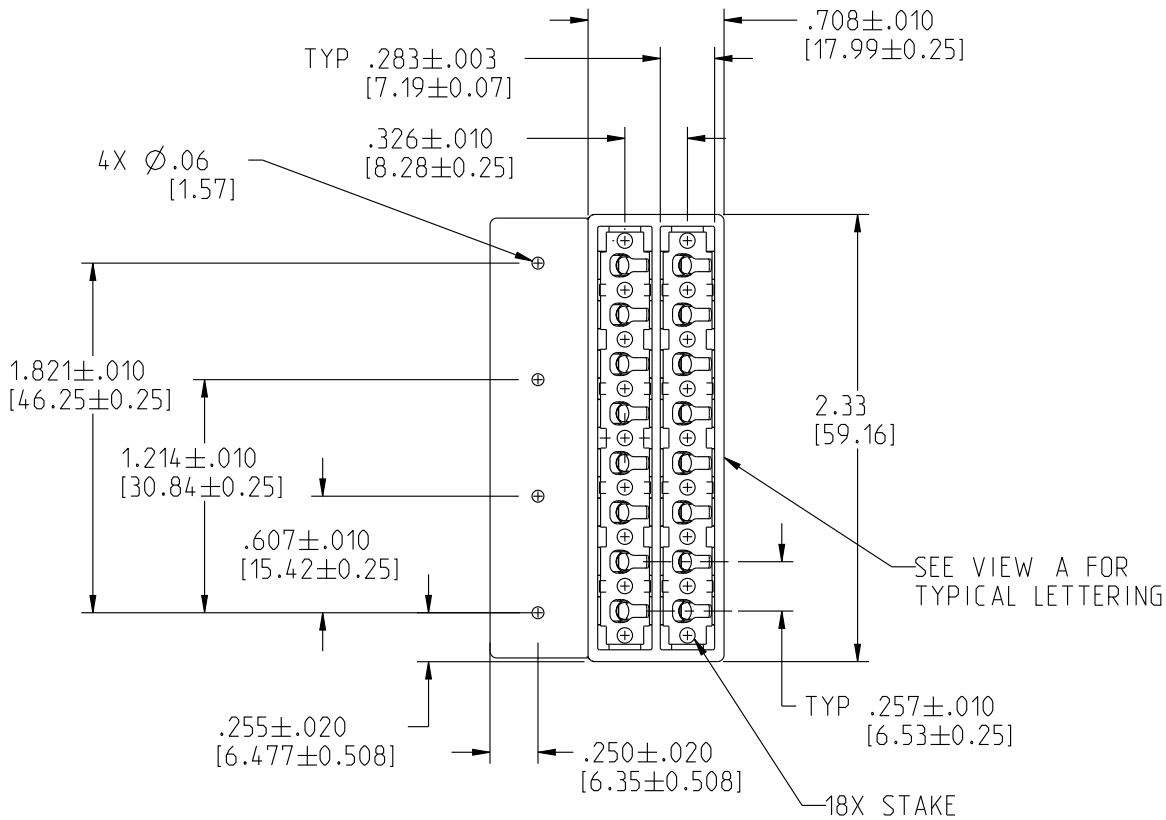
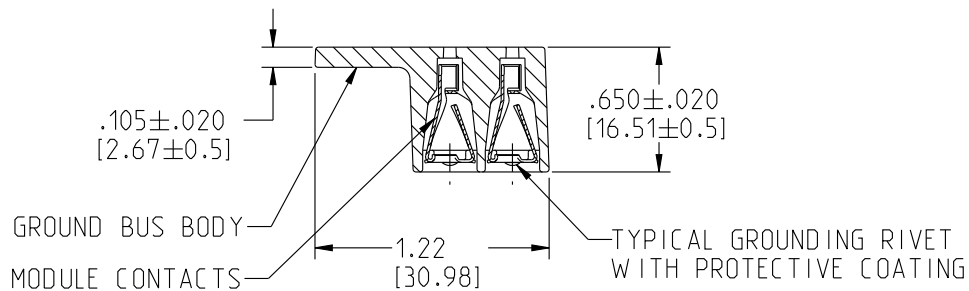
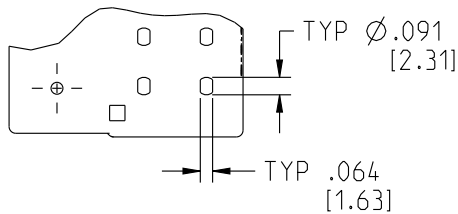
CAT NO.	<b>YHLZG _ _ _ (SEE TABLE)</b>		
CAGE NO.: 09922	SIZE: A	APPROVAL	DRAWN: RKO 04-16-08 CHKD : SDH 04-16-08 DSGN : LAS 04-25-08 MFG : QC :
<b>CUSTOMER</b>  INTERPRET THIS DRAWING IN ACCORDANCE WITH ASME Y14.5M - 1994.	 <b>SOURIAU</b> Connection Technology www.souriau.com	DRAWING SCALE: 1:1	
		DRAWING NO. SA83900	
		REV U	
		4 OF 6	

LINEAR MEASURE:	<b>INCH</b> [mm]
THIRD ANGLE PROJECTION	
TOLERANCES UNLESS OTHERWISE SPECIFIED	
No. OF PLACES	INCH [mm]
ONE PLACE	±.1 [±.3]
TWO PLACES	±0.02 [±.5]
THREE PLACES	±0.005 [±.13]
ANGLES ±1°	

THIS DRAWING IS A CONTROLLED DOCUMENT FOR SOURIAU USA, INC. IT IS SUBJECT TO CHANGE WITHOUT NOTIFICATION. CONTACT THE DOCUMENT CONTROL CENTER FOR THE LATEST REVISION.  
  
 PRO-E  
  
 THE INFORMATION CONTAINED IN THIS DRAWING IS CONFIDENTIAL AND MAY NOT BE DISCLOSED WITHOUT WRITTEN CONSENT FROM SOURIAU USA, INC.

DWG. NO.

SA83900





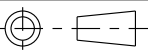
YHLZG16-1  
WEIGHT 50 GRAMS

DRAWING TITLE  
**YHLZG TERMINAL GROUND BLOCK MODULE ASSEMBLY**

CAT NO. **YHLZG \_ \_ \_ (SEE TABLE)**

CAGE NO.: 09922      SIZE: A

<b>CUSTOMER</b>	 <b>SOURIAU</b> Connection Technology www.souriau.com	DRAWN: RKO	04-16-08
		CHKD : SDH	04-16-08
INTERPRET THIS DRAWING IN ACCORDANCE WITH ASME Y14.5M - 1994.		DSGN : LAS	04-25-08
		MFG :	
APPROVAL QC :		DRAWING SCALE: 1:1	
		DRAWING NO.      REV	
5 OF 6		SA83900      U	
		5 OF 6	

LINEAR MEASURE:  INCH [mm]	
THIRD ANGLE PROJECTION 	
TOLERANCES UNLESS OTHERWISE SPECIFIED	
No. OF PLACES	INCH [mm]
ONE PLACE	±.1 [±3]
TWO PLACES	±0.02 [±.5]
THREE PLACES	±0.005 [±.13]
ANGLES ±1°	

THIS DRAWING IS A CONTROLLED DOCUMENT FOR SOURIAU USA, INC. IT IS SUBJECT TO CHANGE WITHOUT NOTIFICATION. CONTACT THE DOCUMENT CONTROL CENTER FOR THE LATEST REVISION.

**PRO-E**

THE INFORMATION CONTAINED IN THIS DRAWING IS CONFIDENTIAL AND MAY NOT BE DISCLOSED WITHOUT WRITTEN CONSENT FROM SOURIAU USA, INC.

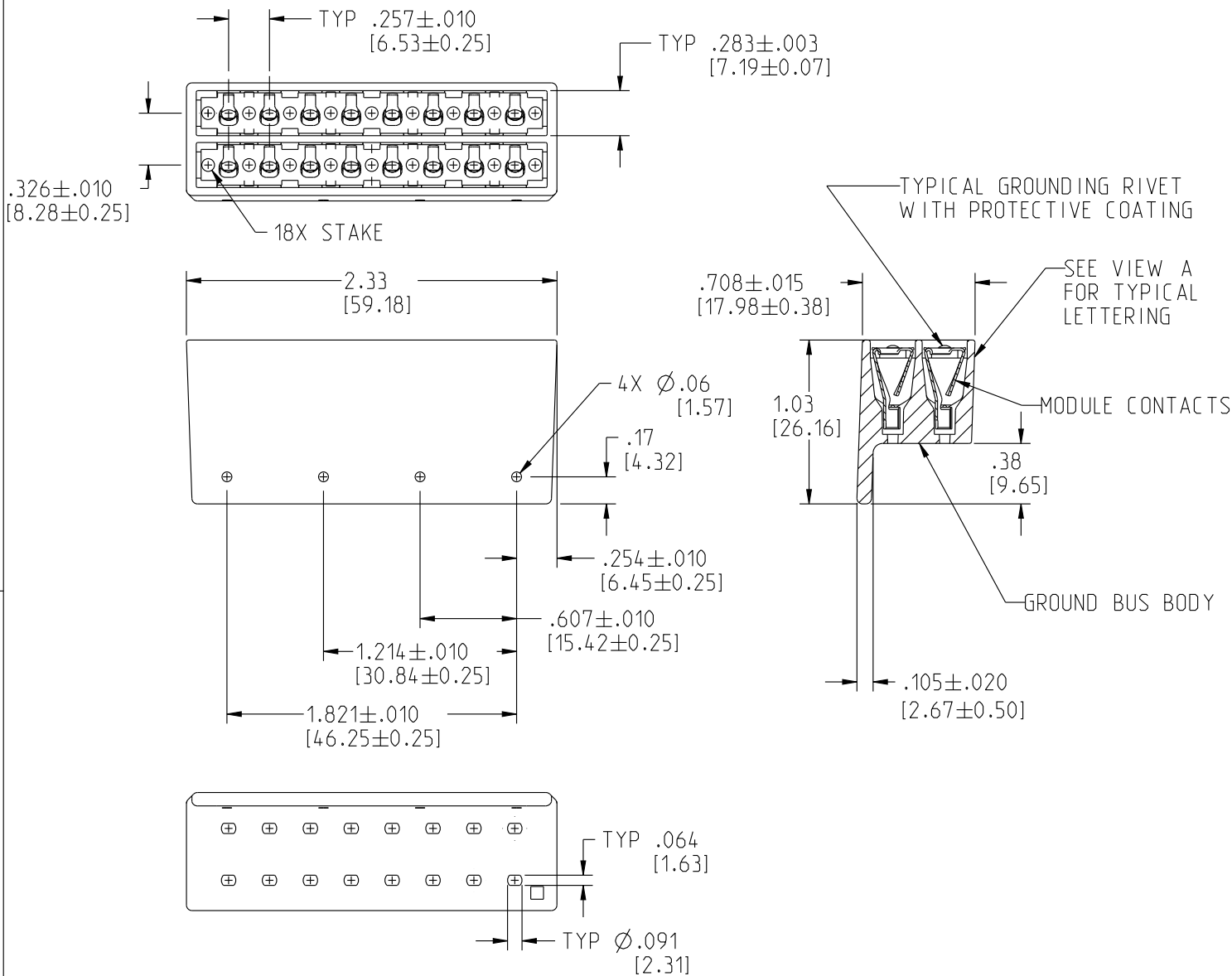
DWG. NO.

SA83900

THIS DRAWING IS A CONTROLLED DOCUMENT FOR SOURIAU USA, INC. IT IS SUBJECT TO CHANGE WITHOUT NOTIFICATION. CONTACT THE DOCUMENT CONTROL CENTER FOR THE LATEST REVISION.

PRO-E

THE INFORMATION CONTAINED IN THIS DRAWING IS CONFIDENTIAL AND MAY NOT BE DISCLOSED WITHOUT WRITTEN CONSENT FROM SOURIAU USA, INC.



YHLZG16-2  
WEIGHT 50 GRAMS

DRAWING TITLE		<b>YHLZG TERMINAL GROUND BLOCK MODULE ASSEMBLY</b>	
CAT NO.		<b>YHLZG _ _ _ (SEE TABLE)</b>	
LINEAR MEASURE:  INCH [mm]	CAGE NO.: 09922	SIZE: A	APPROVAL
THIRD ANGLE PROJECTION	<b>CUSTOMER</b>	 <b>SOURIAU</b> Connection Technology www.souriau.com	DRAWN: RKO 04-16-08
TOLERANCES UNLESS OTHERWISE SPECIFIED			CHKD : SDH 04-16-08
No. OF PLACES			DSGN : LAS 04-25-08
ONE PLACE ±.1 [±.3]			MFG :
TWO PLACES ±0.02 [±.5]			QC :
THREE PLACES ±0.005 [±.13]	DRAWING SCALE: 1:1		
ANGLES ±1°	DRAWING NO. SA83900		REV U
INTERPRET THIS DRAWING IN ACCORDANCE WITH ASME Y14.5M - 1994.			6 OF 6

## X-ON Electronics

Largest Supplier of Electrical and Electronic Components

*Click to view similar products for [Terminal Junction Modules](#) category:*

*Click to view products by [Sunbank](#) manufacturer:*

Other Similar products are found below :

[00175530502](#) [591900-1](#) [M81714/60-12-01](#) [M81714/60-20-06](#) [M81714/60-22-01](#) [M81714/65-12-1](#) [YCTD160E01FC108000](#)  
[YCTJ122E01CC015000](#) [YHLZG16-2](#) [YHLZR-45](#) [YHLZ16-4](#) [YHLZ16-2](#) [YCTJ420E021C098000](#) [M81714/65-20-2](#) [YHLZ-8](#) [DL60R14-](#)  
[15SN-090-6106](#) [00111520902](#) [YHLZG16-1](#) [00111520202](#) [TBH120450](#) [00176590602](#) [TJSE20506](#) [MX2000](#) [00172021000](#) [00111820202](#)  
[ZPF000000000020152](#) [YTJ11E-06-04V00300](#) [FMJ11E20-06G](#) [M81714/60-16-02](#) [TJSE20110](#) [00175510702](#) [00176520402](#) [00175520802](#)  
[TJSE20100](#) [TJSE22112](#) [TJT701020](#) [TJSE20111](#) [00176520502](#) [00175530302](#) [00175112000](#) [00176520202](#) [TJSE22843](#) [00175510802](#)  
[00175521102](#) [00111521103](#) [CTD1062E05A-513](#) [M81714/61-0W](#) [TJSE20703](#) [BDX016016-2](#) [BDX016017-2](#)