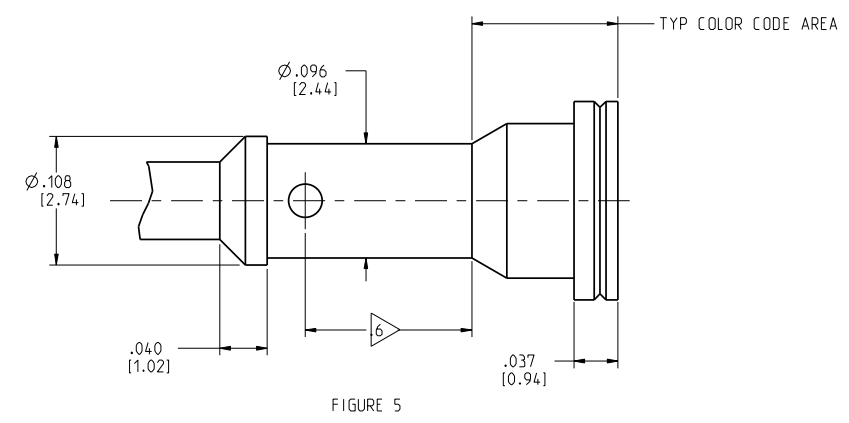
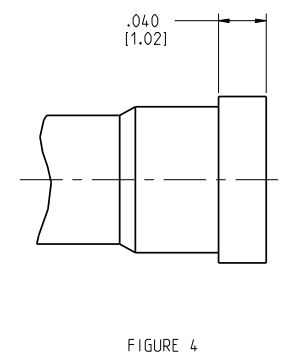
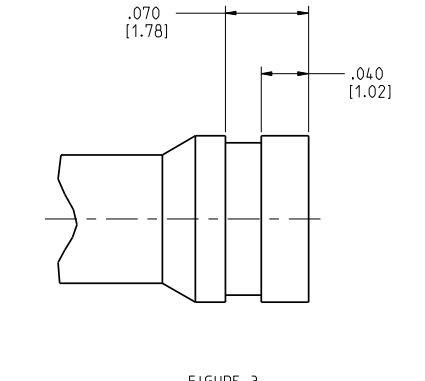
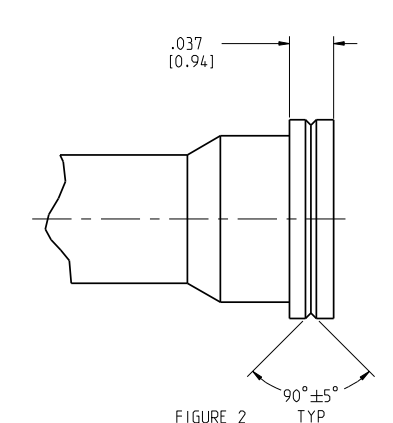
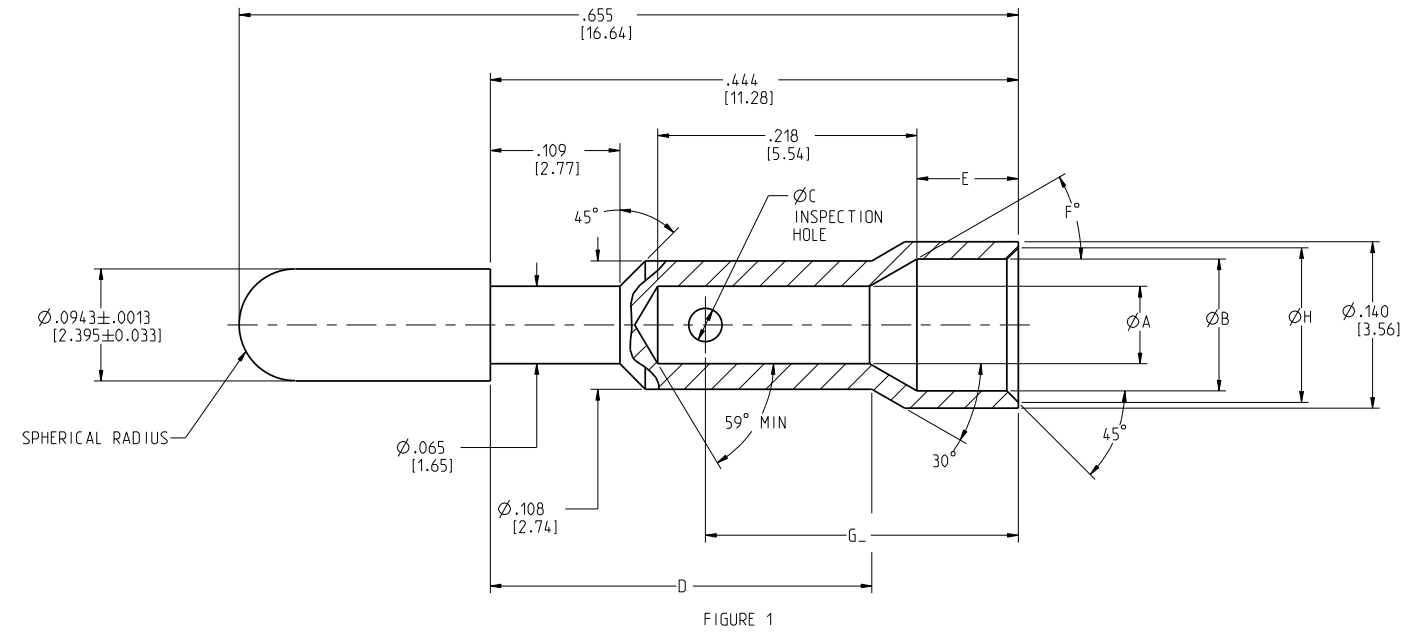


CATALOG NO.	BOEING PART NO.	FIGURE	ØA	ØB	ØC	D	E	F°	G <sub>-</sub>	H	WIRE SIZE RANGE	INSULATION DIA. RANGE	COLOR CODE	FINISH	MATERIAL	TOOLING	MAX. W.T. (g)
YHMM16-1F50	BACC47DE1	1	.065 [1.65]	.111 [2.82]	.040 [1.02]	.330 [8.38]	.085 [2.16]	30	.263 [6.68]	.130 [3.30]	16-20	.080-.110 [2.03-2.79]	--	SILVER	BRASS	M10S HYTOOL S1 DIE SET SL-53 STOP BUSHING	.556
YHMM16-3F50	----	3	.065 [1.65]	.084 [2.13]					.102 [2.59]	16-20	.067-.083 [1.70-2.11]	BLUE	.601				
YHMM16-4F50	BACC47DE5	3	.060 [1.52]	.084 [2.13]	.040 [1.02]	.330 [8.38]	.094 [2.39]	30	.249 [6.32]	.086 [2.18]	18-20	.056-.069 [1.42-1.75]	BLACK	SILVER	BRASS	M10S HYTOOL S1 DIE SET SL-53 STOP BUSHING	---
YHMM18-2F50	BACC47DE6	2	.054 [1.37]	.070 [1.78]					.263 [6.68]	.080 [2.03]	20-22	.047-.065 [1.19-1.65]	RED				.700
YHMM20-1F50	----	2	.044 [1.12]	.066 [1.68]	.028 [0.71]	.321 [8.15]	.094 [2.39]	30	.249 [6.32]	.100 [2.54]	24	.032-.045 [0.81-1.14]	GREEN	SILVER	BRASS	M10S HYTOOL S1 DIE SET SL-53 STOP BUSHING	---
YHMM24-1F50	BACC47DE8	5	.029 [0.74]	.046 [1.17]					.102 [2.59]	16-20	.063-.083 [1.60-2.11]	BLUE	.700				
YHMM16-5DB8	----	3	.060 [1.52]	.084 [2.13]	.028 [0.71]	.330 [8.38]	.085 [2.16]	45	.263 [6.68]	.108 [2.74]	22-24	.070-.080 [1.78-2.03]	BROWN	GOLD OVER COPPER	BRASS	M10S HYTOOL S1 DIE SET SL-53 STOP BUSHING	.686
YHMM20-2DB8	BACC47DE7	2	.044 [1.12]	.066 [1.68]					.080 [2.03]	22-24	.041-.065 [1.04-1.65]	GREEN	.748				
YHMM22-1DB8	BACC47DE3	4	.035 [0.89]	.087 [2.21]	.040 [1.02]	.330 [8.38]	.085 [2.16]	30	.249 [6.32]	.086 [2.18]	18-20	.056-.069 [1.42-1.75]	BLACK	GOLD OVER COPPER	BRASS	M10S HYTOOL S1 DIE SET SL-53 STOP BUSHING	.587
YHMM22-2DB8	BACC47DE4	2	.036 [0.91]	.066 [1.68]					.102 [2.59]	16-20	.063-.083 [1.60-2.11]	BLUE	.627				
YHMM16-6D28	BACC47DE1A	1	.065 [1.65]	.111 [2.82]	.040 [1.02]	.330 [8.38]	.085 [2.16]	30	.249 [6.32]	.086 [2.18]	18-20	.056-.069 [1.42-1.75]	BLACK	GOLD OVER COPPER	BRASS	M10S HYTOOL S1 DIE SET SL-53 STOP BUSHING	.659
YHMM16-7D28	BACC47DE5A	3	.060 [1.52]	.084 [2.13]					.102 [2.59]	16-20	.063-.083 [1.60-2.11]	BLUE	.693				
YHMM18-3D28	BACC47DE6A	2	.054 [1.37]	.070 [1.78]	.028 [0.71]	.321 [8.15]	.094 [2.39]	45	.263 [6.68]	.108 [2.74]	22-24	.070-.080 [1.78-2.03]	---	NICKEL	BRASS	M10S HYTOOL S1 DIE SET SL-53 STOP BUSHING	.686
YHMM20-3D28	BACC47DE7A	2	.044 [1.12]	.066 [1.68]					.080 [2.03]	22-24	.041-.065 [1.04-1.65]	GREEN	.712				
YHMM22-4D28	BACC47DE3A	4	.035 [0.89]	.087 [2.21]	.028 [0.71]	.321 [8.15]	.094 [2.39]	45	.263 [6.68]	.108 [2.74]	22-24	.070-.080 [1.78-2.03]	---	NICKEL	BRASS	M10S HYTOOL S1 DIE SET SL-53 STOP BUSHING	.686
YHMM22-5D28	BACC47DE4A	2	.036 [0.91]	.066 [1.68]					.080 [2.03]	22-24	.041-.065 [1.04-1.65]	GREEN	.712				
YHMM24-3D28	BACC47DE8A	5	.029 [0.74]	.046 [1.17]	.024 [0.61]	.321 [8.15]	.094 [2.39]	30	.249 [6.32]	.100 [2.54]	24	.032-.045 [0.81-1.14]	VIOLET	NICKEL	BRASS	M10S HYTOOL S1 DIE SET SL-53 STOP BUSHING	.698

- NOTES: UNLESS OTHERWISE SPECIFIED
- MATERIAL:
    - LEADED BRASS PER ASTM B 453.
    - LEADED COPPER C18700 PER ASTM B 301.
  - FINISH:
    - SILVER PLATE PER QQ-S-365, EXCEPT THICKNESS SHALL BE 200 µ-INCH (5.08 MICRONS) MIN.
    - 30 µ-IN (0.76 MICRONS) MIN GOLD OVER 100 µ-IN (2.54 MICRONS) MIN COPPER.
    - 30 µ-IN (0.76 MICRONS) MIN GOLD OVER 50-200 µ-IN (1.27-5.08 MICRONS) NICKEL PER QQ-N-290 OVER COPPER FINISH.
  - CONTACT CAN ACCOMMODATE CABLES PER THE FOLLOWING SPECS. MIL-W-5086 & MIL-W-81044.
  - TO ORDER CONTACTS ON AN EXPENDABLE CARRY STRIP FOR USE WITH THE SOURIAU YD-2 HYPRESS, ADD THE PREFIX 'M' TO THE SOURIAU CONTACT CATALOG NUMBER I.E., 'MYHMM16-1F50'
  - TO ORDER CONTACTS ON AN EXPENDABLE CARRY STRIP FOR USE WITH THE SOURIAU BANDOMATIC CRIMP TOOL ADD THE PREFIX 'C' TO THE SOURIAU CONTACT CATALOG NUMBER. I.E., 'CYHMM16-1F50'
  - COLOR CODING FOR YHMM22-5D28 (GREEN) AND YHMM16-D28 (BLUE) TO BE MARKED IN THIS AREA ONLY. (SEE FIG 5)

THIS DRAWING IS A CONTROLLED DOCUMENT FOR SOURIAU USA, INC. CONTACT THE DOCUMENT CONTROL CENTER FOR THE LATEST REVISION.



REFERENCE:  
 WSD60451  
 WSD68707  
 WSD69533  
 DS131

SUPERSEDES:  
 SC66075-1  
 SC58285-0  
 SC54533-12  
 SD66466-24

AD	REVISED PER ECN10186	GRB	FLR
27	IN TABLE FOR CAT. NO YHMM22-1B8 COLOR CODE 'BROWN' WAS NONE TO NOTE 7 ADDED AND YHMM16-7D28 (BLUE, FLAGGED NOTE 7 TO CAT. NO. YHMM16-7D28 (ECN3387))	1-19-07	1-19-07
26	ADDED NOTE 7 & DIM FLAG 7 TO FIG 5 (ECN3387)	DET	FDH
25	REVISED AND REDRAWN PER ECN 15029)	9-15-95	09-15-95
REV	ECN NUMBER	BY	CHKD
		DATE	DATE

**TERMINAL BLOCK MODULE CONTACT**

CAT NO. **YHMM - - - (SEE TABLE)**

CAGE NO: 09922 SIZE: C

**CUSTOMER**

INTERPRET THIS DRAWING IN ACCORDANCE WITH ASME Y14.5M - 1994.

APPROVAL:

DRAWN: GRB	01-19-07
CHKD: FLR	01-19-07
DSGN: AER	08-21-68
MFG: XXX	01-19-07
QC: BDB	01-19-07
DRAWING SCALE: 10:1	
DRAWING NO. <b>SE66466</b>	REV <b>AD</b>

www.souriau.com

1 OF 1

THE INFORMATION CONTAINED IN THIS DRAWING IS CONFIDENTIAL AND MAY NOT BE DISCLOSED WITHOUT WRITTEN CONSENT FROM SOURIAU USA, INC.

## **X-ON Electronics**

Largest Supplier of Electrical and Electronic Components

*Click to view similar products for [Junction System Contacts](#) category:*

*Click to view products by [Sunbank](#) manufacturer:*

Other Similar products are found below :

[001104 300 04](#) [CNS081900](#) [CNS115900](#) [00110430002](#) [YHMM20-2DB8](#) [00110420002](#) [CNS126900](#) [YHMM22-2DB8](#) [1-592404-1](#) [2-592404-1](#)