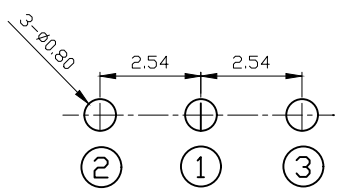
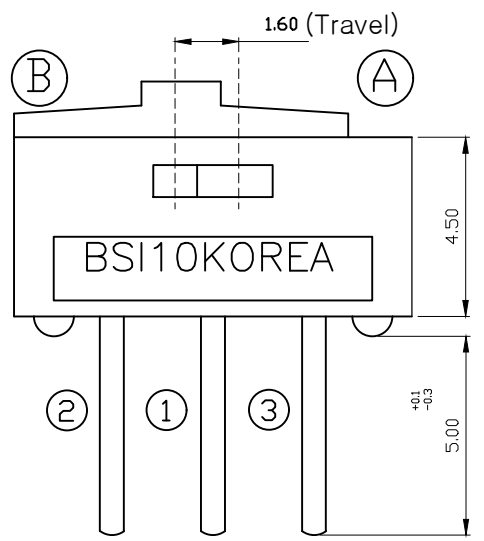
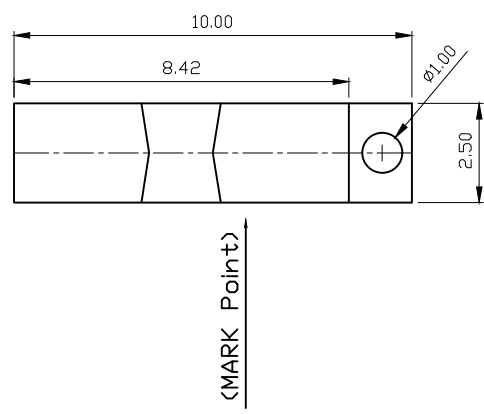
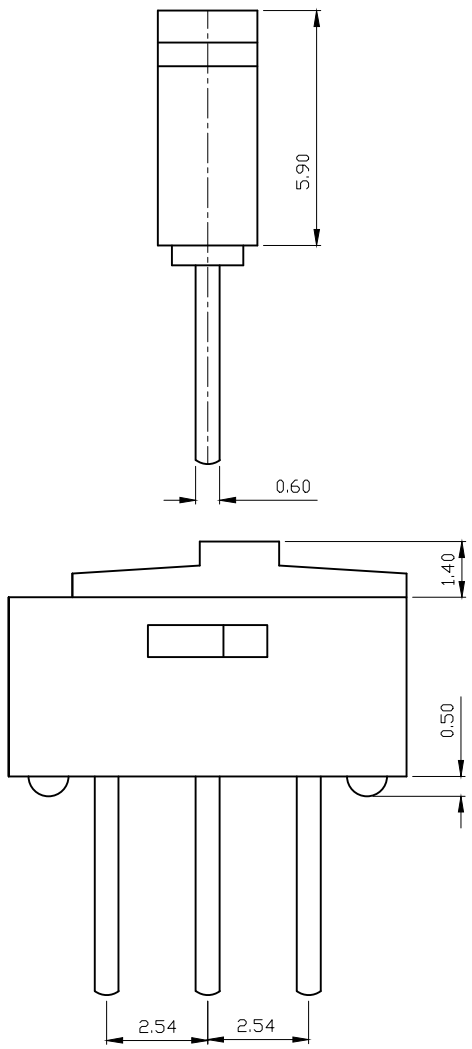


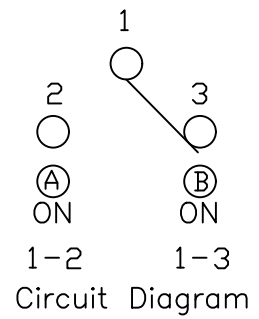
MARK	DATE	REMARKS
△		
△		



P.C.B DIMENSION

SPECIFICATION

1. Rating : 0.5A, DC 12V~0.3A, DC24V
2. Contact Resistance : 30mΩ Max
3. Travel : 1.6mm
4. Operating Force : 250gf ±150gf Max
5. Life cycle : 2,000 Cycle(with load)



NO.	DWG No.	Q'TY	MAT'L	SPEC'	FINISH	REMARKS
3ANG	UNIT M/M	SCL	MODEL NAME. MINI SLIDE SWITCH			
APPD.	CHKD.	D'SGD	TITLE BSI-10			
K.I LEE	J.P ROH	W.J LEE	DRAWG. NO.		Sheet No.	REV C
SUNGMUN ELECTRONICS CO.,LTD						

2. Mechanical Characteristics :

2-1 Operating Force : 250 ± 150gf

2-2 Travel : 1.6mm

2-3 Insulator :

2-3-1 Case : Glass Fiber resin

2-3-2 Slide : Glass Fiber resin

2-4 Terminal : Nickel, Gold Plate

3. Life Test :

3-1 Test Condition : Operations at a rate of 15-20 cycles in 1 minute

3-1-1 With load : 2,000 cycles

3-1-2 Without load : 10,000 cycles

3-2 Operating Force : With +40%, -40% of Initial Value

3-3 Contact Resistance : Max 200mΩ

4. Environmental Characteristics :

4-1 Operating Temperature : -40°C to +85°C

4-2 Storage Temperature : -40°C to +85°C

4-3 Humidity Test :

4-3-1 Test Conditions : Measured 1 hour after exposure to ambient

After 96 hours exposure at 40±2°C, 90-95%R.H

4-3-2 Insulation Resistance : Min 100 MΩ at DC 500V

4-3-3 Withstanding Voltage : 1 min at AC 250V

5. Solder Conditions :

5-1 Hand Solder : 3~4 sec. at 350°C

5-2 Wave Solder : 5 sec. at 260°C

X-ON Electronics

Largest Supplier of Electrical and Electronic Components

Click to view similar products for [Toggle Switches](#) category:

Click to view products by [Sungmun](#) manufacturer:

Other Similar products are found below :

[A19HV](#) [8A1-C-222](#) [60012L](#) [6006L](#) [6663](#) [7101MD9V30GE](#) [7101SPDV30BE](#) [7103SDV30BE](#) [7105D](#) [7108P3YAV2BE](#) [71YY50282](#)
[7201MD9AVBE](#) [7301K38](#) [7306K36](#) [7310K36](#) [7314K36](#) [7506K4](#) [7592K6](#) [7691K14](#) [7700K1](#) [8396K108](#) [8824K14](#) [8828K13](#) [G3VX](#) [PS83-](#)
[121G](#) [A101MD9AB04](#) [A101SD9AB04](#) [A101SDCQ04](#) [A103SD9AQ04](#) [A107TZB04](#) [A123P32YZQ](#) [A123S1YZG](#) [A127S1YCQ](#) [1-1825192-](#)
[0](#) [A131S1YZQ](#) [A201SCWZB04](#) [A207SYCB04](#) [A208J61ZQ0004](#) [A221K12KAG](#) [A221S1YZQ](#) [A221T1TCQ](#) [A232K12KZQ](#) [A232M1YCQ](#)
[A323S1CWZQ](#) [A423S1CWZG-M8](#) [A423S1YZQ](#) [12149A-3V](#) [12156AX408](#) [12147AGKX679](#) [12149AD2G0383VX408](#)