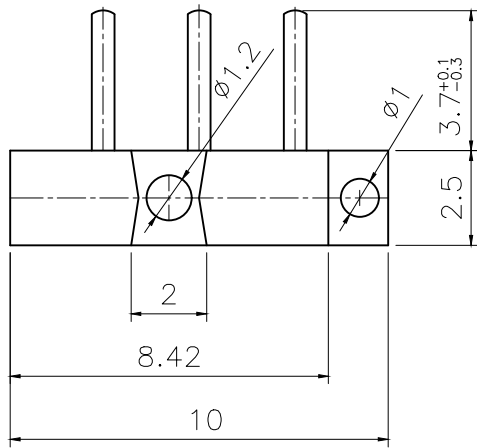


DATA SHEET

SUNGMUN CODE : BSIL-10H
DESCRIPTION : SLIDE SWITCH

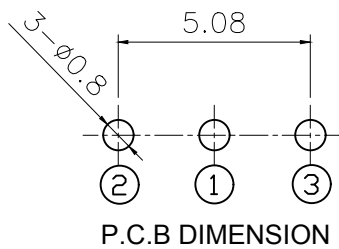
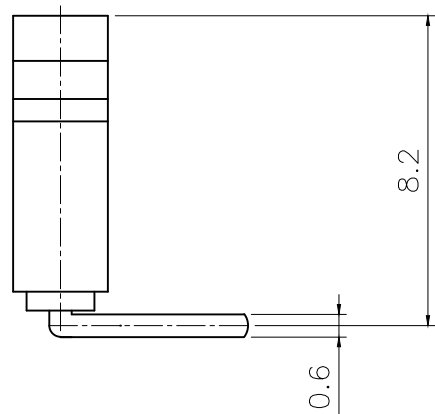
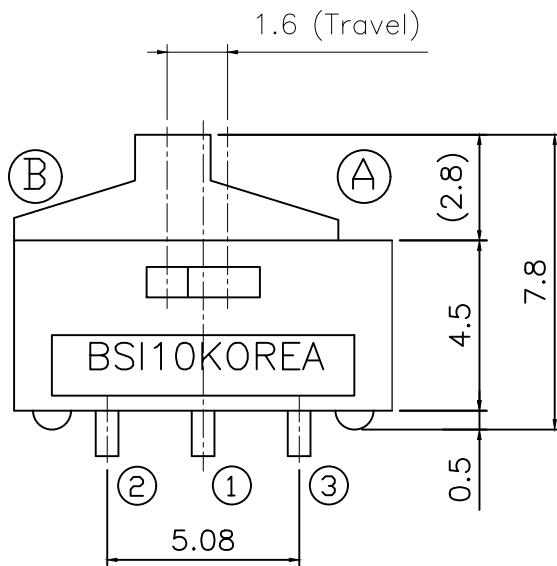
SUNGMUN ELECTRONICS CO., LTD.

Address 301-302, Bucheon Technopark 345, Seokcheon-ro, Ojeong-gu
Bucheon-si, Gyeonggi-do, Korea
TEL. +82-32-328-1941~4
FAX +82-32-328-1945
E-mail sungmun@sungmun.co.kr
Website www.sungmun.com



SPECIFICATION

1. Rating : 0.5A, DC 12
2. Contact Resistance
3. Travel : 1.6mm
4. Operating Force :
5. Life cycle : 2,000



2
C
A
OF
1-
Circu

NO.	DWG No.	QTY	
3ANG	UNIT M/M	SCL	MOD
APPD.	CHKD.	D'SGD	TITL
K.I LEE	S.M PARK	W.J LEE	DRA NO.

1. Electrical Characteristics :

- 1-1 Rating : AC, DC 12V 0.5A ~ 24V 0.3A (Minimum current: 1mA)
- 1-2 Contact Resistance : Max 30mΩ
- 1-3 Insulation Resistance : Min 10,000 MΩ at DC 500V
- 1-4 Withstanding Voltage : 1min at AC 500V

2. Mechanical Characteristics :

- 2-1 Operating Force : 250 ± 150gf
- 2-2 Travel : 1.6mm
- 2-3 Insulator :
 - 2-3-1 Case : Glass Fiber resin
 - 2-3-2 Slide : Glass Fiber resin
- 2-4 Terminal : Nickel, Gold Plate

3. Life Test :

- 3-1 Test Condition : Operations at a rate of 15-20 cycles in 1 minute
 - 3-1-1 With load : 2,000 cycles
 - 3-1-2 Without load : 10,000 cycles
- 3-2 Operating Force : With +40%, -40% of Initial Value
- 3-3 Contact Resistance : Max 200mΩ

4. Environmental Characteristics :

- 4-1 Operating Temperature : -40°C to +85°C
- 4-2 Storage Temperature : -40°C to +85°C
- 4-3 Humidity Test :
 - 4-3-1 Test Conditions : Measured 1 hour after exposure to ambient
After 96 hours exposure at 40±2°C, 90-95%R.H
 - 4-3-2 Insulation Resistance : Min 100 MΩ at DC 500V
 - 4-3-3 Withstanding Voltage : 1 min at AC 250V

5. Solder Conditions :

- 5-1 Hand Solder : 3~4 sec. at 350°C
- 5-2 Wave Solder : 5 sec. at 260°C

X-ON Electronics

Largest Supplier of Electrical and Electronic Components

Click to view similar products for [Toggle Switches](#) category:

Click to view products by [Sungmun](#) manufacturer:

Other Similar products are found below :

[A19HV](#) [8A1-C-222](#) [60012L](#) [6006L](#) [6663](#) [7101MD9V30GE](#) [7101SPDV30BE](#) [7103SDV30BE](#) [7105D](#) [7108P3YAV2BE](#) [71YY50282](#)
[7201MD9AVBE](#) [7301K38](#) [7306K36](#) [7310K36](#) [7314K36](#) [7506K4](#) [7592K6](#) [7691K14](#) [7700K1](#) [8396K108](#) [8824K14](#) [8828K13](#) [G2VX](#) [G3VX](#)
[PS83-121G](#) [A101MD9AB04](#) [A101SD9AB04](#) [A101SDCQ04](#) [A103SD9AQ04](#) [A107TZB04](#) [A123P32YZQ](#) [A123S1YZG](#) [A127S1YCQ](#) [1-](#)
[1825192-0](#) [A131S1YZQ](#) [A201SCWZB04](#) [A207SYCB04](#) [A208J61ZQ0004](#) [A221K12KAG](#) [A221S1YZQ](#) [A221T1TCQ](#) [A232K12KZQ](#)
[A232M1YCQ](#) [A323S1CWZQ](#) [A423S1CWZG-M8](#) [A423S1YZQ](#) [12149A-3V](#) [12156AX408](#) [12147AGKX679](#)