

DATA SHEET

SUNGMUN CODE : NSI-20H
DESCRIPTION : SLIDE SWITCH

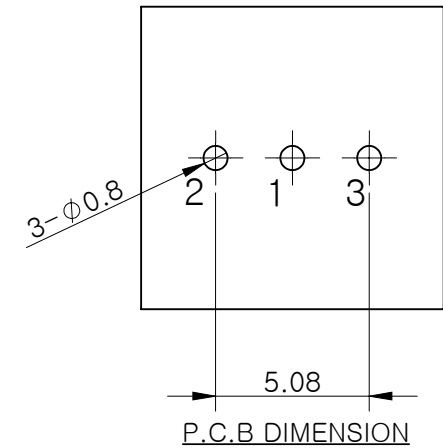
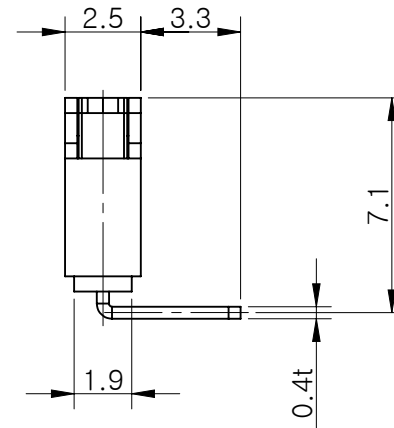
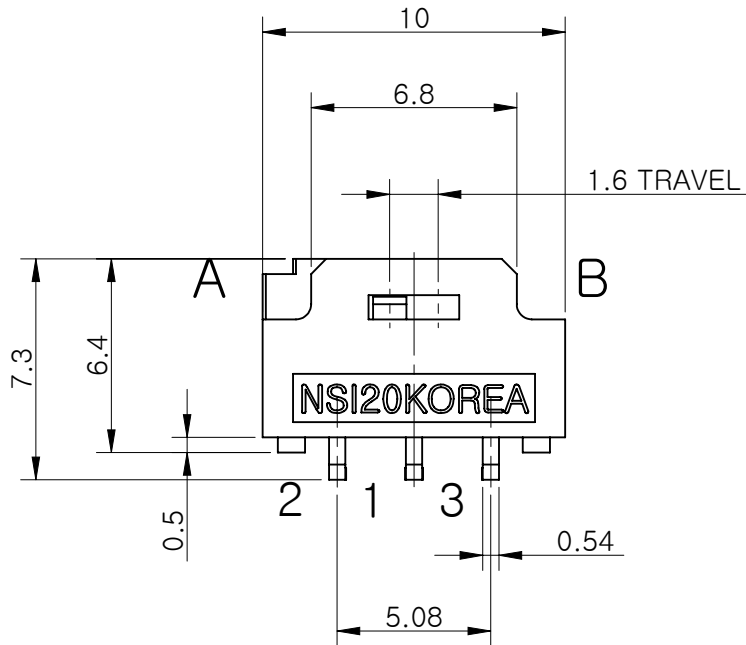
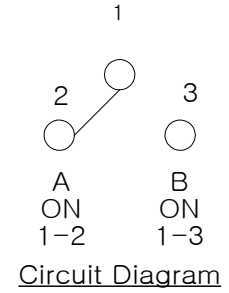
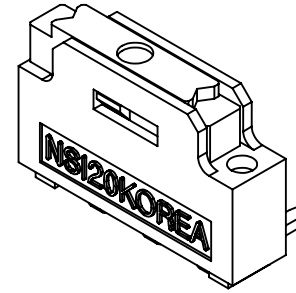
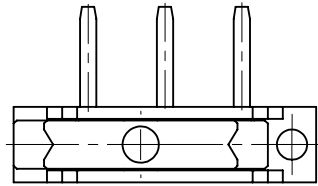
SUNGMUN ELECTRONICS CO., LTD.

Address 301-302,Bucheon Technopark 345, Seokcheon-ro, Ojeong-gu
Bucheon-si, Gyeonggi-do, Korea
TEL. +82-32-328-1941~4
FAX +82-32-328-1945
E-mail sungmun@sungmun.co.kr
Website www.sungmun.com

MRK.	DATE	REVISION	SIGN
△			

SPECIFICATION

1. Rating : 0.5A, DC 12V~0.3A, DC24V
2. Contact Resistance : 30mΩ Max
3. Travel : 1.6mm
4. Operating Force : 250gf±150gf
5. Life cycle : 2,000 Cycle(with load)



01	SLIDE SWITCH NSI-20	재질 <지정안함>	1	-		
NO.	DESCRIPTION	MATERIAL	COLOR/FINISH	VENDOR		
DRAW/DESIGNED	CHECKED	APPROVED	G.TOL	TITLE		
			±0.1	SLIDE SWITCH NSI-20		
			UNIT	SCALE	MODEL	SHEET
2017-01-18			mm	4:1	NSI-20H	
SUNGMUN ELECTRONICS CO.,LTD			SIZE	DRAW NO.	NSI0-200H0-01	1/1
			A4			

1. Electrical Characteristics :

- 1.1 Rating : AC, DC 12V 0.5A~24V 0.3A (Minimum current: 1mA)
- 1.2 Contact Resistance : Max 30 mΩ
- 1.3 Insulation Resistance : Min 10,000 MΩ at DC 500V
- 1.4 Withstanding Voltage : 1min at AC 500V

2. Mechanical Characteristics :

- 2.1 Operating Force : 250gf ± 150gf
- 2.2 Travel : 1.6mm
- 2.3 Insulator :
 - 2.3.1 Case : Glass Fiber resin
 - 2.3.2 Slide : Glass Fiber resin
- 2.4 Terminal : Nickel, Gold Plate

3. Life Test :

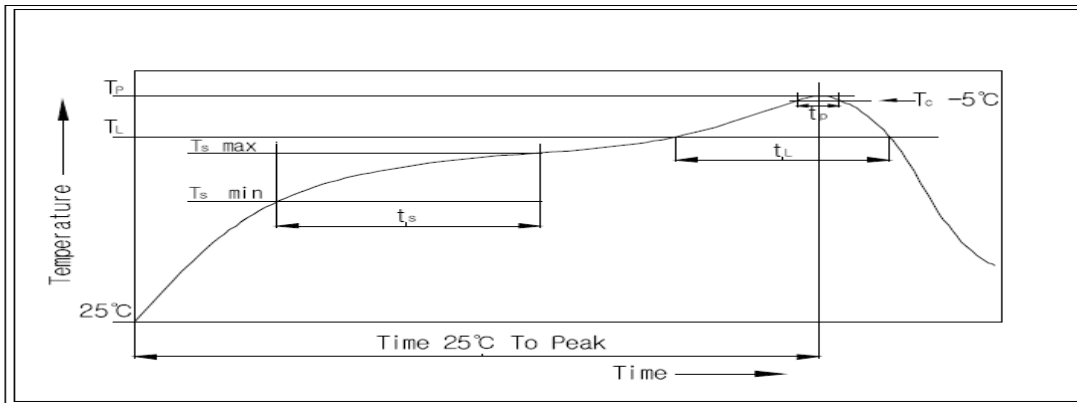
- 3.1 Test Condition : Operations at a rate of 15-20 cycles in 1 minute
 - 3.1.1 With load : 2,000 cycles
 - 3.1.2 Without load : 10,000 cycles
- 3.2 Operating Force : With +40%, -40% of Initial Value
- 3.3 Contact Resistance : Max 200mΩ

4. Environmental Characteristics :

- 4.1 Operating Temperature : -40°C to +85°C
- 4.2 Storage Temperature : -40°C to +85°C
- 4.3 Humidity Test :
 - 4.3.1 Test Conditions : Measured 1hour after exposure to ambient
After 96hours exposure at 40±2°C, 90-95% R.H
 - 4.3.2 Insulation Resistance : Min 100MΩ, at DC 500V
 - 4.3.3 Withstanding Voltage : 1min at AC 250V

5. Solder Conditions :

- 5.1 Hand Solder : 3~4 sec. at 350°C (Dipping type)
- 5.2 Wave Solder : 5 sec. at 260°C (Dipping type)
- 5.3 Reflow Solder (SMD type)



5.3.1 Condition for Soldering

Profile Feature	Pb-Free Assembly
Average Ramp-UP Rate($T_{s\ max}$ to T_P)	3°C/second max
Preheat	
- Temperature Min($T_{s\ min}$)	150°C
- Temperature Max($T_{s\ max}$)	200°C
- Time ($t_{s\ min}$ to $t_{s\ max}$)	60-180seconds
Time maintained above:	
- Temperature (T_L)	217°C
- Time (t_L)	60-150seconds
Peak/Classification Temperature(T_P)	260°C +0°C/ -5°C
Time within 5°C of actual Peak Temperature(T_P)	5~10 seconds
Ramp-Down Rate	6°C/sec max
Time 25°C to Peak Temperature	8 minutes max

X-ON Electronics

Largest Supplier of Electrical and Electronic Components

Click to view similar products for [Slide Switches](#) category:

Click to view products by [Sungmun](#) manufacturer:

Other Similar products are found below :

[6-1437581-1](#) [M43R](#) [MHS123K15D](#) [MHS133K](#) [MMD](#) [MSS12A](#) [1825074-1](#) [1825160-3](#) [1825167-2](#) [1825289-7](#) [K232CB](#) [25139NLDB](#)
[25449NAH](#) [SLB1240R45](#) [1825078-1](#) [1825080-4](#) [1825269-1](#) [1825270-2](#) [STS141RA04](#) [T2215BEN506](#) [GH46P000001](#) [GH49P010001](#)
[M42A](#) [AYZ0202AG](#) [L203091MS02Q](#) [4-1437581-7](#) [48BFSP3M2QT](#) [1101M1S3ZB8E2](#) [1-1437581-1](#) [EG1218REDACTUATOR](#)
[MSS2225G04](#) [MSS42G](#) [T105S1CWZBE](#) [SLB124145](#) [SLB1280R5](#) [TG39W000050](#) [25149NAH](#) [25439NAH](#) [25436NAH6](#) [TG36Y000050](#)
[NK236X693](#) [SL-1211C1B8](#) [46204LRX](#) [1977143-4](#) [1977144-4](#) [HASS0194](#) [JS0001](#) [SSJ12R04](#) [880092](#) [GR5-1323-0800](#)