

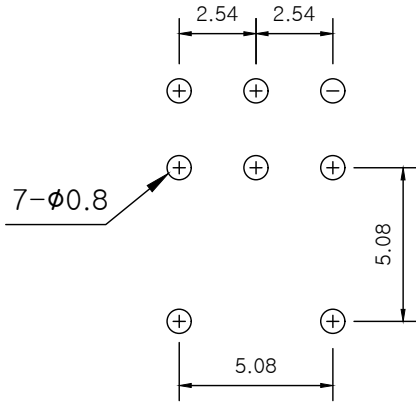
# DATA SHEET

**SUNGMUN CODE :** SP-22SH  
**DESCRIPTION :** PUSH SWITCH

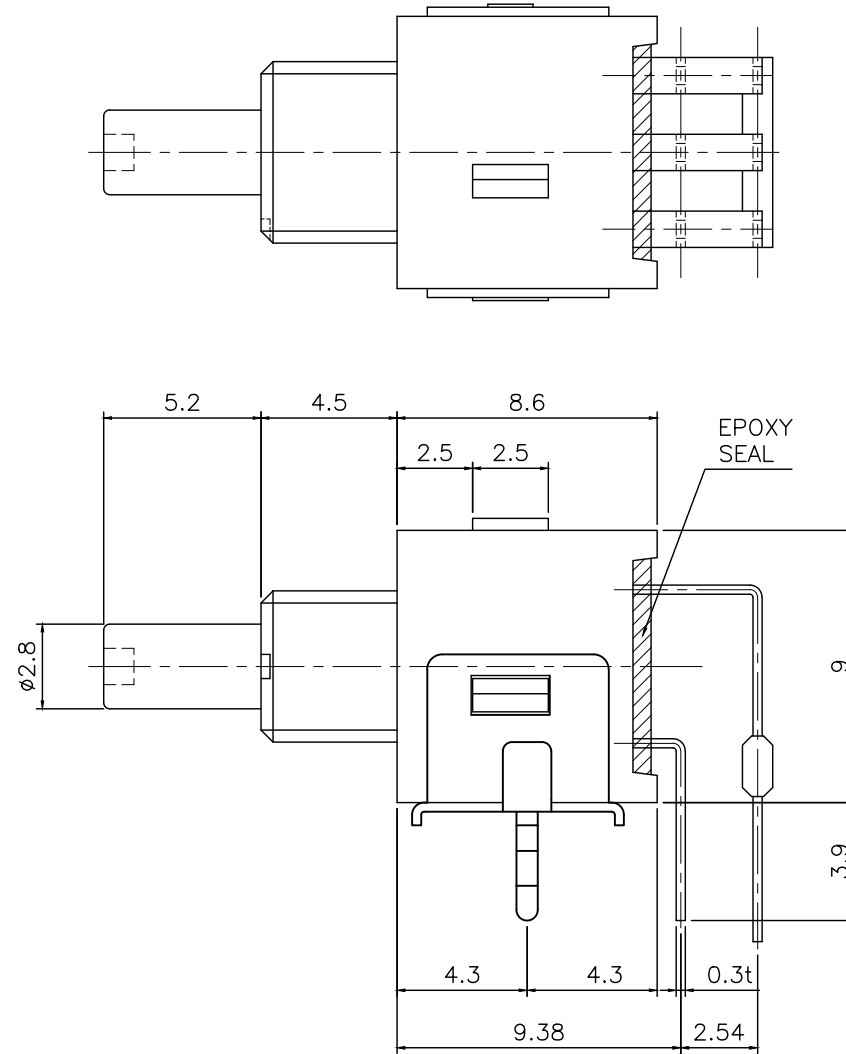
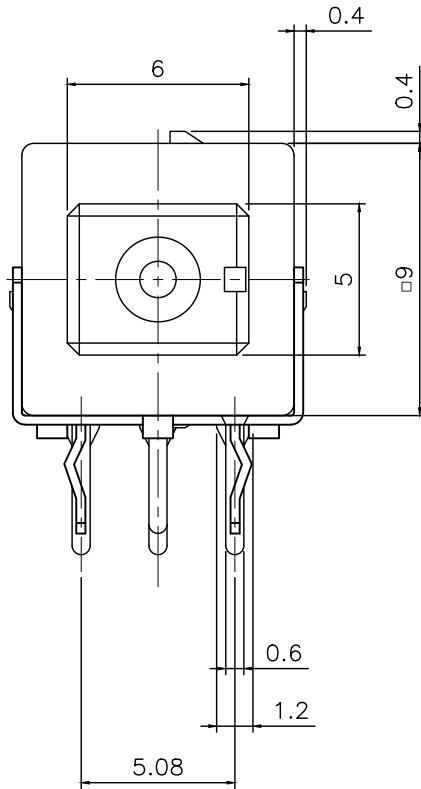
## **SUNGMUN ELECTRONICS CO., LTD.**

Address 301-302,Bucheon Technopark 345, Seokcheon-ro, Ojeong-gu  
Bucheon-si, Gyeonggi-do, Korea  
TEL. +82-32-328-1941~4  
FAX +82-32-328-1945  
E-mail sungmun@sungmun.co.kr  
Website www.sungmun.com

MRK.	DATE	REVISION	SIGN
△			



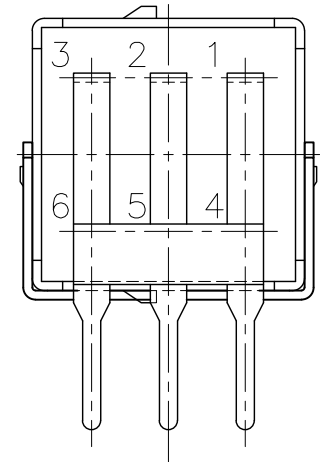
P.C.B DIMENSION



CIRCUIT

NORMAL	DOWN
ON	(ON)
2-3	1-2
5-6	4-5

( ):MOMENTARY



DRAW/DESIGNED	CHECKED	APPROVED		G.TOL ±0.05	TITLE	SP-22SH LAYOUT	
				UNIT mm	SCALE 4:1	MODEL	SP-22
2019-12-27				SIZE A4	DRAW NO.	SP-22SH	1/1
SUNGUN ELECTRONICS CO.,LTD							

### 1. Electrical Characteristics :

- 1-1 Rating: 0.4VA at 28V AC or DC Max.
- 1-2 Contact Resistance: Max 50 mΩ
- 1-3 Insulation Resistance: Min 500 MΩ at DC 500V
- 1-4 Withstanding Voltage: 1 minute at AC 500V
- 1-5 Life Cycle: 20,000 cycles
- 1-6 Operating Temperature: -25°C ~ +80°C

### 2. Mechanical Characteristics :

- 2-1 Operating Force: 250±100gf
- 2-2 Travel: 1.1mm
- 2-3 Insulator: Fiberglass reinforced polyamide.
- 2-4 Terminal: Brass, Gold plate.

### 3. High, Low Temperature Test :

- 3-1 Test Condition: 80°C±3°C for 48 hours  
-25°C±3°C for 48 hours
- 3-2 Insulation Resistance: Min 500 MΩ at DC 500V
- 3-3 Withstanding Voltage: 1 minute at AC 500V
- 3-4 Contact Resistance: Max 50 mΩ

### 4. Humidity Test :

- 4-1 Test Condition: Measured 3 hours after exposure to ambient after 96 hours exposure at  
40°C±2°C, 90-95% R.H
- 4-2 Insulation Resistance: Min 10 MΩ
- 4-3 Withstanding Voltage: 1 minute at AC 500V
- 4-4 Contact Resistance: Max 50 mΩ

### 5. Solder Condition :

- 5-1 Within 5 sec. at 270°C

## X-ON Electronics

Largest Supplier of Electrical and Electronic Components

*Click to view similar products for [Pushbutton Switches](#) category:*

*Click to view products by [Sungmun](#) manufacturer:*

Other Similar products are found below :

[8971K1133](#) [LW2L-M1C20M-A](#) [01-153.025](#) [M22-D-R-GB0/K11](#) [67021K512](#) [701PB580](#) [7199K101](#) [810K12910](#) [810KSV30B](#) [FLT 2U EE](#)  
[01A](#) [MML21EA2ADK](#) [MML21KA3ABK](#) [MML23KW3AA01W](#) [8418K2](#) [8442K3](#) [8450K1](#) [860K11911T01A](#) [861901](#) [861K11911T01A07](#)  
[861K13810T00A14](#) [861K13911](#) [8646AB6X718UL](#) [9533CD4+U574+U4922](#) [99-450.837](#) [99-453.837](#) [A2PMA1X03EC56](#) [A3A-7310](#) [A3A-](#)  
[7340](#) [12037A2ULCSA](#) [1203A2UL](#) [ABGW410-R](#) [1211390004](#) [ABN400-R](#) [121382](#) [1213C3](#) [HE3B-M2](#) [1211500044](#) [121194](#) [1212MRA](#)  
[1232A6NF](#) [121489](#) [1223A2ULCSA](#) [D5P-MT4](#) [13435AG](#) [13445AD29GX768](#) [AG23-L2](#) [AH165-2SGLG1TE3](#) [AH165-TGFY22](#) [AH165-](#)  
[TGL5Y11E3](#) [AH165-TGLR11AA3](#)