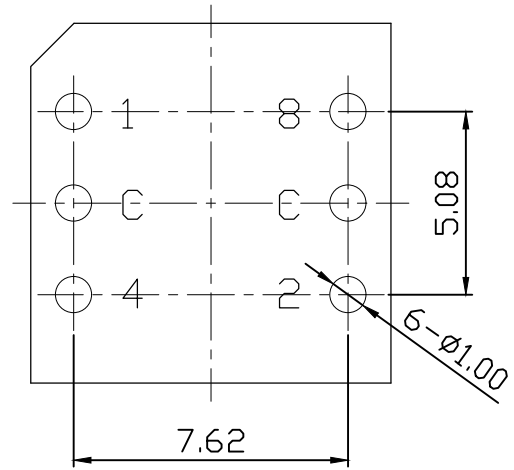
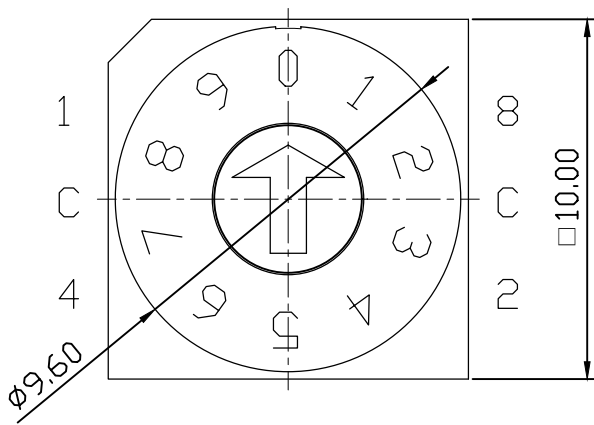


DATA SHEET

SUNGMUN CODE : TDR-10
DESCRIPTION : ROTARY DIP SWITCH

SUNGMUN ELECTRONICS CO., LTD.

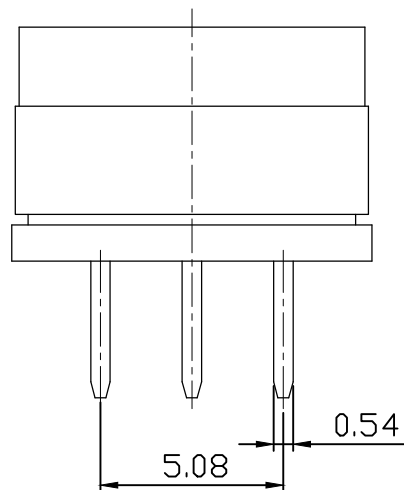
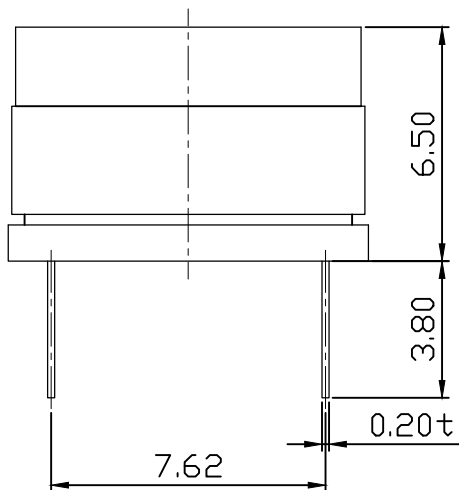
Address 301-302, Bucheon Technopark 345, Seokcheon-ro, Ojeong-gu
Bucheon-si, Gyeonggi-do, Korea
TEL. +82-32-328-1941~4
FAX +82-32-328-1945
E-mail sungmun@sungmun.co.kr
Website www.sungmun.com



SPECIF

1. R
2. C
3. In
4. O
5. Li

P.C.B DIMENSION(TOP VIEW)



| | | |
|---------|----------|---|
| APPD | CHKD | |
| J.P ROH | S.M PARK | Y |

1. Description:

This specification describes "10X10 size of Rotary Dip Switches" which are S, T, F and Q series.

1-1 Operating / Storage Temperature Range : -40°C ~ +85°C

2. Rating:

2-1 None-Switching : 200 mA, DC 42V

2-2 Switching : 150 mA, DC 42V

3. Type of Actuation : Rotating

4. Electrical Characteristics

| ITEM | DESCRIPTION | TEST CONDITIONS | REQUIREMENTS |
|------|---------------------------------|--|--|
| 4-1 | Visual Examination | By visual examination check without any out pressure & testing. | There shall be no defects that affect the serviceability of the product. |
| 4-2 | Contact Resistance | ① To be measured between the two terminals associated with each switch pole. ② Measurements shall be made with a 1kHz shall current contact resistance meter. | 80mΩ max. |
| 4-3 | Insulation Resistance | 250V DC, 1minute ±5seconds | 100 MΩ min. |
| 4-4 | Dielectric withstanding Voltage | 250V AC(50Hz or 60Hz)shall be applied between all the adjacent terminal and between the terminal and the frame for 1 minute. | There shall be no breakdown or flashover. |

5. Mechanical Characteristics

| ITEM | DESCRIPTION | TEST CONDITIONS | REQUIREMENTS |
|------|-----------------|--|---|
| 5-1 | Operation Force | Operating direction shall be clockwise or counter clockwise direction | 700gf·cm max |
| 5-2 | Operation Life | Measurements shall be made following the test set forth below: 1)150mA, 24V DC resistive load 2)Rate of operation: 15~20 cycles/ minute 3)Step of operation: 10,000 steps | 1)As shown in item 4-3, 4-4 2)Contact Resistance: 200mΩ max |

6. Environmental Characteristics

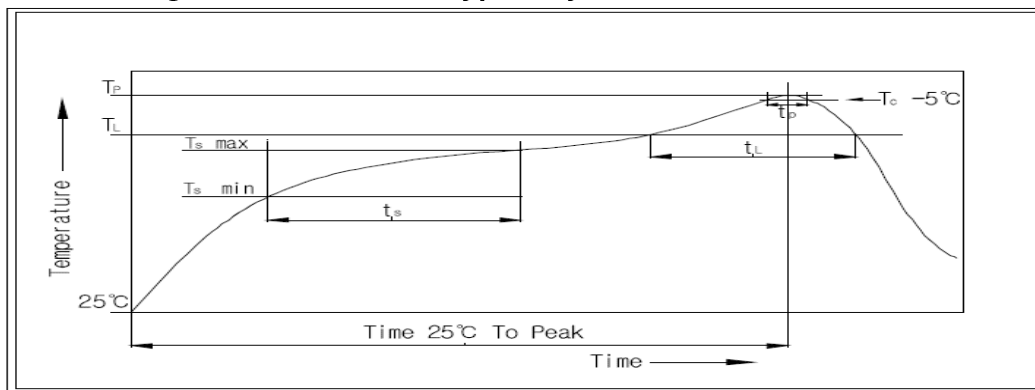
| ITEM | DESCRIPTION | TEST CONDITIONS | REQUIREMENTS |
|------|-----------------------------|--|--|
| 6-1 | Resistance Low Temperature | Following the test set forth below the sample shall be left in normal temperature and humidity conditions for an hour before measurements are made: 1)Temperature: -40°C ±3°C 2)Time: 96 hours | 1)As shown in item 4-3, 4-4, 5-1 2)Contact Resistance: 200mΩ max |
| 6-2 | Resistance High Temperature | Following the test set forth below the sample shall be left in normal temperature and humidity conditions for an hour before measurements are made: 1)Temperature: 85°C ±2°C 2)Time: 96 hours | 1)As shown in item 4-3, 4-4, 5-1 2)Contact Resistance: 200mΩ max |
| 6-3 | Resistance Humidity | Following the test set forth below the sample shall be left in normal temperature and humidity conditions for an hour before measurements are made: 1)Temperature: 40°C ±2°C 2)Relative humidity: 90~95% 3)Time: 96 hours | 1)As shown in item 4-4, 5-1 2)Contact Resistance: 200mΩ max 3)Insulation Resistance: 10 MΩ min |

7. This item is "RoHS" Compliant

8. Manual Soldering : Max 350°C, 3 sec.

9. Wave Soldering : Max 280°C, 5 sec.

10. Reflow Soldering Conditions: (SMD type only)



10-1 Condition for Soldering

| Profile Feature | Pb-Free Assembly |
|---|------------------|
| Average Ramp-UP Rate(T_s max to T_P) | 3°C/second max |
| Preheat | |
| - Temperature Min(T_s min) | 150°C |
| - Temperature Max(T_s max) | 200°C |
| - Time (t_s min to t_s max) | 60-180seconds |
| Time maintained above: | |
| - Temperature (T_L) | 217°C |
| - Time (t_L) | 60-150seconds |
| Peak/Classification Temperature(T_P) | 260°C +0°C/ -5°C |
| Time within 5°C of actual Peak Temperature(T_P) | 5~10 seconds |
| Ramp-Down Rate | 6°C/sec max |
| Time 25°C to Peak Temperature | 8 minutes max |

X-ON Electronics

Largest Supplier of Electrical and Electronic Components

Click to view similar products for [Sungmun](#) manufacturer:

Other Similar products are found below :

[BSI-10](#) [BSI-10H](#) [BSIL-10](#) [BSIL-10H](#) [FDR-10](#) [FDR-10H](#) [FDR-16H](#) [FDR-16S](#) [FER-10](#) [FER-10H](#) [FER-16](#) [FER-16H](#) [FSR-16H1](#) [GSDR-10S](#)
[GSER-10S](#) [GSPR-16MS](#) [HADR-10](#) [KHS-82C](#) [KSP-06H](#) [MADR-10S](#) [MADR-16](#) [MADR-16S](#) [MSDR-10](#) [MSDR-10H1](#) [MSDR-16S](#)
[MSKR-10](#) [MSSM-04](#) [MSSR-16S-TR](#) [NSI-10HS](#) [NSI-10S](#) [NSI-20](#) [NSI-20H](#) [NSI-20HS](#) [NSI-20S](#) [SER-16-1](#) [SK-100R](#) [SP-12FH-S](#) [SP-12SB](#)
[SP-12SH](#) [SP-12SH-S](#) [SP-12SV](#) [SP-22SH](#) [STP-1117](#) [STP-1125B](#) [STP-1126](#) [STP-1152](#) [STP-1194G](#) [STP-1194R](#) [STP-1230A](#) [STP-1230D](#)