

Shielded SMD Coupled Inductor – ACPR1208S Series



Operating Temp.: -50°C~+150°C

FEATURES

- High efficiency, high coupling
- High rated current, low DC resistance
- RoHS compatible
- AEC-Q200 verified

APPLICATIONS

- SEPIC, Zeta, Flyback topology, etc.
- LED , power supplies
- Used as common mode choke
- Used as transformer

PRODUCT IDENTIFICATION

A **CP** **R** **1208** **S** **XXX** **M** **T**
 ① ② ③ ④ ⑤ ⑥ ⑦ ⑧

| | |
|---|------------|
| ① | Type |
| A | Automotive |

| | |
|----|----------------------------|
| ② | Type |
| CP | for Coupled Power Inductor |

| | |
|---|----------------|
| ③ | Structure Code |
| R | R Structure |

| | |
|------|--------------------------------|
| ④ | External Dimensions (LxW) [mm] |
| 1208 | 12.0x8.0 |

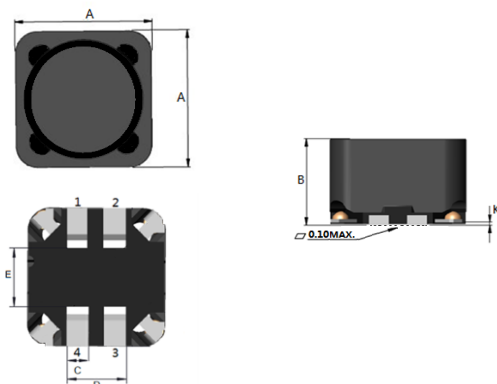
| | |
|---|--------------|
| ⑤ | Feature Type |
| S | S type |

| | |
|---------|------------------------------|
| ⑥ | Nominal Inductance |
| Example | Nominal Value |
| XXX | 1R0=1.0uH,100=10uH,101=100uH |

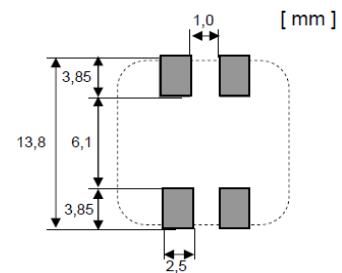
| | |
|---|----------------------|
| ⑦ | Inductance Tolerance |
| M | ±20% |

| | |
|---|-------------|
| ⑧ | Packing |
| T | Tape & Reel |

SHAPE AND DIMENSIONS



Recommended Land Pattern



Unit: mm

| A | B | C | D | E | K |
|----------|---------|---------|---------|---------|----------|
| 12.5Max. | 8.0Max. | 1.5±0.2 | 5.0±0.2 | 5.0±0.2 | 0.25Min. |

SPECIFICATIONS

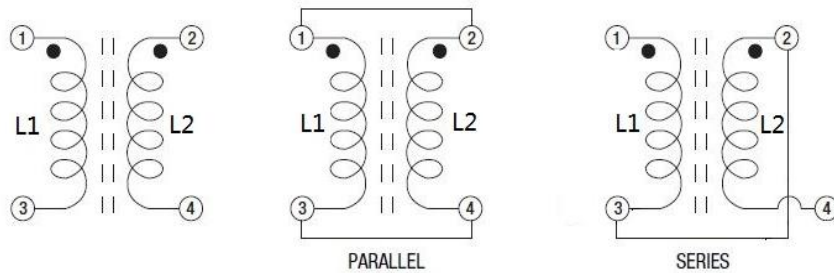
ACPR1208S Series

| Part Number | Inductance | DC Resistance | Saturation Current | Heat Rating Current | HI-POT |
|----------------|-------------------|-------------------|--------------------|---------------------|--------------------|
| | @0.1MHz, 0.1V | Max. | Typ. | Typ. | DC 500V/1Sec |
| | (P1-P3)or (P2-P4) | (P1-P3)or (P2-P4) | (P1-P3)or (P2-P4) | (P1-P3)or (P2-P4) | (P1-P3) to (P2-P4) |
| Units | μH | mΩ | A | A | / |
| Symbol | L | DCR | Isat | Irms | / |
| ACPR1208S4R7MT | 4.7±20% | 25 | 12.9 | 5.0 | Pass |
| ACPR1208S6R8MT | 6.8±20% | 29 | 11.4 | 4.5 | Pass |
| ACPR1208S100MT | 10±20% | 36 | 9.8 | 4.1 | Pass |
| ACPR1208S150MT | 15±20% | 40 | 7.0 | 3.6 | Pass |
| ACPR1208S220MT | 22±20% | 72 | 6.7 | 3.0 | Pass |
| ACPR1208S270MT | 27±20% | 96 | 5.7 | 2.7 | Pass |
| ACPR1208S330MT | 33±20% | 105 | 5.2 | 2.5 | Pass |
| ACPR1208S470MT | 47±20% | 132 | 4.3 | 2.2 | Pass |
| ACPR1208S680MT | 68±20% | 206 | 3.6 | 1.8 | Pass |
| ACPR1208S101MT | 100±20% | 280 | 3.0 | 1.5 | Pass |

Note: ※ 1: Saturation Current: Max. Value, DC current at which the inductance drops less than 30% from its value without current; Typ. Value, DC current at which the inductance drops approximate 30% from its value without current.
 ※ 2: Heat Rating Current: DC current that causes the temperature rise (ΔT) from 20°C ambient; For Max. Value, temperature rise (ΔT) is 20°C. For Typ. Value, temperature rise (ΔT) is approximate 40°C.

The part temperature (ambient + temp. rise) should not exceed 150 °C under worst case operating conditions. Circuit design, component placement, PCB trace size and thickness, airflow and other cooling provisions all affect the part temperature. Part temperature should be verified in the end application.

EQUIVALENT CIRCUIT



X-ON Electronics

Largest Supplier of Electrical and Electronic Components

Click to view similar products for [Fixed Inductors](#) category:

Click to view products by [Sunlord](#) manufacturer:

Other Similar products are found below :

[CR32NP-151KC](#) [CR32NP-180KC](#) [CR32NP-181KC](#) [CR32NP-1R5MC](#) [CR32NP-390KC](#) [CR32NP-3R9MC](#) [CR32NP-680KC](#) [CR32NP-820KC](#) [CR32NP-8R2MC](#) [CR43NP-390KC](#) [CR43NP-560KC](#) [CR43NP-680KC](#) [CR54NP-181KC](#) [CR54NP-470LC](#) [CR54NP-820KC](#) [CR54NP-8R5MC](#) [70F224AI](#) [MGDQ4-00004-P](#) [MHL1ECTTP18NJ](#) [MHQ1005P10NJ](#) [MHQ1005P1N0S](#) [MHQ1005P2N4S](#) [MHQ1005P3N6S](#) [MHQ1005P5N1S](#) [MHQ1005P8N2J](#) [PE-51506NL](#) [PE-53601NL](#) [PE-53602NL](#) [PE-53630NL](#) [PE-53824SNLT](#) [PE-92100NL](#) [PG0434.801NLT](#) [PG0936.113NLT](#) [9220-20](#) [9310-16](#) [PM06-2N7](#) [PM06-39NJ](#) [A01TK](#) [1206CS-471XJ](#) [HC2LP-R47-R](#) [HC2-R47-R](#) [HC3-2R2-R](#) [HCF1305-3R3-R](#) [1206CS-151XG](#) [RCH664NP-140L](#) [RCH664NP-4R7M](#) [RCH8011NP-221L](#) [RCP1317NP-332L](#) [RCP1317NP-391L](#) [RCR1010NP-470M](#)