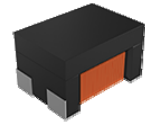


Wire Wound Chip Common Mode Choke Coil –AMCW-L Series

Operating Temp. : -40°C~+125°C



FEATURES

- Winding type, small size and low profile
- Manufactured with fully-automated processes for high reliability and consistent quality
- Excellent solderability
- AEC-Q200 verified

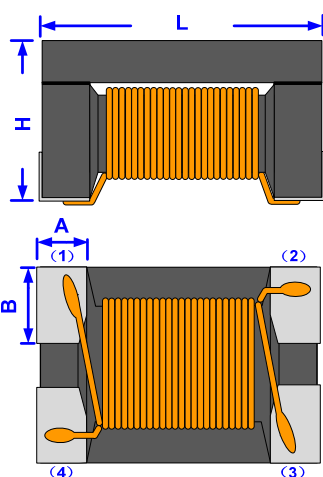
APPLICATIONS

- Multimedia system, Ethernet, A²B

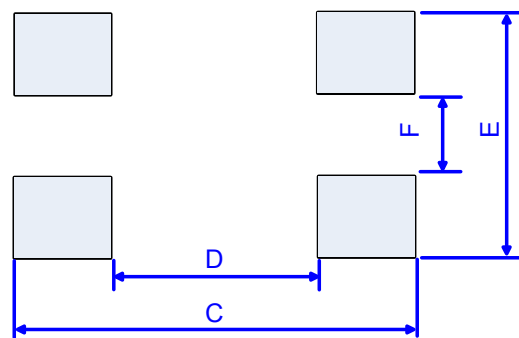
PRODUCT IDENTIFICATION

① <u>AMCW</u>	② <u>4532</u>	③ <u>L</u>	④ <u>-2</u>	⑤ <u>-201</u>	⑥ <u>T</u>																													
①	②	③	④	⑤	⑥																													
<table border="1" style="width: 100%;"> <tr><th colspan="2">Type</th></tr> <tr><td style="width: 30%;">AMCW</td><td>Winding Type Common Mode Choke Coil</td></tr> </table>	Type		AMCW	Winding Type Common Mode Choke Coil	<table border="1" style="width: 100%;"> <tr><th colspan="2">External Dimensions (L×W) (mm)</th></tr> <tr><td>4532 [1812]</td><td>4.5×3.2</td></tr> <tr><td>3225 [1210]</td><td>3.2×2.5</td></tr> </table>	External Dimensions (L×W) (mm)		4532 [1812]	4.5×3.2	3225 [1210]	3.2×2.5	<table border="1" style="width: 100%;"> <tr><th colspan="2">Code</th></tr> <tr><td style="width: 30%;">L</td><td>Ethernet</td></tr> </table>	Code		L	Ethernet	<table border="1" style="width: 100%;"> <tr><th colspan="2">Nominal Inductance</th></tr> <tr><th>Example</th><th>Nominal Value</th></tr> <tr><td>201</td><td>200μH</td></tr> <tr><td>101</td><td>100μH</td></tr> </table>	Nominal Inductance		Example	Nominal Value	201	200μH	101	100μH	<table border="1" style="width: 100%;"> <tr><th colspan="2">Packing</th></tr> <tr><td style="width: 30%;">T</td><td>Tape & Reel</td></tr> </table>	Packing		T	Tape & Reel	<table border="1" style="width: 100%;"> <tr><th colspan="2">Number of Lines</th></tr> <tr><td style="width: 30%;">2</td></tr> </table>	Number of Lines		2
Type																																		
AMCW	Winding Type Common Mode Choke Coil																																	
External Dimensions (L×W) (mm)																																		
4532 [1812]	4.5×3.2																																	
3225 [1210]	3.2×2.5																																	
Code																																		
L	Ethernet																																	
Nominal Inductance																																		
Example	Nominal Value																																	
201	200μH																																	
101	100μH																																	
Packing																																		
T	Tape & Reel																																	
Number of Lines																																		
2																																		

SHAPE AND DIMENSIONS



Recommended Land Pattern



Unit: mm

Series	L	H	W	A	B	C	D	E	F
AMCW4532L	4.50±0.20	2.30±0.20	3.20±0.20	1.00	1.25	5.50	2.90	3.20	0.70
AMCW3225L	3.20±0.20	2.20±0.20	2.50±0.20	0.70	1.05	4.10	2.00	2.50	0.40

SPECIFICATIONS

AMCW4532L TYPE

Part Number	Inductance @100KHz/0.1V	DC Resistance	Rated Current	Rated Voltage	Insulation Resistance
		Max.	Max.	Max.	Min.
Units	μH	Ω	mA	Volts	MΩ
Symbol	L	DCR	I _{rms}	V _{DC}	IR
AMCW4532L-2-201T	200(+50%/-25%)	4.5	110	50	10

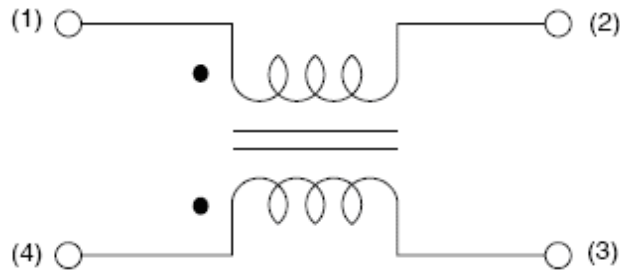
AMCW3225L TYPE

Part Number	Inductance @100KHz/0.1V	DC Resistance	Rated Current	Rated Voltage	Insulation Resistance
		Max.	Max.	Max.	Min.
Units	μH	Ω	mA	Volts	MΩ
Symbol	L	DCR	I _{rms}	V _{DC}	IR
AMCW3225L-2-101T	100(+50%/-30%)	1.5	150	80	10
AMCW3225L-2-201T	200(+50%/-20%)	4.0	70	80	10

1 .Storage temperature range (packaging conditions): -10°C~+40°C and RH 70% (Max.)

※: Products with other electrical characteristics can be provided upon customer's request. Please contact your local sales.

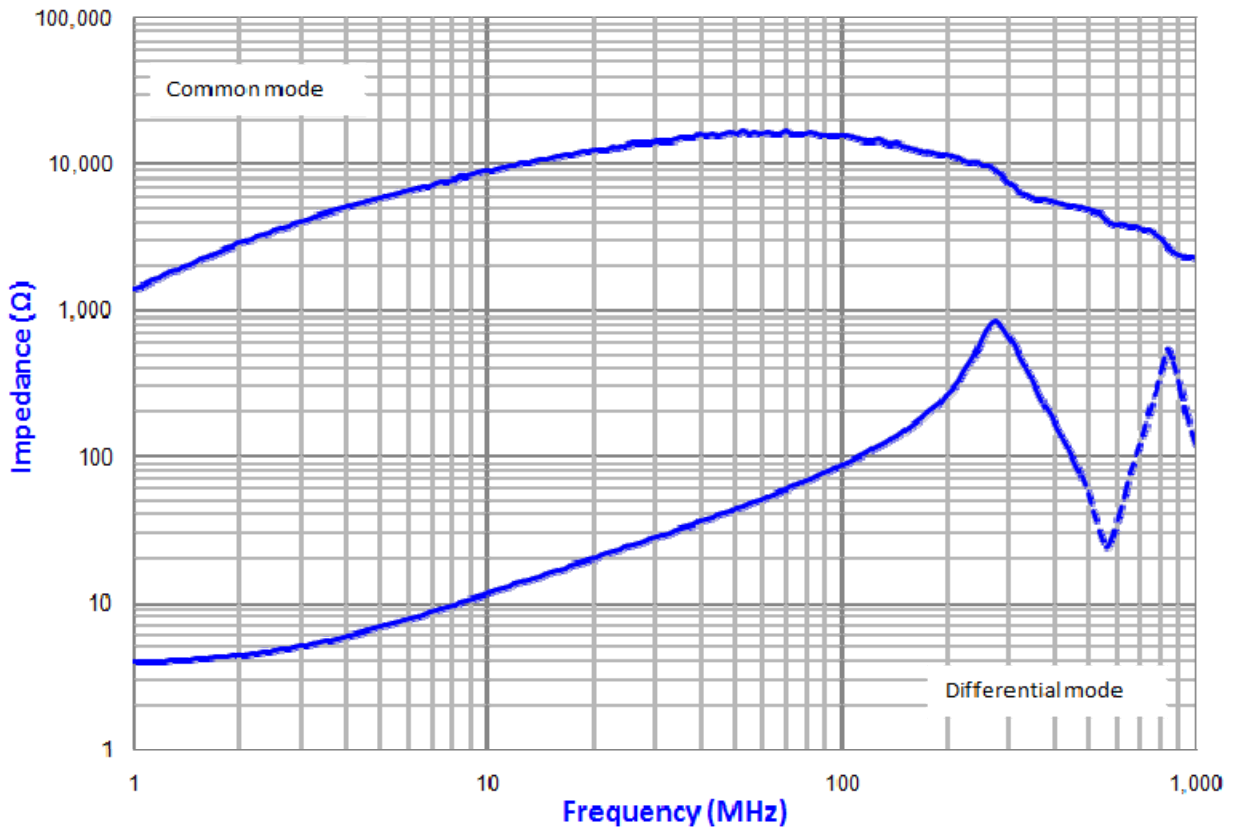
EQUIVALENT CIRCUIT



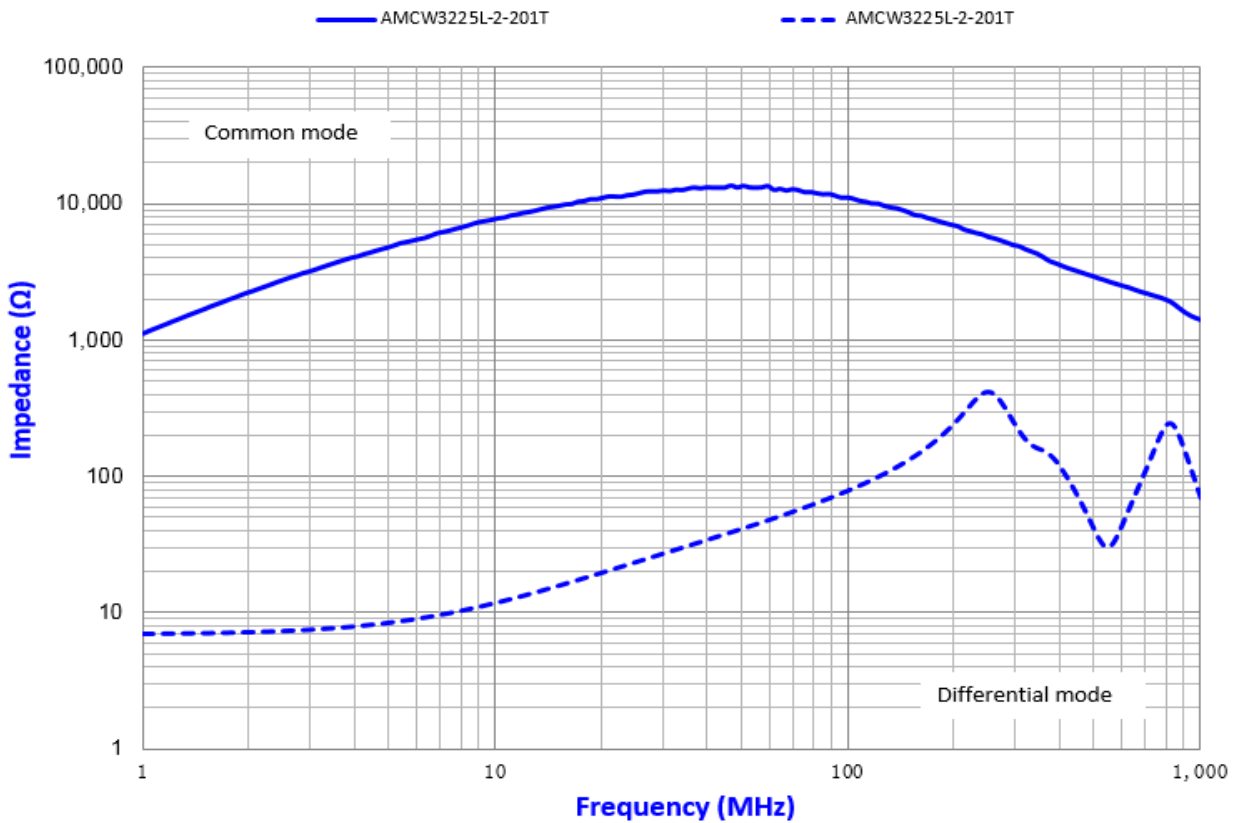
TYPICAL ELECTRICAL CHARACTERISTICS

Impedance vs. Frequency

AMCW4532L TYPE

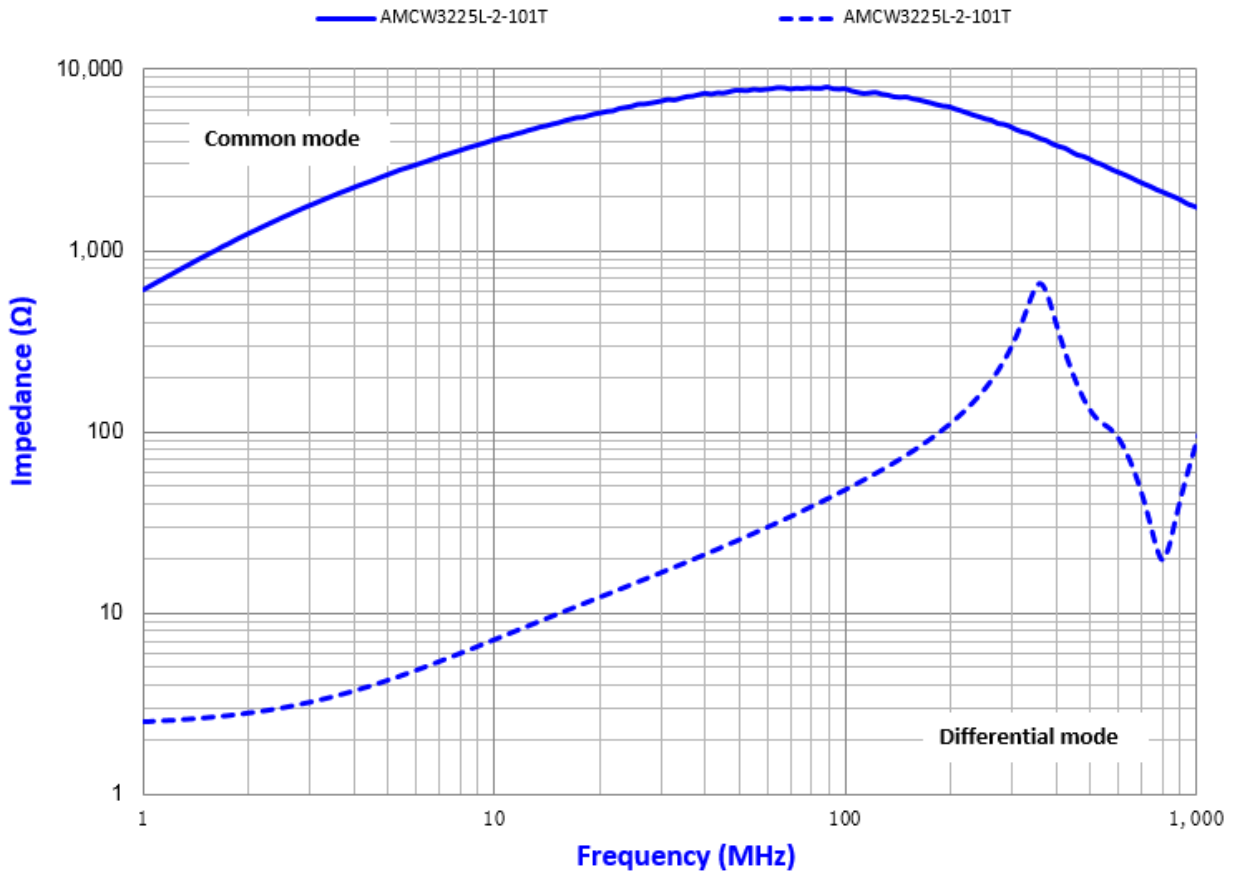


AMCW3225L TYPE



TYPICAL ELECTRICAL CHARACTERISTICS

Impedance vs. Frequency



X-ON Electronics

Largest Supplier of Electrical and Electronic Components

Click to view similar products for [Common Mode Chokes / Filters](#) category:

Click to view products by [Sunlord](#) manufacturer:

Other Similar products are found below :

[74279408](#) [PE-62911NL](#) [PE-64683](#) [RD5122-6-9M6](#) [RGCMF1210900H3T](#) [ST6118T-R](#) [FE3X025-10-7NL](#) [T8114NLT](#) [RD5122-10-6M0](#)
[TCM0806G-350-2P-T](#) [TCM0806G-650-2P-T](#) [IND-0110](#) [UAL21VR0802000](#) [UALSC023000000](#) [UALSC1020JH000](#) [UALSC1520JH000](#)
[UALSU10VR15019](#) [UALSU9VD070100](#) [36-00037](#) [5701610000](#) [UALW21HS200290](#) [UALW21HS072450](#) [UALSU9HF050500](#)
[UALSU9H0208000](#) [UAL24VK06450CH](#) [PLT10HH501100PNB](#) [PLT10HH401100PNB](#) [PLT10HH1026R0PNB](#) [PE-67531](#) [TLH10UB 113](#)
[OR5](#) [2752045447](#) [CMS3-11-R](#) [7351V](#) [7408-RC](#) [CMF16-153131](#) [744252510](#) [T8116NLT](#) [CMS2-10-R](#) [DLW44SN101SK2L](#) [FE2X10-4-2NL](#)
[744253200](#) [744253101](#) [744252220](#) [TX8111NLT](#) [UAL30VR3500470](#) [CTX01-19077-R](#) [T8003NLT](#) [CTX01-13663](#) [CTX66-19521-R](#)
[7446630047](#)