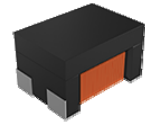


# Wire Wound Chip Common Mode Choke Coil –AMCW-L Series

Operating Temp. : -40°C~+125°C



## FEATURES

- Winding type, small size and low profile
- Manufactured with fully-automated processes for high reliability and consistent quality
- Excellent solderability
- AEC-Q200 verified

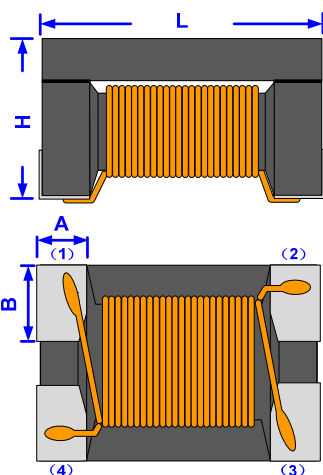
## APPLICATIONS

- Multimedia system, Ethernet, A<sup>2</sup>B

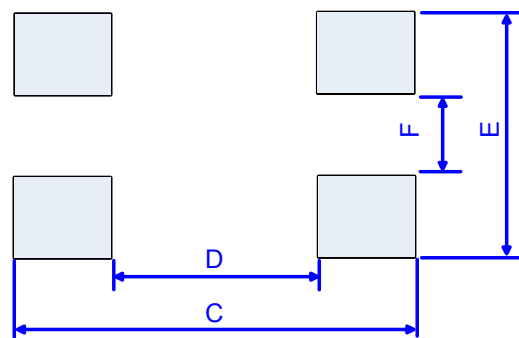
## PRODUCT IDENTIFICATION

| ①  | ②   | ③ | ④    | ⑤   | ⑥  |                                |  |             |         |             |         |  |      |  |   |          |   |                 |  |   |  |   |                    |  |         |               |     |       |     |       |  |         |  |   |             |
|--|---|---|------|---|--|--------------------------------|--|-------------|---------|-------------|---------|--|------|--|---|----------|---|-----------------|--|---|--|---|--------------------|--|---------|---------------|-----|-------|-----|-------|--|---------|--|---|-------------|
| <table border="1"> <tr><td colspan="2">Type</td></tr> <tr> <td>AMCW</td> <td>Winding Type<br/>Common Mode Choke<br/>Coil</td> </tr> </table> | Type                                      |   | AMCW | Winding Type<br>Common Mode Choke<br>Coil | <table border="1"> <tr><td colspan="2">External Dimensions (L×W) (mm)</td></tr> <tr> <td>4532 [1812]</td> <td>4.5×3.2</td> </tr> <tr> <td>3225 [1210]</td> <td>3.2×2.5</td> </tr> </table> | External Dimensions (L×W) (mm) |  | 4532 [1812] | 4.5×3.2 | 3225 [1210] | 3.2×2.5 | <table border="1"> <tr><td colspan="2">Code</td></tr> <tr> <td>L</td> <td>Ethernet</td> </tr> </table> | Code |  | L | Ethernet | <table border="1"> <tr><td colspan="2">Number of Lines</td></tr> <tr> <td colspan="2">2</td> </tr> </table> | Number of Lines |  | 2 |  | <table border="1"> <tr><td colspan="2">Nominal Inductance</td></tr> <tr> <td>Example</td> <td>Nominal Value</td> </tr> <tr> <td>201</td> <td>200μH</td> </tr> <tr> <td>101</td> <td>100μH</td> </tr> </table> | Nominal Inductance |  | Example | Nominal Value | 201 | 200μH | 101 | 100μH | <table border="1"> <tr><td colspan="2">Packing</td></tr> <tr> <td>T</td> <td>Tape &amp; Reel</td> </tr> </table> | Packing |  | T | Tape & Reel |
| Type   |   |   |      |   |  |                                |  |             |         |             |         |  |      |  |   |          |   |                 |  |   |  |   |                    |  |         |               |     |       |     |       |  |         |  |   |             |
| AMCW   | Winding Type<br>Common Mode Choke<br>Coil |   |      |   |  |                                |  |             |         |             |         |  |      |  |   |          |   |                 |  |   |  |   |                    |  |         |               |     |       |     |       |  |         |  |   |             |
| External Dimensions (L×W) (mm)   |   |   |      |   |  |                                |  |             |         |             |         |  |      |  |   |          |   |                 |  |   |  |   |                    |  |         |               |     |       |     |       |  |         |  |   |             |
| 4532 [1812]  | 4.5×3.2                                   |   |      |   |  |                                |  |             |         |             |         |  |      |  |   |          |   |                 |  |   |  |   |                    |  |         |               |     |       |     |       |  |         |  |   |             |
| 3225 [1210]  | 3.2×2.5                                   |   |      |   |  |                                |  |             |         |             |         |  |      |  |   |          |   |                 |  |   |  |   |                    |  |         |               |     |       |     |       |  |         |  |   |             |
| Code   |   |   |      |   |  |                                |  |             |         |             |         |  |      |  |   |          |   |                 |  |   |  |   |                    |  |         |               |     |       |     |       |  |         |  |   |             |
| L  | Ethernet                                  |   |      |   |  |                                |  |             |         |             |         |  |      |  |   |          |   |                 |  |   |  |   |                    |  |         |               |     |       |     |       |  |         |  |   |             |
| Number of Lines  |   |   |      |   |  |                                |  |             |         |             |         |  |      |  |   |          |   |                 |  |   |  |   |                    |  |         |               |     |       |     |       |  |         |  |   |             |
| 2  |   |   |      |   |  |                                |  |             |         |             |         |  |      |  |   |          |   |                 |  |   |  |   |                    |  |         |               |     |       |     |       |  |         |  |   |             |
| Nominal Inductance   |   |   |      |   |  |                                |  |             |         |             |         |  |      |  |   |          |   |                 |  |   |  |   |                    |  |         |               |     |       |     |       |  |         |  |   |             |
| Example  | Nominal Value                             |   |      |   |  |                                |  |             |         |             |         |  |      |  |   |          |   |                 |  |   |  |   |                    |  |         |               |     |       |     |       |  |         |  |   |             |
| 201  | 200μH                                     |   |      |   |  |                                |  |             |         |             |         |  |      |  |   |          |   |                 |  |   |  |   |                    |  |         |               |     |       |     |       |  |         |  |   |             |
| 101  | 100μH                                     |   |      |   |  |                                |  |             |         |             |         |  |      |  |   |          |   |                 |  |   |  |   |                    |  |         |               |     |       |     |       |  |         |  |   |             |
| Packing  |   |   |      |   |  |                                |  |             |         |             |         |  |      |  |   |          |   |                 |  |   |  |   |                    |  |         |               |     |       |     |       |  |         |  |   |             |
| T  | Tape & Reel                               |   |      |   |  |                                |  |             |         |             |         |  |      |  |   |          |   |                 |  |   |  |   |                    |  |         |               |     |       |     |       |  |         |  |   |             |

## SHAPE AND DIMENSIONS



### Recommended Land Pattern



Unit: mm

| Series    | L         | H         | W         | A    | B    | C    | D    | E    | F    |
|-----------|-----------|-----------|-----------|------|------|------|------|------|------|
| AMCW4532L | 4.50±0.20 | 2.30±0.20 | 3.20±0.20 | 1.00 | 1.25 | 5.50 | 2.90 | 3.20 | 0.70 |
| AMCW3225L | 3.20±0.20 | 2.20±0.20 | 2.50±0.20 | 0.70 | 1.05 | 4.10 | 2.00 | 2.50 | 0.40 |

## SPECIFICATIONS

### AMCW4532L TYPE

| Part Number      | Inductance<br>@100KHz/0.1V | DC<br>Resistance | Rated Current    | Rated<br>Voltage | Insulation<br>Resistance |
|------------------|----------------------------|------------------|------------------|------------------|--------------------------|
|                  |                            | Max.             | Max.             | Max.             | Min.                     |
| Units            | μH                         | Ω                | mA               | Volts            | MΩ                       |
| Symbol           | L                          | DCR              | I <sub>rms</sub> | V <sub>DC</sub>  | IR                       |
| AMCW4532L-2-201T | 200(+50%/-25%)             | 4.5              | 110              | 50               | 10                       |

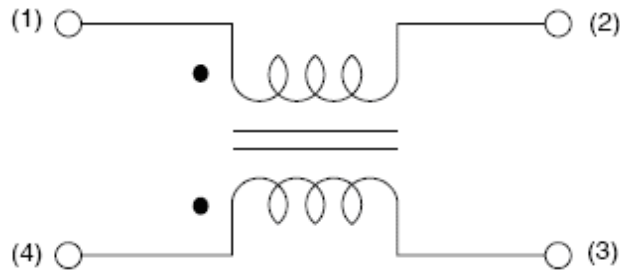
### AMCW3225L TYPE

| Part Number      | Inductance<br>@100KHz/0.1V | DC<br>Resistance | Rated Current    | Rated<br>Voltage | Insulation<br>Resistance |
|------------------|----------------------------|------------------|------------------|------------------|--------------------------|
|                  |                            | Max.             | Max.             | Max.             | Min.                     |
| Units            | μH                         | Ω                | mA               | Volts            | MΩ                       |
| Symbol           | L                          | DCR              | I <sub>rms</sub> | V <sub>DC</sub>  | IR                       |
| AMCW3225L-2-101T | 100(+50%/-30%)             | 1.5              | 150              | 80               | 10                       |
| AMCW3225L-2-201T | 200(+50%/-20%)             | 4.0              | 70               | 80               | 10                       |

1 .Storage temperature range (packaging conditions): -10°C~+40°C and RH 70% (Max.)

※: Products with other electrical characteristics can be provided upon customer's request. Please contact your local sales.

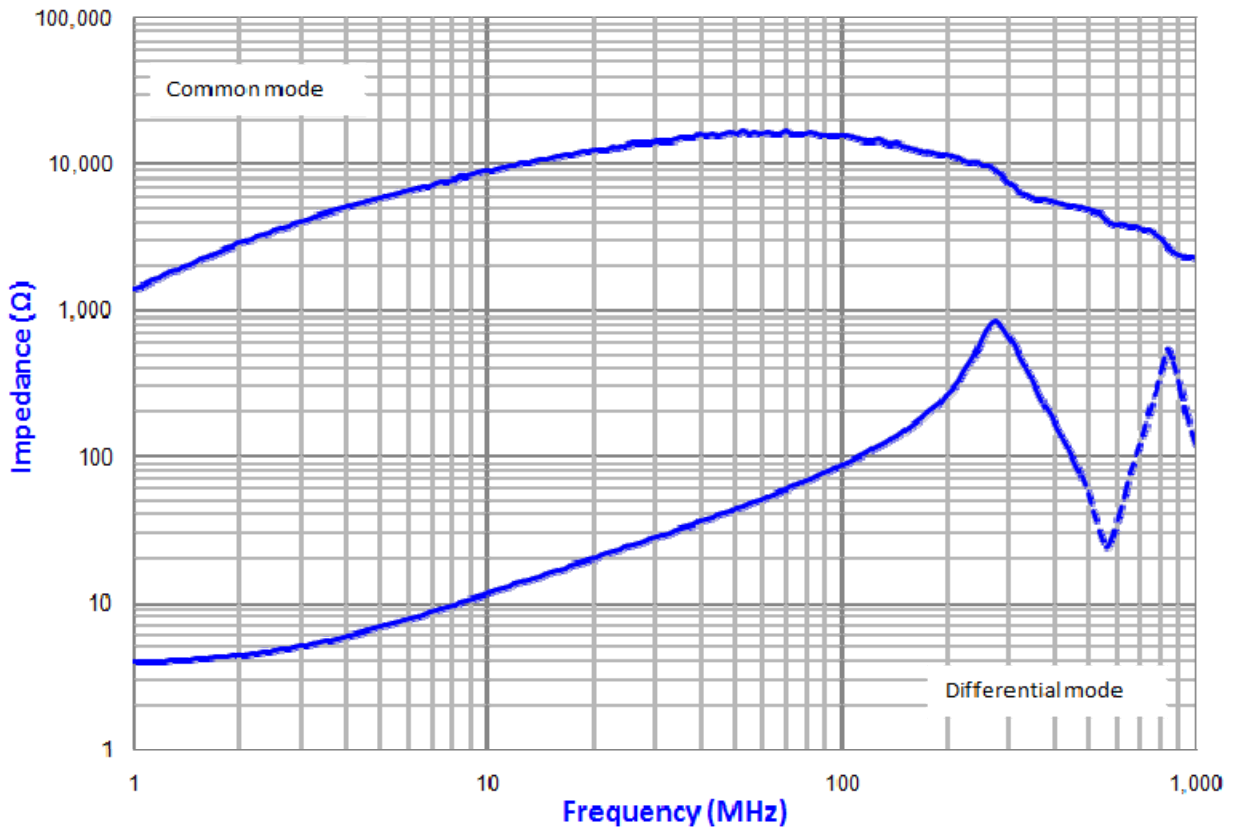
## EQUIVALENT CIRCUIT



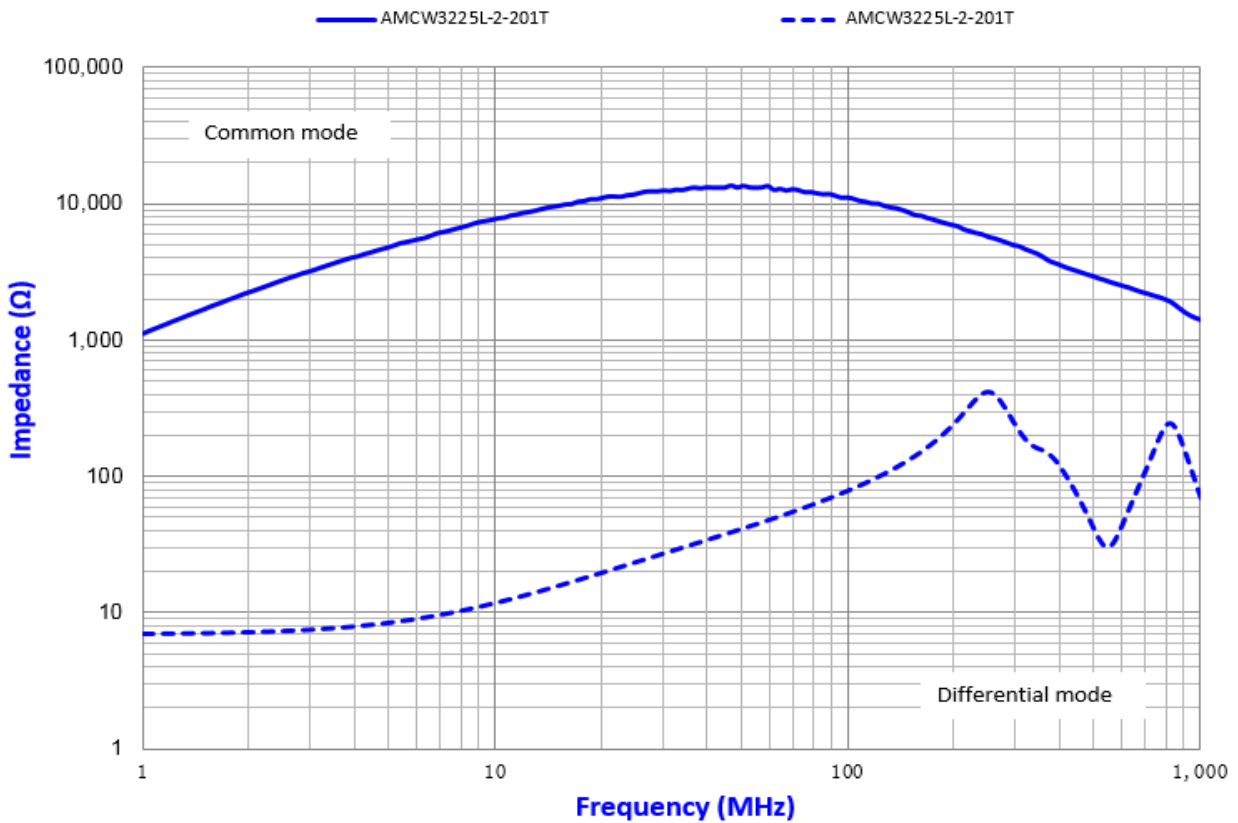
# TYPICAL ELECTRICAL CHARACTERISTICS

## Impedance vs. Frequency

AMCW4532L TYPE

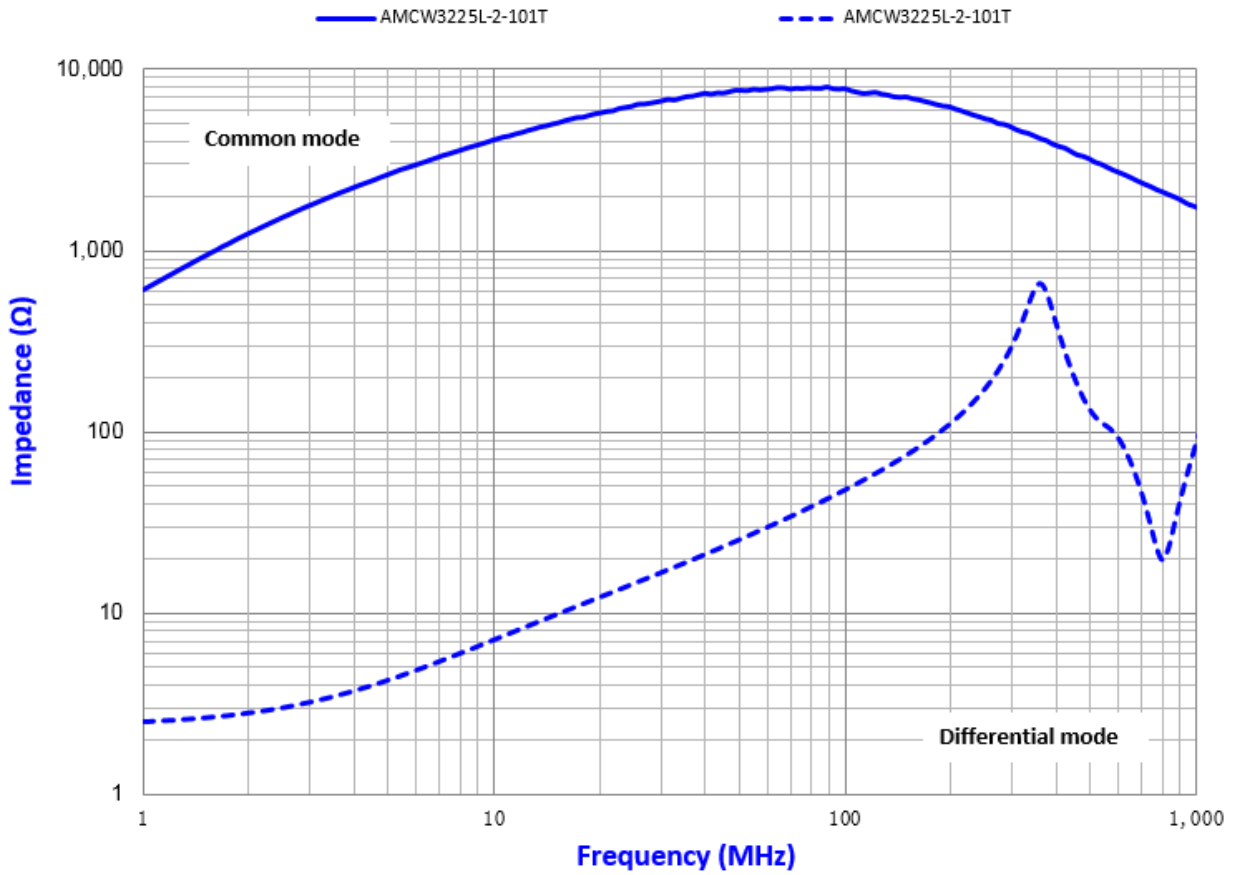


AMCW3225L TYPE



# TYPICAL ELECTRICAL CHARACTERISTICS

## Impedance vs. Frequency



## X-ON Electronics

Largest Supplier of Electrical and Electronic Components

*Click to view similar products for [Common Mode Chokes / Filters](#) category:*

*Click to view products by [Sunlord](#) manufacturer:*

Other Similar products are found below :

[74279408](#) [PE-62911NL](#) [PE-64683](#) [RD5122-6-9M6](#) [RGCMF1210900H3T](#) [ST6118T-R](#) [FE3X025-10-7NL](#) [T8114NLT](#) [RD5122-10-6M0](#)  
[TCM0806G-350-2P-T](#) [TCM0806G-650-2P-T](#) [IND-0110](#) [UAL21VR0802000](#) [UALSC023000000](#) [UALSC1020JH000](#) [UALSC1520JH000](#)  
[UALSU10VR15019](#) [UALSU9VD070100](#) [36-00037](#) [5701610000](#) [UALW21HS200290](#) [UALW21HS072450](#) [UALSU9HF050500](#)  
[UALSU9H0208000](#) [UAL24VK06450CH](#) [PLT10HH501100PNB](#) [PLT10HH401100PNB](#) [PLT10HH1026R0PNB](#) [PE-67531](#) [TLH10UB 113](#)  
[OR5](#) [2752045447](#) [CMS3-11-R](#) [7351V](#) [7408-RC](#) [CMF16-153131](#) [744252510](#) [T8116NLT](#) [CMS2-10-R](#) [DLW44SN101SK2L](#) [FE2X10-4-2NL](#)  
[744253200](#) [744253101](#) [744252220](#) [TX8111NLT](#) [UAL30VR3500470](#) [CTX01-19077-R](#) [T8003NLT](#) [CTX01-13663](#) [CTX66-19521-R](#)  
[7446630047](#)