

Chip 3-Terminal EMI Filter – MFL Series

Operating Temp. : -40°C~+85°C



FEATURES

- Multilayer structure and low profile enables high density mounting
- Crosstalk is prevented due to closed magnetic circuit
- Steep attenuation characteristics achieves effective noise suppression

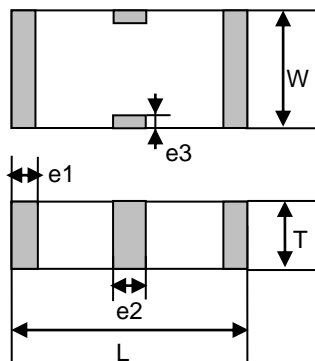
APPLICATIONS

- Noise suppression in visual signal such as DVD, DSC, LCD, PDP, etc
- Suppression of high magnitude radiated noise generated by high speed digital circuits such as clock line

PRODUCT IDENTIFICATION

<u>MF</u> ①	<u>L</u> ②	<u>2012</u> ③	<u>SP</u> ④	<u>401</u> ⑤	<u>M</u> ⑥	<u>1C</u> ⑦	<u>T</u> ⑧	<u>F</u> ⑨
① Type MF Chip EMI Filter		② Structure Code L			③ External Dimensions (LxW) (mm) 2012 [0805] 2.0x1.2			
④ Feature SP PI Type Circuit		⑤ Cut-off Frequency Example Nominal Value 401 400MHz		⑥ Tolerance of Cut-off Frequency M ±20%				
⑦ Rated Voltage 1C 16V		⑧ Packing T Tape Carrier Package		⑨ Hazardous Substance Free Products F				

SHAPE AND DIMENSIONS



Unit: mm [inch]

Type	L	W	T	e1	e2	e3
MFL2012 [0805]	2.0±0.2 [.079±.008]	1.2±0.2 [.047±.008]	0.95±0.2 [.037±.008]	0.3±0.15 [.012±.006]	0.5±0.15 [.020±.006]	0.3±0.15 [.012±.006]

SPECIFICATIONS

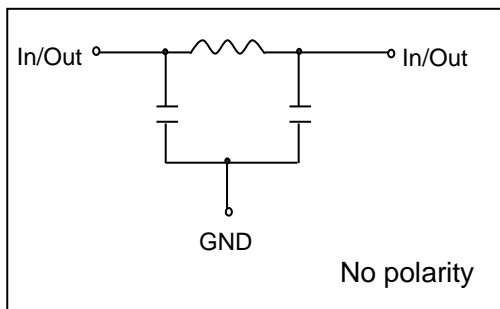
MFL2012 TYPE

Part Number	Cut-off Frequency	Rated Voltage	Rated Current	Min. Insulation Resistance	Max. DC Resistance	Attenuation
Units	MHz	Volt	mA	MΩ	Ω	dB
Symbol	f_0	V_{DC}	I_r	IR	DCR	-
MFL2012SP401M1CTF	400	16	300	200	0.8	20dB Min. at 800-2000MHz

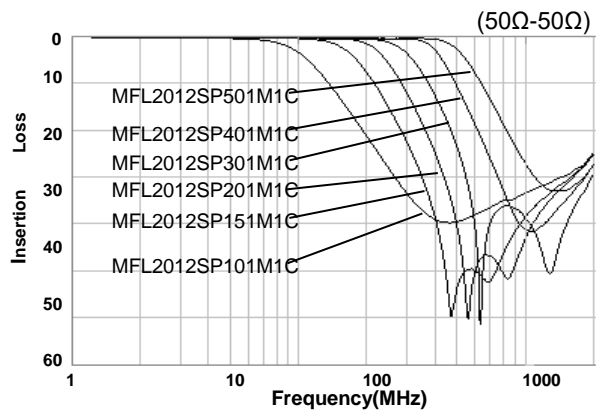
TYPICAL ELECTRICAL CHARACTERISTICS

MFL2012SP TYPE

Equivalent Circuit



Insertion Loss Characteristics (Typical)



X-ON Electronics

Largest Supplier of Electrical and Electronic Components

Click to view similar products for [EMI Filter Circuits](#) category:

Click to view products by [Sunlord](#) manufacturer:

Other Similar products are found below :

[761280-1](#) [SBSGC0500224MXB](#) [SBSPP0250104MXT](#) [SBSPP0250154MXT](#) [SBSPP0500473MXT](#) [SBSPP1000102MXT](#)
[SBSPP1000153MXB](#) [SBSPP1000153MXT](#) [SBSPP1000220MCT](#) [SBSPP1000332MXT](#) [SBSPP1000470MCT](#) [SBSPP1000471MCT](#)
[SBSPP1000472MXT](#) [SNZF220DFT1G](#) [CM1442-06CP](#) [EMI8041MUTAG](#) [SBSPP0500473MXB](#) [SBSPP0500683MXT](#) [SBSPP1000101MCT](#)
[SBSPP1000103MXT](#) [SBSPP1000220MCB](#) [SBSPP1000221MCT](#) [EMIF06-USD05F3](#) [EMIF06-USD04F3](#) [EMIF03-SIM03F3](#)
[EMI7112FCTAG](#) [EMI7403FCTBG](#) [EMI2180MTTBG](#) [CM1442-08CP](#) [CSPEMI204FCTAG](#) [SBSPP1000152MXT](#) [SBSGC5000473MXT](#)
[SBSMC0500474MXT](#) [SBSMC1000334MXT](#) [EMI8043MUTAG](#) [MEA2010PE360T001](#) [NFA18SL307V1A45L](#) [1-6609037-5](#)
[SBSMP0500474MXT](#) [SBSMP5000473MXB](#) [SBSMP5000683MXB](#) [CM6400A](#) [CM1690-06DE](#) [EMIF05-SK01F3](#) [EMIF02-USB03F2](#)
[74273002](#) [BNX012H01](#) [BNX022-01L](#) [BNX024H01B](#) [BNX024H01L](#)