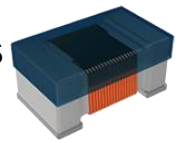


# Wire Wound Chip Ceramic Inductor - SDWL-C-M Series

Operating Temp. : -40°C~+125°C



## FEATURES

- Small chip suitable for surface mounting
- High Q value and high self-resonant frequency with ceramic material
- Tight inductance tolerance and high reliability

## APPLICATIONS

- High frequency circuit in telecommunication and other equipments
- Mobile phones and other electronic devices
- Bluetooth, W-LAN, Broadband network

## PRODUCT IDENTIFICATION

**SDWL**    **1608**    **C**    **10N**    **J**    **S**    **T**    **F**    **M01**  
 ①                      ②                      ③                      ④                      ⑤                      ⑥                      ⑦                      ⑧                      ⑨

①

Type	
SDWL	Wire Wound Chip Inductor

②

External Dimensions	
1608 [0603]	

③

Material Code	
C	Ceramic

④

Nominal Inductance	
Example	Nominal Value
4N7	4.7nH
10N	10nH
R10	100nH

⑤

Inductance Tolerance	
B	±0.1nH
C	±0.2nH
S	±0.3nH
D	±0.5nH
G	±2%
H	±3%
J	±5%

⑥

Feature Type	
S	Sn Plating Five-faces Coating

⑦

Packing	
T	Tape & Reel

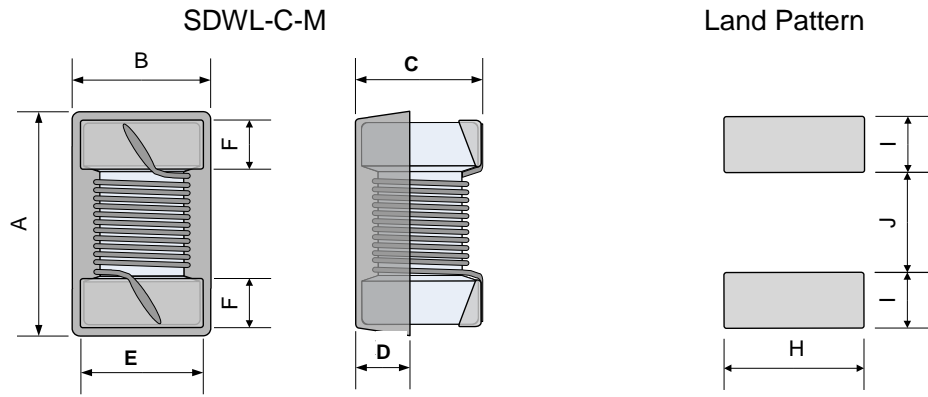
⑧

Hazardous Substance Free Products	
F	

⑨

Internal Code	
M01/M11	Internal Code

## SHAPE AND DIMENSIONS



Unit: mm

Series	A	B	C	D Typ.	E	F	H Typ.	I Typ.	J Typ.
SDWL1608C-M	1.6±0.2	0.9±0.2	0.8±0.2	0.38	0.8±0.15	0.3±0.1	1.02	0.64	0.64

## SPECIFICATIONS

### SDWL1608C-M01 TYPE

Part Number	Inductance	Tolerance	Min. Quality Factor	L/Q Test Freq.	Min. Self-resonant Frequency	Max. DC Resistance	Max. Rated Current
Units	nH	-	-	MHz	MHz	Ω	mA
Symbol	L	-	Q	Freq.	S.R.F	DCR	I <sub>r</sub>
SDWL1608C2N2□STFM01	2.2	C,D	16	100/250	6000	0.049	700
SDWL1608C3N6□STFM01	3.6	C,D	25	100/250	6000	0.059	850
SDWL1608C3N9□STFM01	3.9	C,D	35	100/250	6000	0.059	850
SDWL1608C4N3□STFM01	4.3	C,D	35	100/250	6000	0.059	850
SDWL1608C4N5□STFM01	4.5	C,D	35	100/250	6000	0.059	850
SDWL1608C4N7□STFM01	4.7	C,D	35	100/250	6000	0.059	850
SDWL1608C5N6□STFM01	5.6	C,D	35	100/250	6000	0.082	750
SDWL1608C6N2□STFM01	6.2	C,D	35	100/250	6000	0.082	750
SDWL1608C6N8□STFM01	6.8	C,D	35	100/250	6000	0.082	750
SDWL1608C7N5□STFM01	7.5	C,D	35	100/250	6000	0.082	750
SDWL1608C8N2□STFM01	8.2	C,D	35	100/250	6000	0.11	650
SDWL1608C8N7□STFM01	8.7	C,D	35	100/250	6000	0.11	650
SDWL1608C9N1□STFM01	9.1	C,D	35	100/250	6000	0.11	650
SDWL1608C9N5□STFM01	9.5	C,D	35	100/250	6000	0.11	650
SDWL1608C10N□STFM01	10	G,J	35	100/250	6000	0.11	650
SDWL1608C11N□STFM01	11	G,J	35	100/250	6000	0.11	650
SDWL1608C12N□STFM01	12	G,J	35	100/250	6000	0.13	600
SDWL1608C13N□STFM01	13	G,J	35	100/250	6000	0.13	600
SDWL1608C15N□STFM01	15	G,J	40	100/250	6000	0.13	600
SDWL1608C16N□STFM01	16	G,J	40	100/250	5500	0.16	550
SDWL1608C18N□STFM01	18	G,J	40	100/250	5500	0.16	550
SDWL1608C20N□STFM01	20	G,J	40	100/250	4900	0.16	550
SDWL1608C22N□STFM01	22	G,J	40	100/250	4600	0.17	500
SDWL1608C24N□STFM01	24	G,J	40	100/250	3800	0.21	500
SDWL1608C27N□STFM01	27	G,J	40	100/250	3700	0.21	440
SDWL1608C30N□STFM01	30	G,J	40	100/250	3300	0.23	420
SDWL1608C33N□STFM01	33	G,J	40	100/250	3200	0.23	420
SDWL1608C36N□STFM01	36	G,J	40	100/250	2900	0.26	400
SDWL1608C39N□STFM01	39	G,J	40	100/250	2800	0.26	400
SDWL1608C43N□STFM01	43	G,J	40	100/200	2700	0.29	380

## SPECIFICATIONS

### SDWL1608C-M01 TYPE

Part Number	Inductance	Tolerance	Min. Quality Factor	L/Q Test Freq.	Min. Self-resonant Frequency	Max. DC Resistance	Max. Rated Current
Units	nH	-	-	MHz	MHz	Ω	mA
Symbol	L	-	Q	Freq.	S.R.F	DCR	Ir
SDWL1608C47N□STFM01	47	G,J	38	100/200	2600	0.29	380
SDWL1608C51N□STFM01	51	G,J	38	100/200	2500	0.33	370
SDWL1608C56N□STFM01	56	G,J	38	100/200	2400	0.35	360
SDWL1608C62N□STFM01	62	G,J	38	100/200	2300	0.51	280
SDWL1608C68N□STFM01	68	G,J	38	100/200	2200	0.38	340
SDWL1608C72N□STFM01	72	G,J	34	100/150	2100	0.56	270
SDWL1608C75N□STFM01	75	G,J	34	100/150	2050	0.56	270
SDWL1608C82N□STFM01	82	G,J	34	100/150	2000	0.6	250
SDWL1608C91N□STFM01	91	G,J	34	100/150	1900	0.64	230
SDWL1608CR10□STFM01	100	G,J	34	100/150	1800	0.68	220
SDWL1608CR11□STFM01	110	G,J	32	100/150	1700	1.2	200
SDWL1608CR12□STFM01	120	G,J	32	100/150	1600	1.3	180
SDWL1608CR13□STFM01	130	G,J	32	100/150	1450	1.4	170
SDWL1608CR15□STFM01	150	G,J	32	100/150	1400	1.5	160
SDWL1608CR16□STFM01	160	G,J	32	100/150	1350	2.1	150
SDWL1608CR18□STFM01	180	G,J	25	100	1300	2.2	140
SDWL1608CR20□STFM01	200	G,J	25	100	1250	2.4	120
SDWL1608CR22□STFM01	220	G,J	25	100	1200	2.5	120
SDWL1608CR27□STFM01	270	G,J	30	100	960	3.4	110
SDWL1608CR33□STFM01	330	G,J	30	100	800	5.5	85
SDWL1608CR39□STFM01	390	G,J	30	100	800	6.2	80
SDWL1608CR47□STFM01	470	G,J	30	100	700	7	75

### SDWL1608C-M11 TYPE

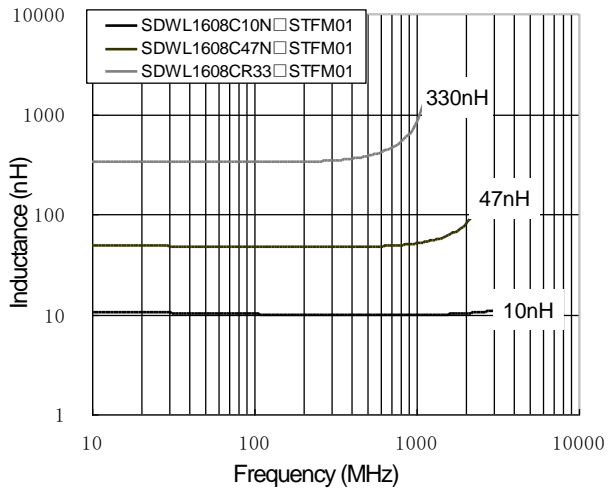
Part Number	Inductance	Tolerance	Min. Quality Factor	L/Q Test Freq.	Min. Self-resonant Frequency	Max. DC Resistance	Max. Rated Current
Units	nH	-	-	MHz	MHz	Ω	mA
Symbol	L	-	Q	Freq.	S.R.F	DCR	Ir
SDWL1608C2N2□STFM11	2.2	C,D	18	100/250	>6000	0.018	1400
SDWL1608C3N9□STFM11	3.9	C,D	38	100/250	>6000	0.032	1000
SDWL1608C5N6□STFM11	5.6	C,D	38	100/250	>6000	0.045	900
SDWL1608C6N8□STFM11	6.8	C,D	38	100/250	>6000	0.045	900
SDWL1608C8N2□STFM11	8.2	S,D	38	100/250	>6000	0.058	800
SDWL1608C10N□STFM11	10	G,J	38	100/250	5000	0.07	800
SDWL1608C12N□STFM11	12	G,J	38	100/250	5000	0.071	750
SDWL1608C15N□STFM11	15	G,J	42	100/250	4500	0.085	700
SDWL1608C18N□STFM11	18	G,J	42	100/250	3500	0.085	700
SDWL1608C22N□STFM11	22	G,J	42	100/250	3200	0.099	640
SDWL1608C27N□STFM11	27	G,J	42	100/250	2800	0.116	590
SDWL1608C33N□STFM11	33	J	42	100/250	2500	0.132	550

※: Please refer to "Measurement Notice for RF Inductors".

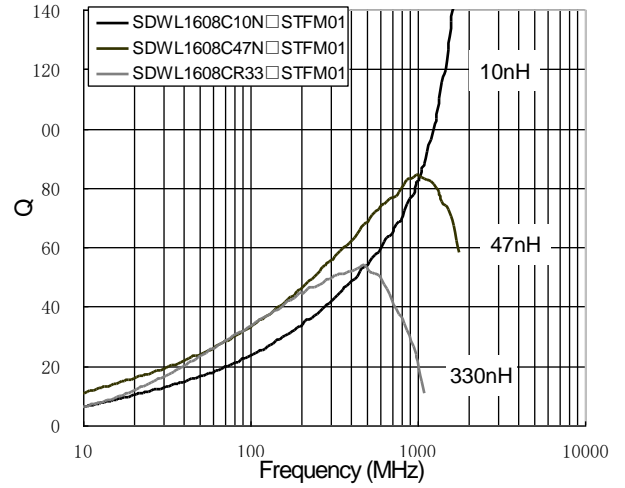
# TYPICAL ELECTRICAL CHARACTERISTICS

## SDWL1608C-M TYPE

### Inductance vs. Frequency Characteristics



### Q vs. Frequency Characteristics



## X-ON Electronics

Largest Supplier of Electrical and Electronic Components

*Click to view similar products for [Fixed Inductors](#) category:*

*Click to view products by [Sunlord](#) manufacturer:*

Other Similar products are found below :

[CR32NP-100KC](#) [70F224AI](#) [MHQ1005P10NJ](#) [MHQ1005P1N0S](#) [MHQ1005P2N4S](#) [MHQ1005P3N6S](#) [MHQ1005P5N1S](#) [MHQ1005P8N2J](#)  
[PE-53601NL](#) [PE-53602NL](#) [PG0936.113NLT](#) [9220-20](#) [9310-16](#) [PM06-2N7](#) [PM06-39NJ](#) [A01TK](#) [1206CS-471XJ](#) [HC2-R47-R](#) [HC8-1R2-R](#)  
[HCF1305-3R3-R](#) [1206CS-151XG](#) [RCH664NP-4R7M](#) [RCP1317NP-391L](#) [DH2280-4R7M](#) [DS1608C-106](#) [B10TJ](#) [B82498B3101J000](#) [ELJ-](#)  
[RE27NJF2](#) [1812CS-153XJ](#) [1812CS-183XJ](#) [1812CS-223XJ](#) [1812LS-104XJ](#) [1812LS-105XJ](#) [1812LS-124XJ](#) [1812LS-154XJ](#) [1812LS-223XJ](#)  
[1812LS-224XJ](#) [1812LS-563XJ](#) [1812LS-683XJ](#) [1812LS-824XJ](#) [NIN-FB101JTR110F](#) [NIN-FB471JTR62F](#) [NIN-FC1R5JTR220F](#) [NIN-](#)  
[HCR15JTRF](#) [NIN-HCR33JTRF](#) [NIN-HDR22JTRF](#) [NIN-HDR82JTRF](#) [NIN-HK2N7STRF](#) [NIN-PA150KTR370F](#) [NIN-PB100KTR550F](#)