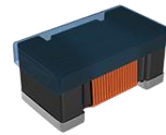


Wire Wound Chip Ferrite Inductor - WL-FS Series

Operating Temp. : -40°C~+85°C



FEATURES

- Small chip suitable for surface mounting
- Large inductance with ferrite material

APPLICATIONS

- Mobile phones and other electronic devices

PRODUCT IDENTIFICATION

WL

①

1608

②

F

③

S

④

18N

⑤

J

⑥

T

⑦

F

⑧

□□□

⑨

①

| | |
|------|--------------------------|
| Type | |
| WL | Wire Wound Chip Inductor |

②

| | |
|---------------------|--|
| External Dimensions | |
| 1608[0603] | |

③

| | |
|---------------|---------|
| Material Code | |
| F | Ferrite |

④

| | |
|--------------|----------|
| Feature Type | |
| S | Standard |

⑤

| | |
|--------------------|---------------|
| Nominal Inductance | |
| Example | Nominal Value |
| 18N | 18nH |
| R13 | 130nH |

⑥

| | |
|----------------------|--------|
| Inductance Tolerance | |
| D | ±0.5nH |
| J | ±5% |
| K | ±10% |
| M | ±20% |

⑦

| | |
|---------|-------------|
| Packing | |
| T | Tape & Reel |

⑧

| | |
|-----------------------------------|--|
| Hazardous Substance Free Products | |
| F | |

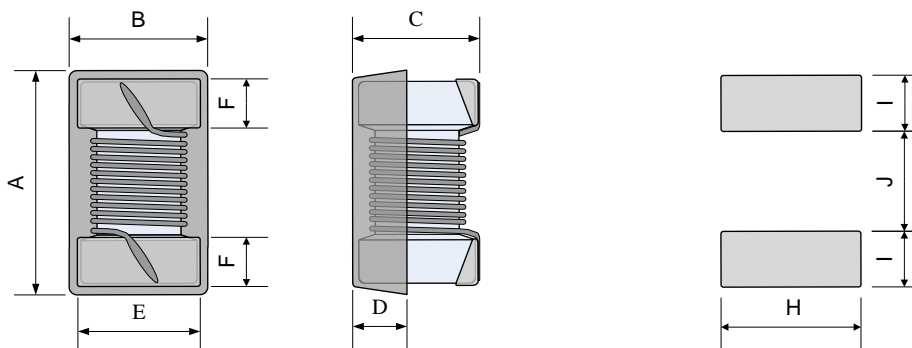
⑨

| | |
|----------------------------|-------------|
| Design Code | |
| □□□ | Design Code |
| *Standard product is blank | |

SHAPE AND DIMENSIONS

WL-FS

Land Pattern



Unit: mm

| Series | A | B | C | D Typ. | E | F | H Typ. | I Typ. | J Typ. |
|--------------|---------|----------|---------|--------|----------|---------|--------|--------|--------|
| WL1608FS | 1.7±0.2 | 1.05±0.2 | 0.8±0.2 | 0.38 | 0.76±0.1 | 0.3±0.1 | 1.02 | 0.64 | 0.64 |
| WL1608FS-M01 | 1.7±0.2 | 0.95±0.2 | 0.8±0.2 | 0.38 | 0.76±0.1 | 0.3±0.1 | 1.02 | 0.64 | 0.64 |

SPECIFICATIONS

WL1608FS TYPE

| Part Number | Inductance | Tolerance | L Test Freq. | Min. Self-resonant Frequency | Max. DC Resistance | Max. Rated Current |
|----------------|------------|-----------|--------------|------------------------------|--------------------|--------------------|
| Units | nH | - | MHz | MHz | Ω | mA |
| Symbol | L | - | Freq. | S.R.F | DCR | I _r |
| WL1608FS47N□TF | 47 | K,M | 7.9 | 2350 | 0.06 | 1200 |
| WL1608FS51N□TF | 51 | J,K,M | 7.9 | 2300 | 0.07 | 1050 |
| WL1608FSR10□TF | 100 | K,M | 7.9 | 1370 | 0.11 | 850 |
| WL1608FSR12□TF | 120 | J,K,M | 7.9 | 1340 | 0.18 | 670 |
| WL1608FSR15□TF | 150 | J,K,M | 7.9 | 1260 | 0.12 | 820 |
| WL1608FSR18□TF | 180 | J,K,M | 7.9 | 1060 | 0.19 | 670 |
| WL1608FSR20□TF | 200 | J,K,M | 7.9 | 1030 | 0.14 | 740 |
| WL1608FSR22□TF | 220 | J,K,M | 7.9 | 850 | 0.20 | 650 |
| WL1608FSR24□TF | 240 | J,K,M | 7.9 | 800 | 0.17 | 690 |
| WL1608FSR25□TF | 250 | J,K,M | 7.9 | 910 | 0.17 | 690 |
| WL1608FSR27□TF | 270 | J,K,M | 7.9 | 780 | 0.24 | 630 |
| WL1608FSR33□TF | 330 | J,K,M | 7.9 | 730 | 0.29 | 510 |
| WL1608FSR39□TF | 390 | J,K,M | 7.9 | 750 | 0.33 | 490 |
| WL1608FSR47□TF | 470 | J,K,M | 7.9 | 670 | 0.37 | 470 |
| WL1608FSR50□TF | 500 | J,K,M | 7.9 | 610 | 0.45 | 410 |
| WL1608FSR56□TF | 560 | J,K,M | 7.9 | 590 | 0.51 | 380 |
| WL1608FSR62□TF | 620 | J,K,M | 7.9 | 570 | 0.48 | 390 |
| WL1608FSR65□TF | 650 | J,K,M | 7.9 | 550 | 0.61 | 350 |
| WL1608FSR68□TF | 680 | J,K,M | 7.9 | 520 | 0.77 | 310 |
| WL1608FSR78□TF | 780 | J,K,M | 7.9 | 480 | 0.83 | 300 |
| WL1608FSR82□TF | 820 | J,K,M | 7.9 | 500 | 0.88 | 290 |
| WL1608FS1R0□TF | 1000 | J,K,M | 7.9 | 410 | 0.94 | 280 |
| WL1608FS1R2□TF | 1200 | J,K,M | 7.9 | 370 | 1.10 | 260 |
| WL1608FS1R5□TF | 1500 | J,K,M | 7.9 | 340 | 1.30 | 240 |
| WL1608FS1R8□TF | 1800 | J,K,M | 7.9 | 190 | 1.40 | 230 |
| WL1608FS2R2□TF | 2200 | J,K,M | 7.9 | 120 | 1.50 | 220 |
| WL1608FS2R7□TF | 2700 | J,K,M | 7.9 | 70 | 1.60 | 210 |
| WL1608FS3R3□TF | 3300 | J,K,M | 7.9 | 60 | 1.80 | 200 |
| WL1608FS3R9□TF | 3900 | J,K,M | 7.9 | 50 | 1.90 | 190 |
| WL1608FS4R7□TF | 4700 | J,K,M | 7.9 | 50 | 2.70 | 160 |
| WL1608FS5R6□TF | 5600 | J,K,M | 7.9 | 40 | 3.00 | 150 |
| WL1608FS6R8□TF | 6800 | J,K,M | 7.9 | 40 | 4.00 | 130 |
| WL1608FS7R8□TF | 7800 | J,K,M | 7.9 | 40 | 4.40 | 120 |
| WL1608FS8R2□TF | 8200 | J,K,M | 7.9 | 40 | 4.50 | 110 |
| WL1608FS100□TF | 10000 | J,K,M | 2.5 | 30 | 5.00 | 100 |
| WL1608FS150□TF | 15000 | J,K,M | 2.5 | 20 | 9.50 | 90 |
| WL1608FS180□TF | 18000 | J,K,M | 2.5 | 20 | 10.40 | 80 |
| WL1608FS220□TF | 22000 | J,K,M | 2.5 | 20 | 11.40 | 70 |
| WL1608FS470□TF | 47000 | J,K,M | 2.5 | 10 | 18.60 | 80 |

SPECIFICATIONS

WL1608FS-M01 TYPE

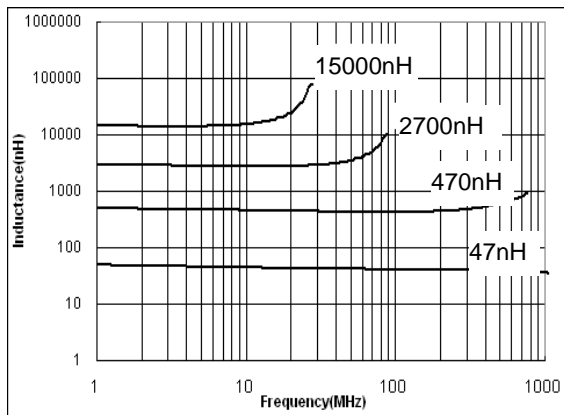
| Part Number | Inductance | Tolerance | L Test Freq. | Min. Self-resonant Frequency | Max. DC Resistance | Max. Rated Current |
|-------------------|------------|-----------|--------------|------------------------------|--------------------|--------------------|
| Units | nH | - | MHz | MHz | Ω | mA |
| Symbol | L | - | Freq. | S.R.F | DCR | I _r |
| WL1608FS4N9□TFM01 | 4.9 | D,K,M | 10 | 2300 | 0.015 | 2600 |
| WL1608FS15N□TFM01 | 15 | J,K,M | 10 | 2000 | 0.025 | 2200 |
| WL1608FS33N□TFM01 | 33 | J,K,M | 10 | 1800 | 0.035 | 1700 |
| WL1608FS55N□TFM01 | 55 | J,K,M | 10 | 1600 | 0.045 | 1500 |
| WL1608FS85N□TFM01 | 85 | J,K,M | 10 | 1380 | 0.060 | 1400 |
| WL1608FSR10□TFM01 | 100 | K,M | 10 | 1260 | 0.100 | 1000 |
| WL1608FSR12□TFM01 | 120 | J,K,M | 10 | 1200 | 0.085 | 1100 |
| WL1608FSR16□TFM01 | 160 | J,K,M | 10 | 900 | 0.100 | 1000 |
| WL1608FSR21□TFM01 | 210 | J,K,M | 10 | 720 | 0.150 | 800 |
| WL1608FSR27□TFM01 | 270 | J,K,M | 10 | 660 | 0.160 | 750 |
| WL1608FSR33□TFM01 | 330 | J,K,M | 10 | 600 | 0.250 | 630 |
| WL1608FSR39□TFM01 | 390 | J,K,M | 10 | 570 | 0.280 | 620 |
| WL1608FSR47□TFM01 | 470 | J,K,M | 10 | 555 | 0.450 | 500 |
| WL1608FSR56□TFM01 | 560 | J,K,M | 10 | 540 | 0.480 | 450 |
| WL1608FSR65□TFM01 | 650 | J,K,M | 10 | 510 | 0.520 | 430 |

※ □: Please specify the inductance tolerance code (D=±0.5nH, J=±5%, K=±10%, M=±20%).

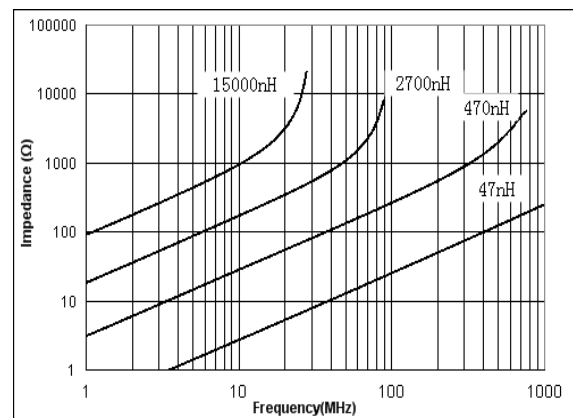
TYPICAL ELECTRICAL CHARACTERISTICS

WL1608FS TYPE

Inductance vs. Frequency Characteristics

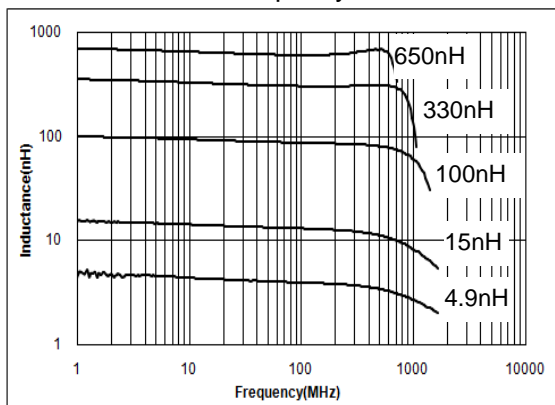


Impedance vs. Frequency Characteristics

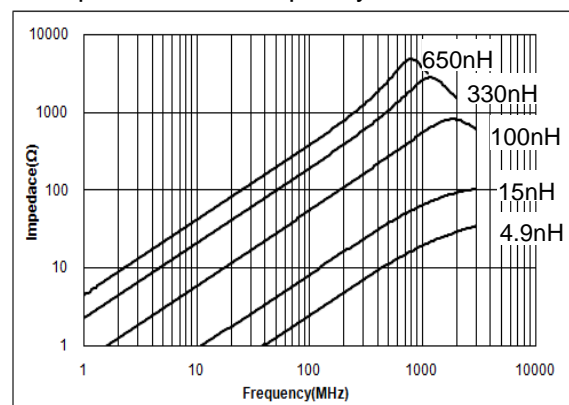


WL1608FS-M01 TYPE

Inductance vs. Frequency Characteristics



Impedance vs. Frequency Characteristics



X-ON Electronics

Largest Supplier of Electrical and Electronic Components

Click to view similar products for [Fixed Inductors](#) category:

Click to view products by [Sunlord](#) manufacturer:

Other Similar products are found below :

[CR32NP-151KC](#) [CR32NP-180KC](#) [CR32NP-181KC](#) [CR32NP-1R5MC](#) [CR32NP-390KC](#) [CR32NP-3R9MC](#) [CR32NP-680KC](#) [CR32NP-820KC](#) [CR32NP-8R2MC](#) [CR43NP-390KC](#) [CR43NP-560KC](#) [CR43NP-680KC](#) [CR54NP-181KC](#) [CR54NP-470LC](#) [CR54NP-820KC](#) [CR54NP-8R5MC](#) [70F224AI](#) [MGDQ4-00004-P](#) [MHL1ECTTP18NJ](#) [MHQ1005P10NJ](#) [MHQ1005P1N0S](#) [MHQ1005P2N4S](#) [MHQ1005P3N6S](#) [MHQ1005P5N1S](#) [MHQ1005P8N2J](#) [PE-51506NL](#) [PE-53601NL](#) [PE-53602NL](#) [PE-53630NL](#) [PE-53824SNLT](#) [PE-92100NL](#) [PG0434.801NLT](#) [PG0936.113NLT](#) [9220-20](#) [9310-16](#) [PM06-2N7](#) [PM06-39NJ](#) [A01TK](#) [1206CS-471XJ](#) [HC2LP-R47-R](#) [HC2-R47-R](#) [HC3-2R2-R](#) [HCF1305-3R3-R](#) [1206CS-151XG](#) [RCH664NP-140L](#) [RCH664NP-4R7M](#) [RCH8011NP-221L](#) [RCP1317NP-332L](#) [RCP1317NP-391L](#) [RCR1010NP-470M](#)