

SAW Single Filter

for B7 / Unbalanced / 5pin /1109

Pinnacle PN: SA0711092G65AT

Key Feature:

√ LTE B7 RX

1 Description

SA0711092G65AT is a high-performance Surface Acoustic Wave (SAW) Bandpass filter optimized for FDD LTE B7 applications operating in the range of 2.62-2.69GHz. It is designed to provide both low insertion loss in the Band7 and high rejection in the adjacent cellular Bands for mobile devices.

SA0711092G65AT uses advanced Chip Scale Package (CSP) technology and is housed in an industry-standard, 5-pin 1.1mm x0.9mm package with a low profile of 0.6mm max.

2 Features

- Low Insertion Loss: 1.20dB at Mid-Band
- High Rejection in B7 TX
- Small Footprint: $0.25 \pm 0.03\text{mm} \times 0.20 \pm 0.03\text{mm}$.
- Package size $1.1 \pm 0.05\text{mm} \times 0.9 \pm 0.05\text{mm}$
- Electrostatic Sensitive Device(ESD)
- Package height 0.6mm max.
- Single-Ended Operation
- RoHS Compliant

3 Package & Dimensions:

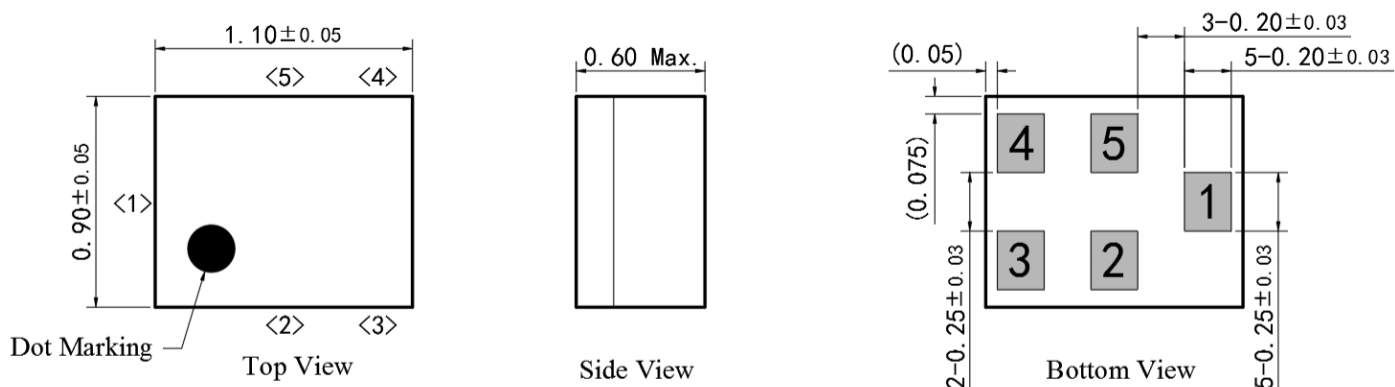


Figure 1: Drawing of Package with each tolerance range

4 Pin configuration

- 1 Input (recommended)
- 4 Output (recommended)
- 2,3,5 To be grounded

5 Matching Circuit(recommended)

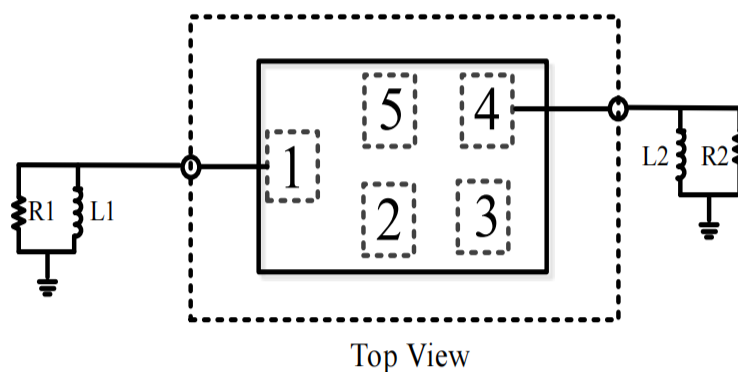


Figure 2: Schematic of matching circuit.

| | |
|------------|--|
| R1: 50 Ohm | L1: 5.1 nH ($Q \approx 15 @ 2650\text{Mhz}$) |
| R2: 50 Ohm | L2: 4.7 nH ($Q \approx 15 @ 2650\text{Mhz}$) |

6 Absolute Maximum Ratings

| Parameter | Rating | Unit |
|------------------------------|---|------|
| Operating Temperature | -30 to +85 | °C |
| Storage Temperature | -40 to +85 | °C |
| Maximum Input Power | +15 | dBm |
| Maximum DC Voltage | 5 | V |
| Input terminating impedance | 50 | Ω |
| Output terminating impedance | 50 | Ω |
| Input Power@input port | Pin=15dBm Continuous wave for 2000h@+55°C | |

7 Recommended Soldering Profile

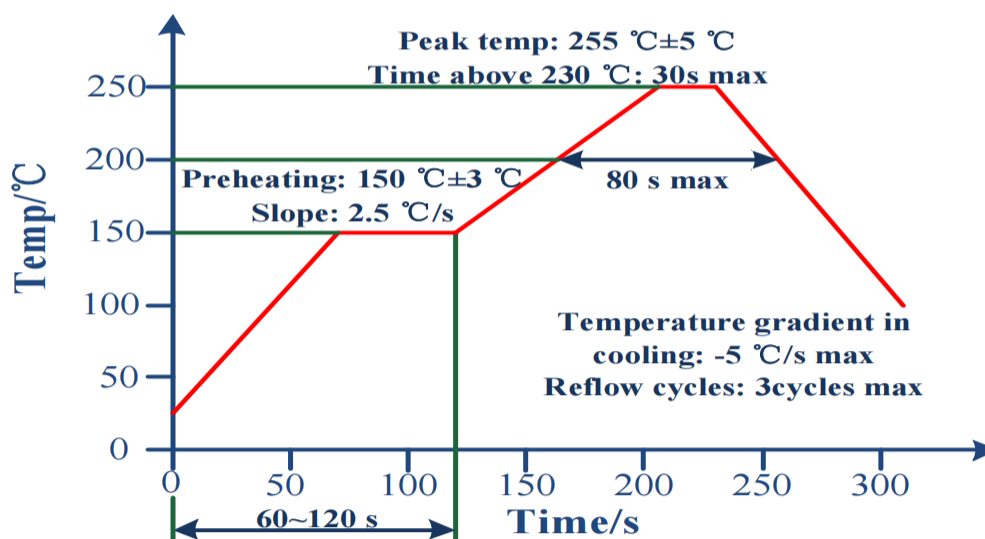


Figure 3: Recommended Reflow profile for convection and infrared soldering -lead-free solder.

8 Electrical Specifications

| Parameter | Conditions | Min | Typ. | Max | Unit |
|-----------------|-----------------|-----|------|-----|------|
| Insertion Loss | 2620 - 2690 MHz | - | 1.9 | 2.5 | dB |
| Passband Ripple | 2620 - 2690 MHz | - | 1.1 | 1.5 | dB |
| Attenuation | 10 – 2500 MHz | | 30 | 34 | dB |
| | 832 – 862 MHz | | 40 | 50 | dB |
| | 1710 – 1785 MHz | | 30 | 35 | dB |
| | 2500 - 2570 MHz | | 33 | 38 | dB |
| | 2775-6000 MHz | | 24 | 27 | dB |
| | | | | | |
| | | | | | |
| | | | | | |
| | | | | | |
| VSWR(input) | 2620 – 2690MHz | - | 1.4 | 2 | - |
| VSWR(output) | 2620 - 2690 MHz | - | 1.4 | 2 | - |

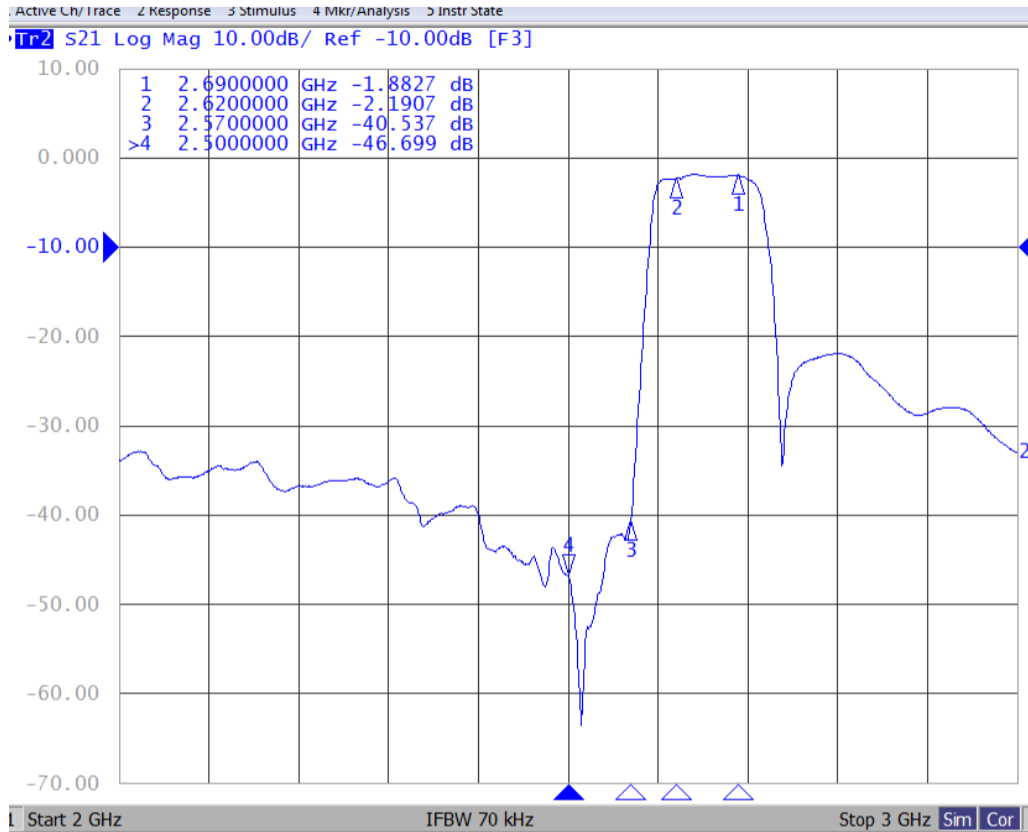
9 Transmission coefficient


Figure 4: |S21|

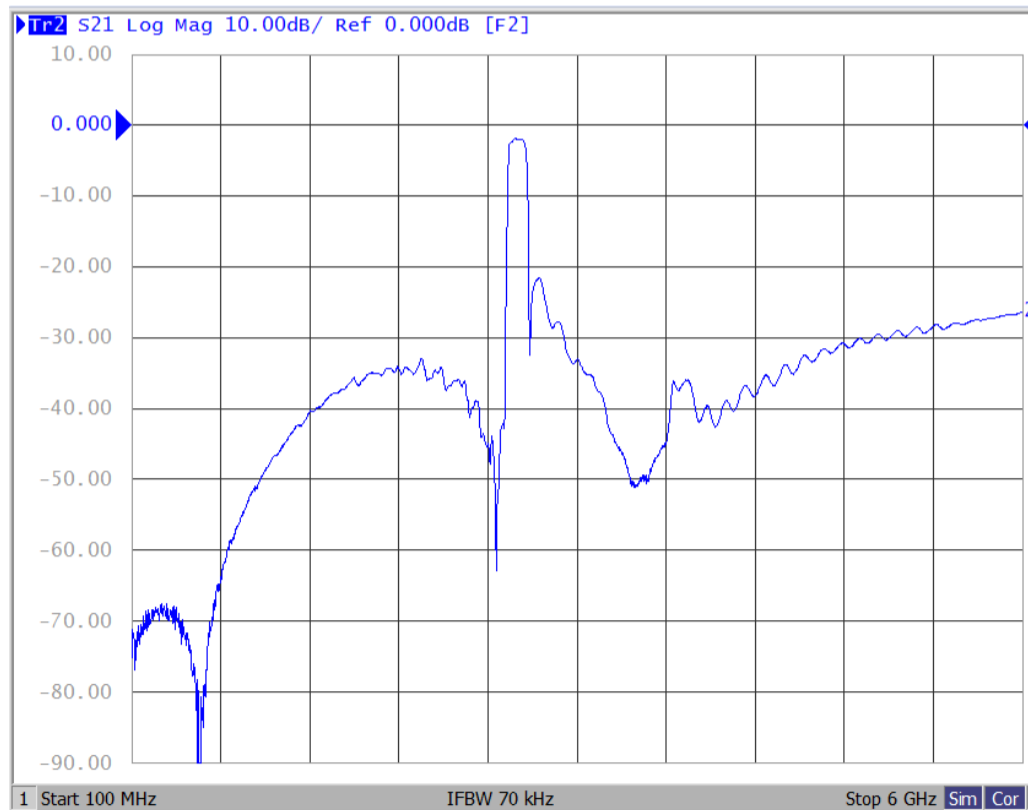


Figure 5: Wide Band |S21|

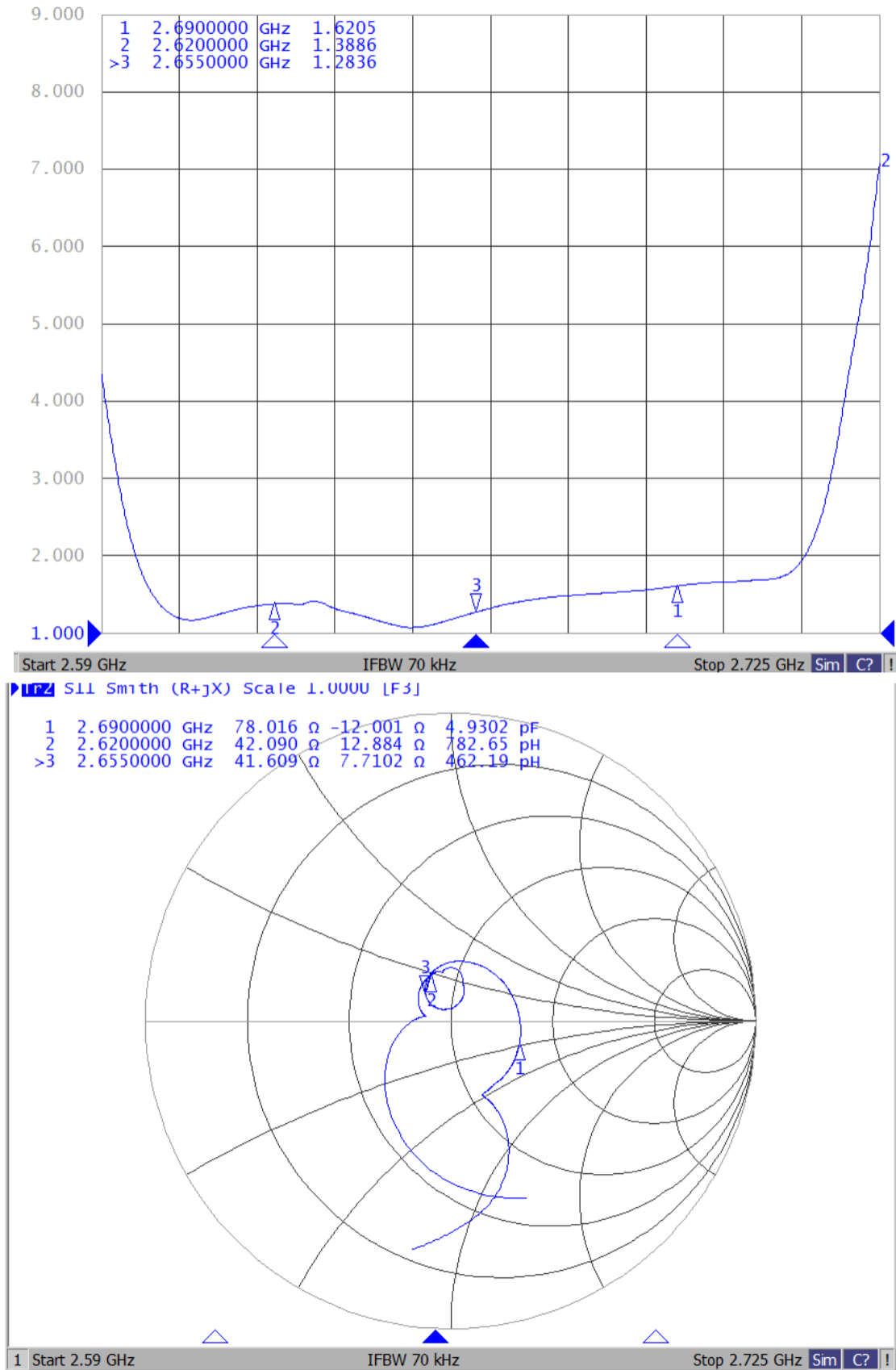
10 Reflection coefficients


Figure 6: Reflection coefficient (S11)

11 Packing material

11.1 Tape

Tensile Strength of Carrier Tape: Carrier tape 10N or more; Cover tape 5N or more. Packaging quantities: 5000 PCS / Reel.

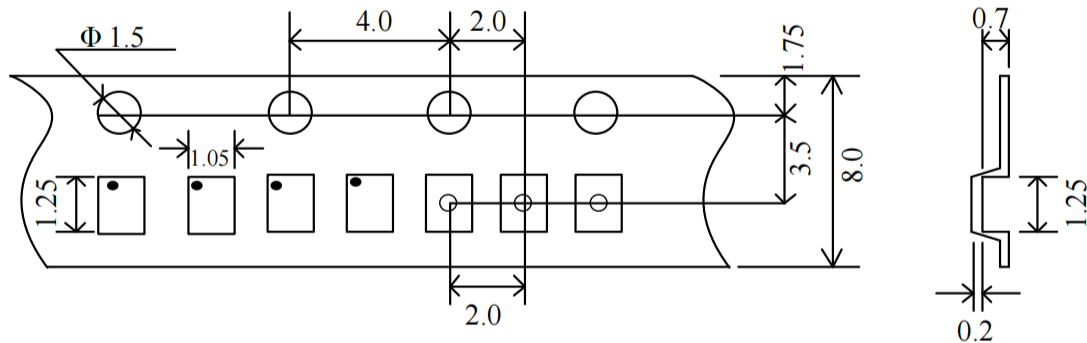


Figure 8: Drawing of tape with tape dimensions according above.

11.2 Reel with diameter of 178mm

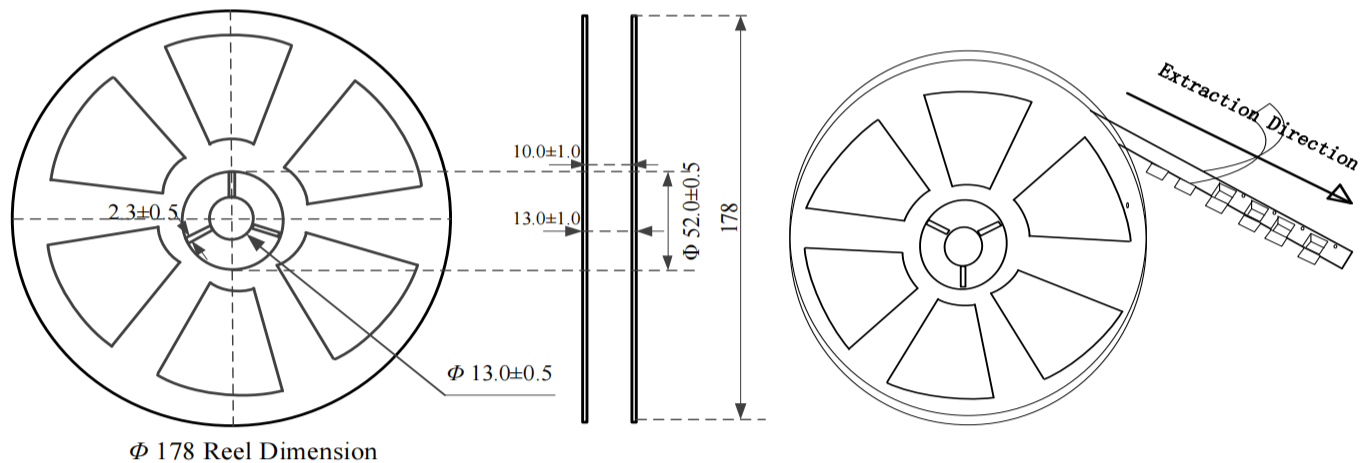


Figure 8: Drawing of reel with diameter of 178mm.

X-ON Electronics

Largest Supplier of Electrical and Electronic Components

Click to view similar products for [Signal Conditioning](#) category:

Click to view products by [Sunltech](#) manufacturer:

Other Similar products are found below :

[PD0409J5050S2HF](#) [HHS-109-PIN](#) [AFS14A35-1591.50-T3](#) [JP510S](#) [LFB322G45SN1A504](#) [SF2159E](#) [FM-104-PIN](#) [CER0813B](#)
[MAPDCC0005](#) [3A325](#) [BD0810N50100AHF](#) [DC0710J5005AHF](#) [DC2327J5005AHF](#) [LFL15869MTC1B787](#) [X3C19F1-20S](#)
[CDBLB455KCAX39-B0](#) [RF1353C](#) [051157-0000](#) [PD0922J5050D2HF](#) [600S150FTRB](#) [1E1305-3](#) [1F1304-3S](#) [TP-103-PIN](#)
[BD1222J50200AHF](#) [BD1722J50100AHF](#) [2450DP39K5400E](#) [BD0810J50150AHF](#) [BD1722J50200AHF](#) [DS-327-PIN](#) [MACP-008125-](#)
[CK07F0](#) [DS-329-PIN](#) [DS-313-PIN](#) [TP-104-PIN](#) [TP-101-PIN](#) [HH-128-PIN](#) [8594810000](#) [T-1000-N](#) [JP506S](#) [XC0900P-10S](#) [XC0900B-30S](#)
[CHE1260-QAG](#) [11305-10](#) [5962-9091202MXA](#) [3A412S](#) [X3C06A4-03S](#) [B39000Z3410A4](#) [DSS-333-PIN](#) [PD2425J5050S2HF](#)
[B39242B4360P810](#) [B39781B8005P810](#)