

SAW Single Filter

for GPS / GLONASS / BEIDOU / GALILEO

Unbalanced / 5pin / 1411

- **Small Size 1.4 x 1.1 mm**
- **Low Insertion Loss**
- **Good Attenuations in Cellular Bands**

1 Description

SAWF14111G58AT is a high-performance Surface Acoustic Wave (SAW) Bandpass filter optimized for GPS / GLONASS / BEIDOU / GALILEO applications operating in the range of 1.55905 GHz to 1.60589 GHz. It is designed to provide both low insertion loss in GPS / GLONASS / BEIDOU / GALILEO and high rejection in the adjacent cellular Bands for mobile devices.

SAWF14111G58AT uses advanced Chip Scale Package (CSP) technology and is housed in an industry-standard, 5-pin 1.4mm x 1.1mm package with a low profile of 0.6mm max.

2 Features

- Low Insertion Loss
- Small Footprint: $0.325 \pm 0.05\text{mm} \times 0.25 \pm 0.05\text{mm}$.
- Package size $1.4 \pm 0.05\text{mm} \times 1.1 \pm 0.05\text{mm}$
- Electrostatic Sensitive Device (ESD)
- Package height 0.6mm max.
- Single-Ended Operation
- RoHS Compliant

3 Package & Dimensions:

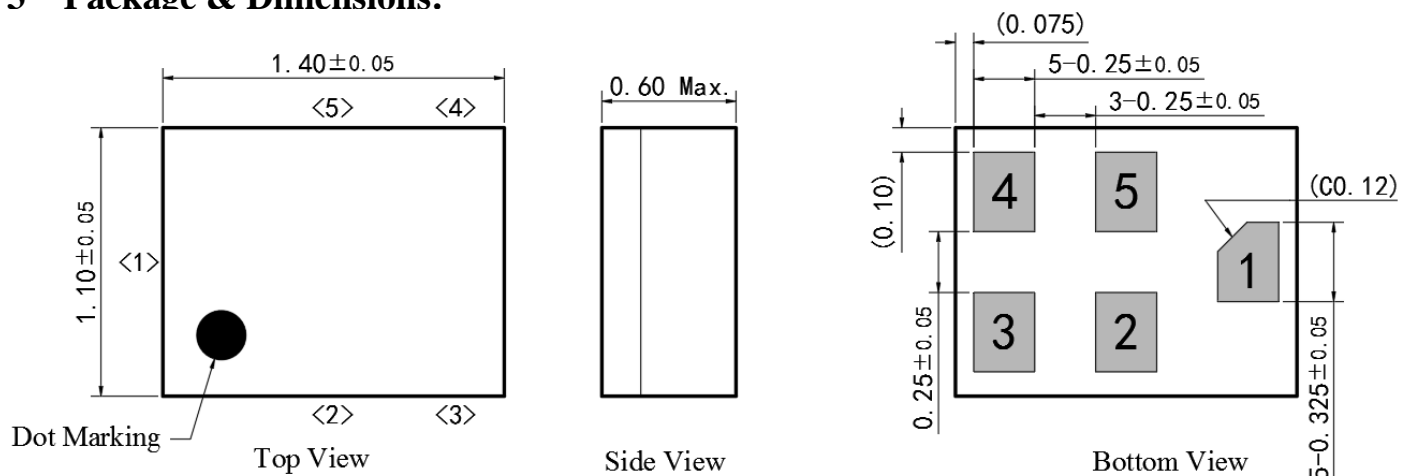


Figure 1: Drawing of Package with each tolerance range

4 Pin configuration

- 1 Input (recommended)
- 4 Output (recommended)
- 2,3,5 To be grounded

5 Matching Circuit(recommended)

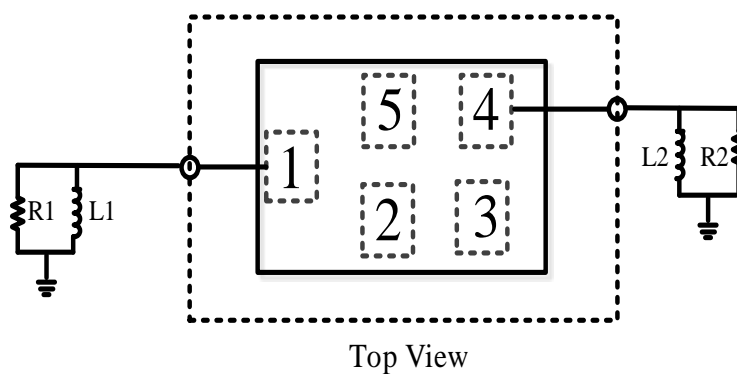


Figure 2: Schematic of matching circuit.

R1: 50 Ohm	L1: NC
R2: 50 Ohm	L2: NC

6 Absolute Maximum Ratings

Parameter	Rating	Unit
Operating Temperature	-30 to +85	°C
Storage Temperature	-40 to +85	°C
Maximum Input Power	+15	dBm
Maximum DC Voltage	5	V

7 Electrical Specifications

(At $T_a=25^{\circ}\text{C}$, unless otherwise specified, as measured on the evaluation board of SAWF14111G58AT with feed line loss de-embedded.)

Parameter	Conditions	Min	Typ.	Max	Unit	Note
Insertion Loss	1559.05 - 1563.15 MHz	-	1.3	1.6	dB	
	1574.39 - 1576.45 MHz	-	1.1	1.4	dB	
	1597.55~1605.89 MHz	-	1.4	1.7	dB	
Passband Ripple	1559.05 - 1563.15 MHz	-	0.2	0.5	dB	
	1574.39 - 1576.45 MHz		0.2	0.5	dB	
	1597.55~1605.89 MHz		0.2	0.5	dB	
Attenuation	824 - 925 MHz	36	45	-	dB	
	1710 - 1785 MHz	37	45	-	dB	
	1850 - 1980 MHz	37	48	-	dB	
	2400 - 2570 MHz	40	42	-	dB	
Group Delay Time Deviation	1597.55~1605.89 MHz		2.5	10	ns	
VSWR Input	1559.05 - 1563.15 MHz	-	1.4	1.7	-	
	1574.39 - 1576.45 MHz	-	1.2	1.6	-	
	1597.55~1605.89 MHz	-	1.2	1.6	-	
VSWR Output	1559.05 - 1563.15 MHz	-	1.4	1.6	-	
	1574.39 - 1576.45 MHz	-	1.2	1.6	-	
	1597.55~1605.89 MHz	-	1.3	1.7	-	

8 Transmission coefficient

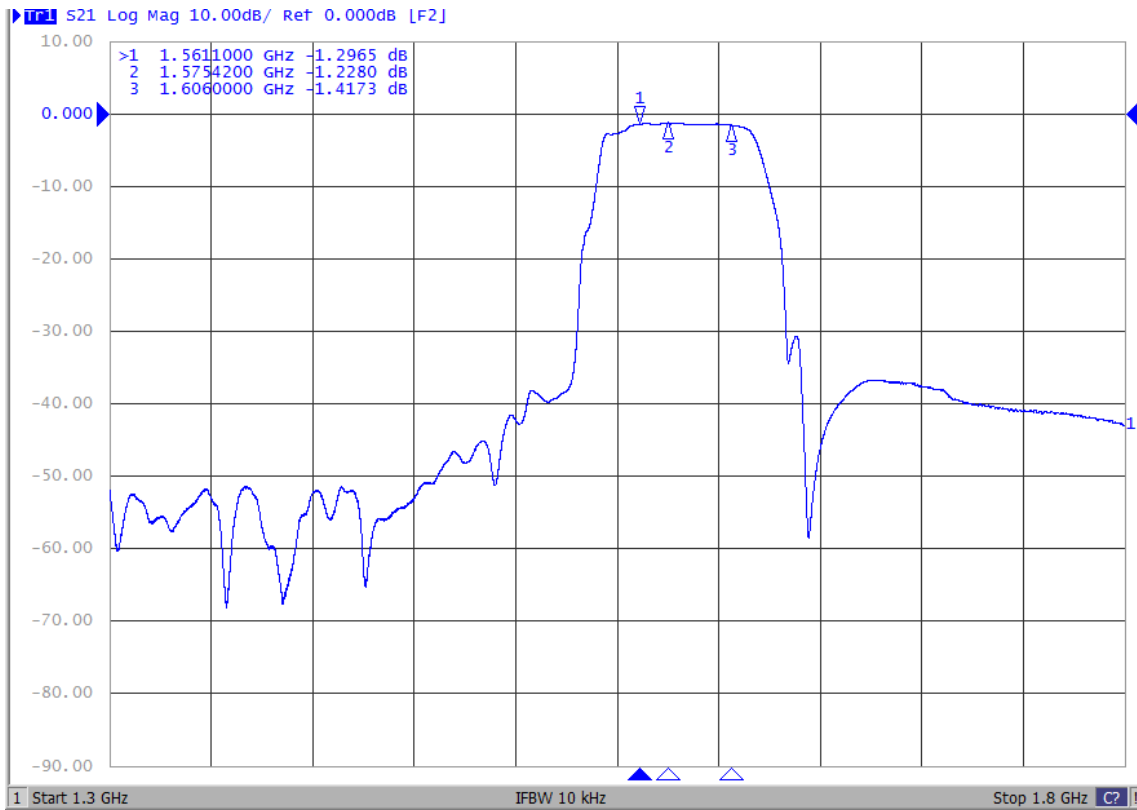


Figure 3: |S21|

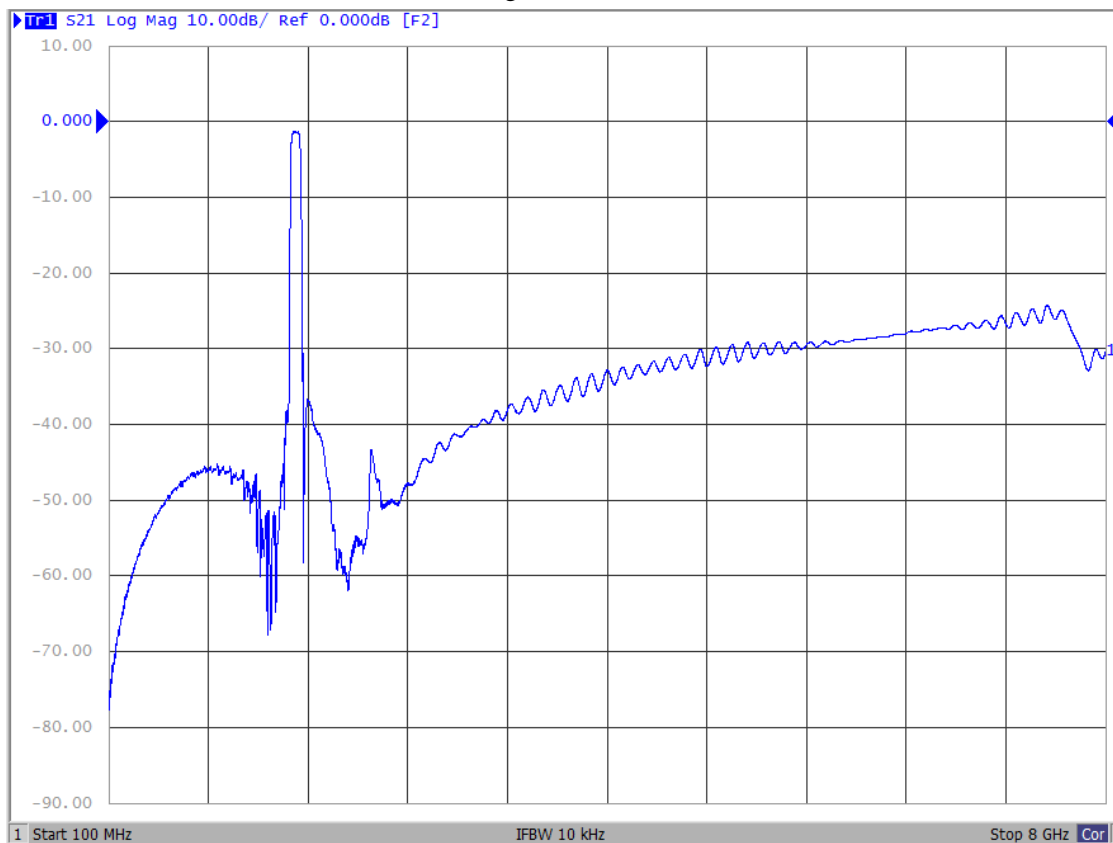
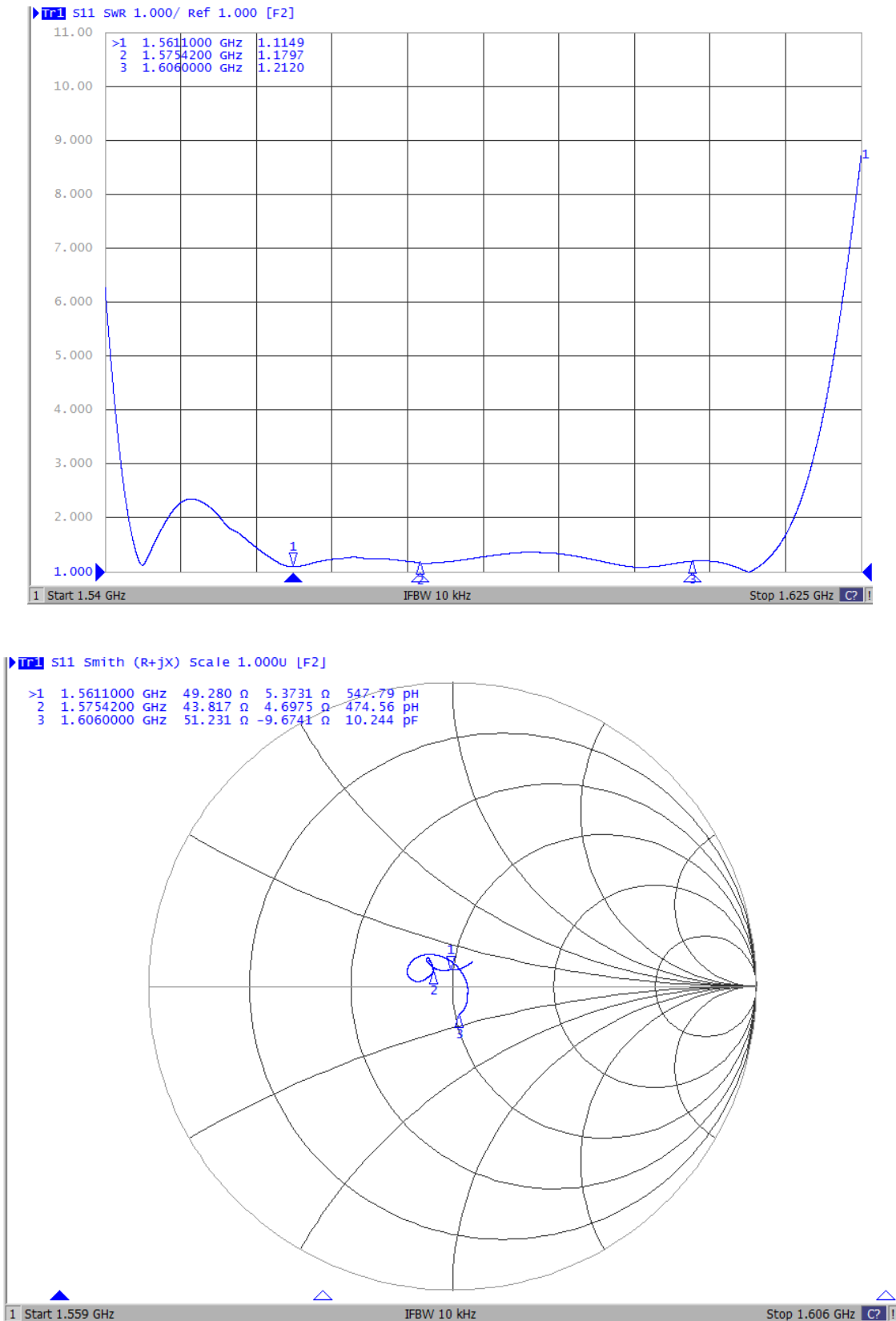


Figure 4: Wide Band |S21|

9 Reflection coefficients

Figure 5: Reflection coefficient (S11)

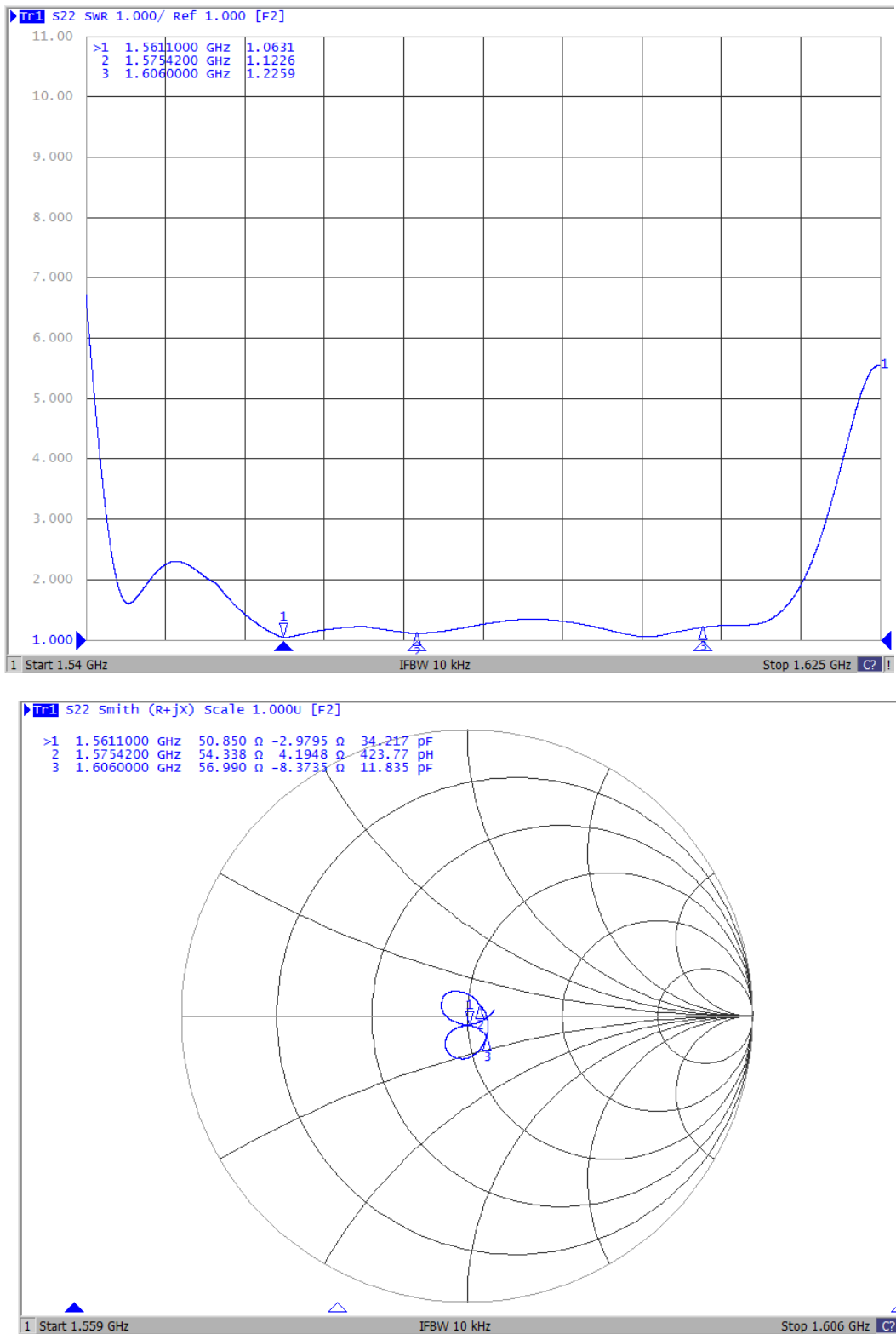


Figure 6: Reflection coefficient (S22)

10 Packing material

10.1 Tape

Tensile Strength of Carrier Tape: Carrier tape 10N or more; Cover tape 5N or more. Packaging quantities: 5000 PCS / Reel.

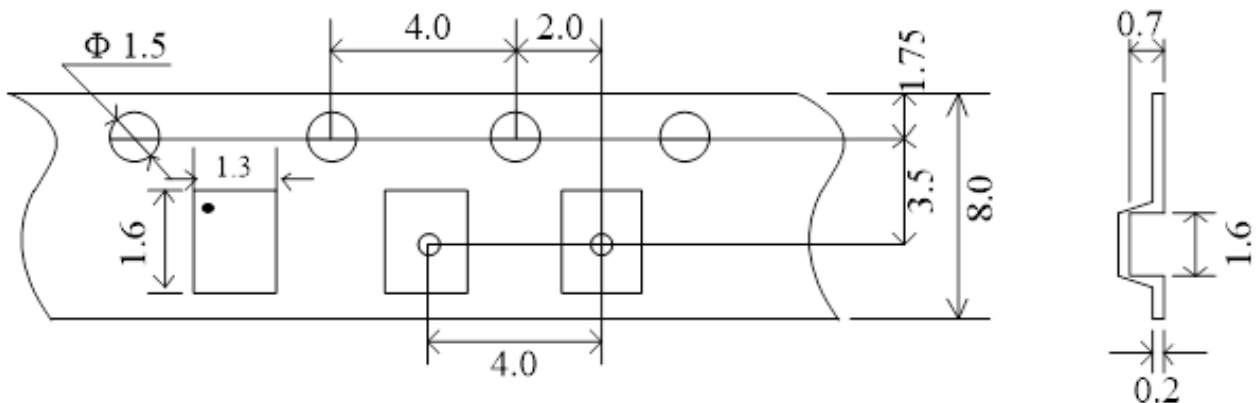


Figure 7: Drawing of tape with tape dimensions according above.

10.2 Reel with diameter of 178mm

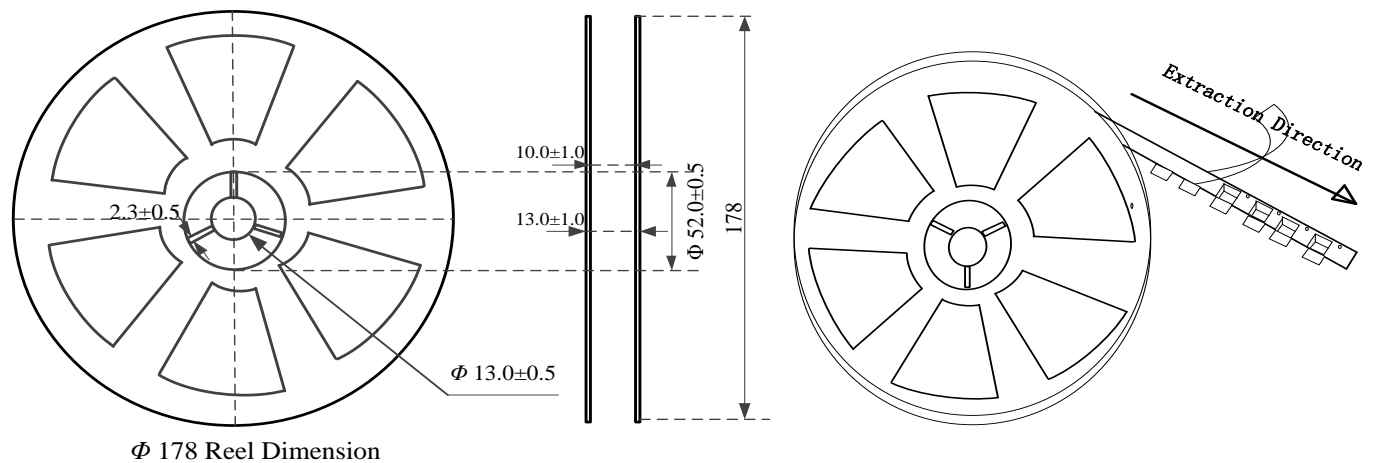


Figure 8: Drawing of reel with diameter of 178mm.

X-ON Electronics

Largest Supplier of Electrical and Electronic Components

Click to view similar products for [Signal Conditioning](#) category:

Click to view products by [Sunltech](#) manufacturer:

Other Similar products are found below :

[MAPDCC0001](#) [MAPDCC0004](#) [PD0409J5050S2HF](#) [HHS-109-PIN](#) [AFS14A35-1591.50-T3](#) [DS-323-PIN](#) [JP510S](#) [LFB322G45SN1A504](#)
[SF2159E](#) [FM-104-PIN](#) [CER0813B](#) [MAPDCC0005](#) [3A325](#) [BD0810N50100AHF](#) [JHS-115-PIN](#) [DC0710J5005AHF](#) [DC2327J5005AHF](#)
[LFB2H2G60BB1C106](#) [LFL15869MTC1B787](#) [X3C19F1-20S](#) [XC3500P-20S](#) [CDBLB455KCAX39-B0](#) [RF1353C](#) [051157-0000](#)
[PD0922J5050D2HF](#) [600S150FTRB](#) [1E1305-3](#) [1F1304-3S](#) [1G1304-30](#) [TP-103-PIN](#) [BD1222J50200AHF](#) [BD1722J50100AHF](#)
[2450DP39K5400E](#) [BD0810J50150AHF](#) [BD1722J50200AHF](#) [DSS-113-PIN](#) [DS-327-PIN](#) [MACP-008125-CK07F0](#) [DS-329-PIN](#) [DS-313-PIN](#)
[M38510/10304BCA](#) [TP-104-PIN](#) [HH-128-PIN](#) [JP506S](#) [XC0900P-10S](#) [XC0900B-30S](#) [CHS-134-PIN](#) [CHE1260-QAG](#) [11305-10](#) [5962-](#)
[9091202MXA](#)