

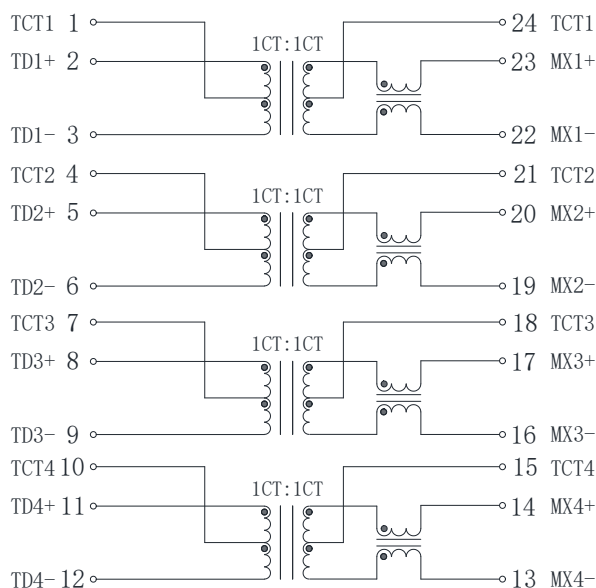
1.Feature:

- ◆ Compliant with IEEE 802.3 standard
- ◆ Comply with RoHS & Halogen Free requirements.
- ◆ Operating Temperature:-40°C~+85°C
- ◆ Storage temperature range:-25°C to + 120°C.

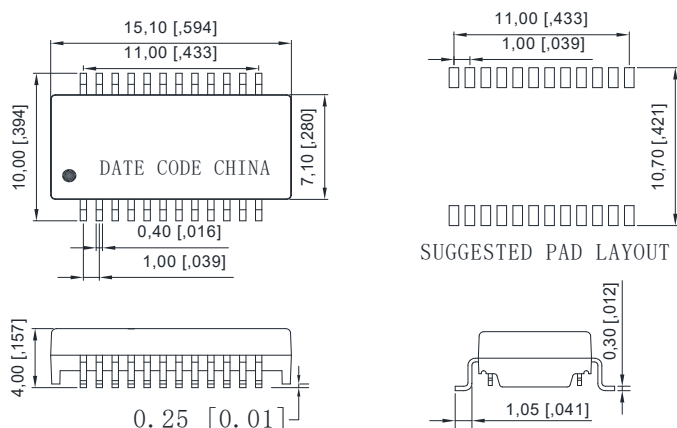
Electrical Specification @25°C

Inductance:	350 uH Min. @ 100 KHz, 100mV 8mA DC Bias			
Hi-POT :	1500Vrms 1mA 1Second			
Turn Ratio:	1CT:1CT±3%			
Cw/w:	35pF Max			
Insertion Loss:	-1dB Max. @1MHz ~100MHz			
RETURN LOSS(RL) (Z out=100 OHM)	1-40MHz	50 MHz	6-80MHz	100MHz
	-18dB Min.	-14dB Min.	-12dB Min.	-10MHz
Cross Talk:	1MHz-100MHz			
	-30dBMin.			
CMRR	1MHz-100MHz			
	-30dBMin.			

2.Schematic:



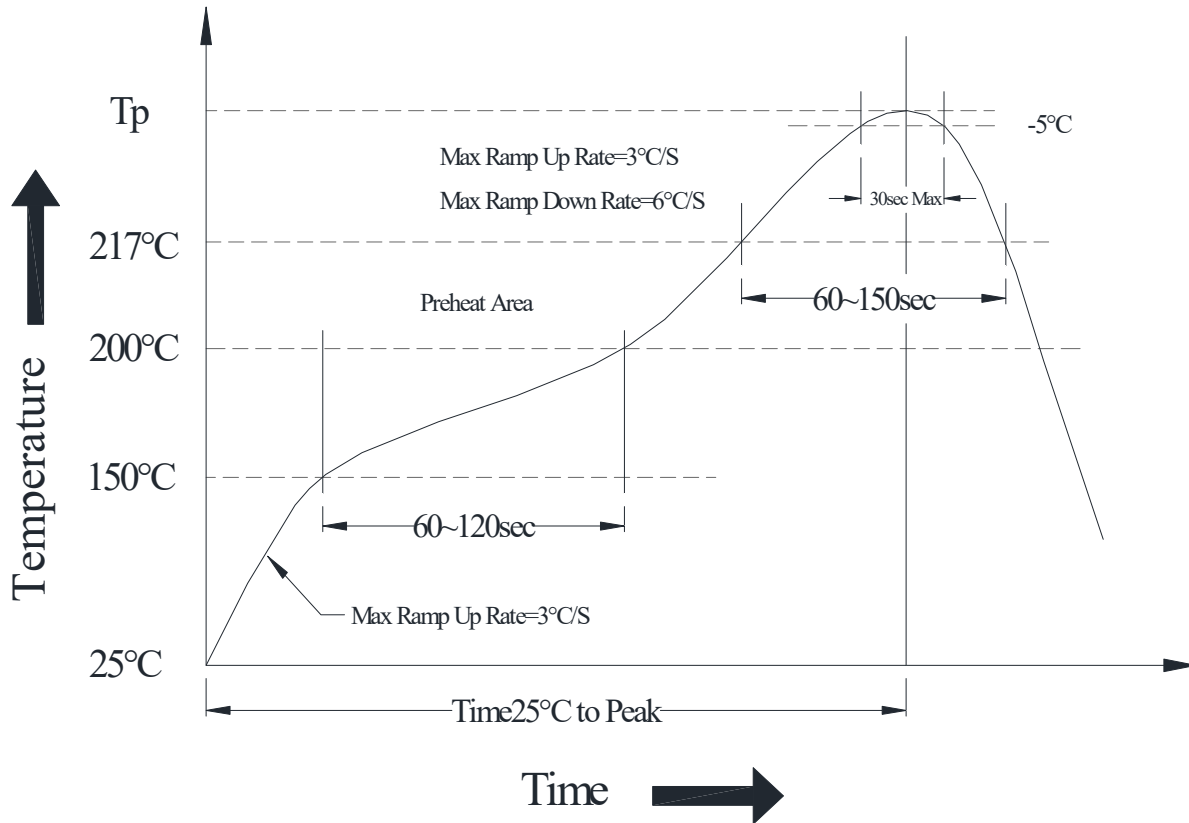
3.Mechanical:



Units:mm[Inches] Tolerances:xx. x0±0.25[0.010] 0.xx±0.05[0.002]

4. Recommend reflow soldering curve:

Lead-free Recommended Soldering Profile:
(SMD parts)



Remarks:

- peak temperature (T_p) = See temperature classification
- Maximum preheat rate = 3°C/sec
- Ramp up rate = 3°C/sec Max
- Time above 217°C = 60 sec Min / 150 sec Max
- Maximum cooling rate = 6°C/sec
- $T_{25^\circ\text{C}}$ to peak = 8 min Max
- preheat Time = 60 ~ 120 sec
- The number of allowed cycles in IR reflow ≤ 2 cycles

Standard Packing Quantity 800 pcs / reel

X-ON Electronics

Largest Supplier of Electrical and Electronic Components

Click to view similar products for [Audio Transformers / Signal Transformers](#) category:

Click to view products by [Sunltech](#) manufacturer:

Other Similar products are found below :

[CU4S0506AT-2655-H1](#) [CX2041NLT](#) [MGPWT-00449-P](#) [PE-64961](#) [H5020FNLT](#) [H5077NLT](#) [1812WBT2-4](#) [1879479-1](#) [PA1528ANL](#)
[T1137NLT](#) [T3012NL](#) [PE-65812FNL](#) [PE-65848FNLT](#) [H5019EFNL](#) [CX2045ALNLT](#) [MET-14](#) [MGPWT-00059-P](#) [MGPWT-00266-P](#)
[MGPWT-00278-P](#) [MGPWT-00431-P](#) [TTC-100](#) [TTC-143-H](#) [TTC-5032-1](#) [4-1879391-0](#) [100213](#) [T1142NL](#) [HX5020FNLT](#) [HX5014FNLT](#)
[T1124NL](#) [1879732-1](#) [2-1879391-5](#) [B8846NL](#) [MABA-010321-CT1A42](#) [TX1341NL](#) [H0013FNL](#) [H5020FNL](#) [H2009FNLT](#) [H5004NLT](#) [X-](#)
[1619](#) [T5008NLT](#) [PE-68517T](#) [MGPWT-00339-P](#) [HX5084FNLT](#) [H5014FNLT](#) [TX1473NLT](#) [PE-69011NLT](#) [CX2043LNLT](#) [H7137FNLT](#)
[H1259NLT](#) [LM-LP-1005L](#)