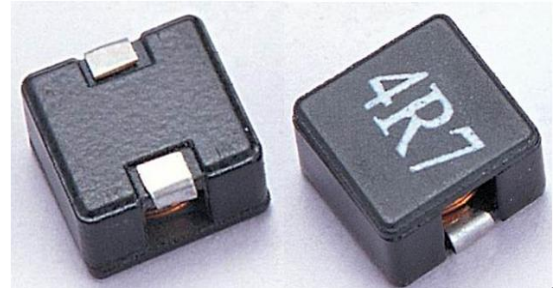
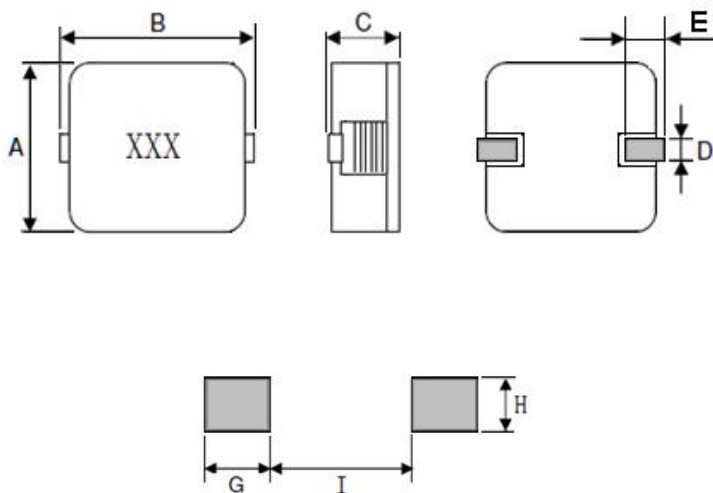



◆ Features

1. High current, low loss of iron powder core
2. Low profile for machine placement
3. Minimize electromagnetic interference
4. Suppress common mode noise
5. Prevent EMI effect via precise impedance
6. Custom design available


◆ Dimensions(mm)

◆ Lead Free Part Numbering

SLB 1890 P 4R5 M T T
 ① ② ③ ④ ⑤ ⑥ ⑦

- ① Series Type;
- ② Dimension;
- ③ Material type;
- ④ Inductance 4R5=4.5UH;
- ⑤ Inductance Tolerance: M=±20%;
- ⑥ Company Code;
- ⑦ Packaging: T - Tape & reel;

单位: mm

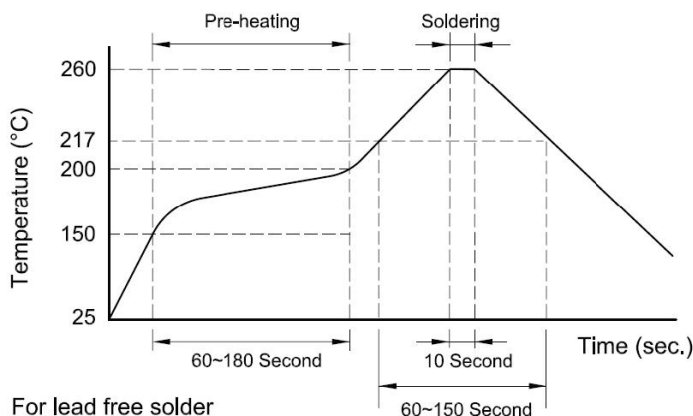
Series	A	B	C	D	E	G	H	I
SLB1890P	18.2±0.5	18.3±1.0	9.2Max	3.5±1.5	4.5±1.0	6.0	6.0	7.3

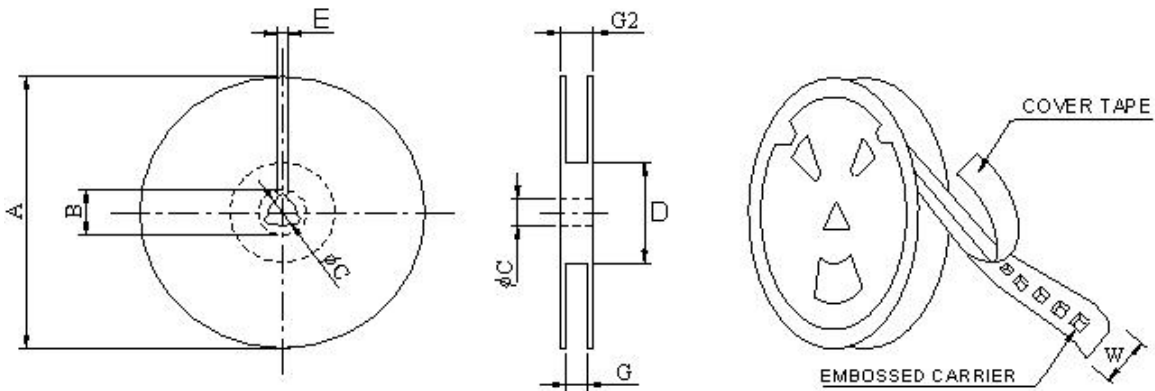
◆ Specification

Part Number	Inductance (μH)	DCR(m Ω)		I _{rms} (A) Typ	I _{sat} (A) Typ	TEST FREQUENCY
		Typ	Max			
SLB1890P						
SLB1890PR82MTT	0.82 ± 20%	0.54	0.58	41.5	65.0	100KHz/0.1V
SLB1890P1R3MTT	1.3 ± 20%	0.94	1.02	34.5	62.0	100KHz/0.1V
SLB1890P1R9MTT	1.9 ± 20%	1.20	1.30	32.5	52.0	100KHz/0.1V
SLB1890P2R6MTT	2.6 ± 20%	1.58	1.71	31.5	50.0	100KHz/0.1V
SLB1890P3R5MTT	3.5 ± 20%	3.10	3.35	22.5	37.0	100KHz/0.1V
SLB1890P4R5MTT	4.5 ± 20%	3.40	3.67	20.5	37.0	100KHz/0.1V
SLB1890P5R6MTT	5.6 ± 20%	3.70	4.00	19.0	33.0	100KHz/0.1V
SLB1890P6R8MTT	6.8 ± 20%	4.10	4.43	18.5	27.0	100KHz/0.1V
SLB1890P100MTT	10 ± 20%	7.10	7.67	16.5	18.5	100KHz/0.1V
SLB1890P150MTT	15 ± 20%	9.30	10.05	14.0	14.0	100KHz/0.1V
SLB1890P220MTT	22 ± 20%	14.6	15.77	11.0	11.0	100KHz/0.1V
SLB1890P330MTT	33 ± 20%	22.6	24.41	8.5	9.0	100KHz/0.1V
SLB1890P470MTT	47 ± 20%	34.0	36.72	6.8	7.0	100KHz/0.1V

NOTE:

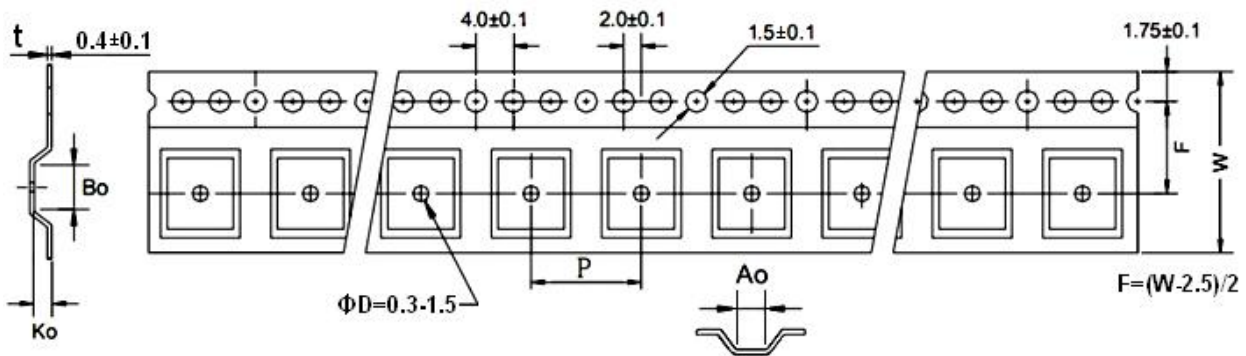
- All test data is referenced to 25°C ambient.
- I_{rms}: DC current(A) that will cause an approximate ΔT of 50°C.
- I_{sat}: DC current(A) that will cause L_o to drop approximate 30%.
- Operating temperature range is P40°C to 125°C.
- The part temperature(ambient and temp rise) should not exceed 125°C under worse case operating conditions. Circuit design, component placement, PWB trace size and thickness, airflow and other cooling provision all affect the part temperature. Part temperature should be verified in the end application.

◆ Recommended Soldering conditions


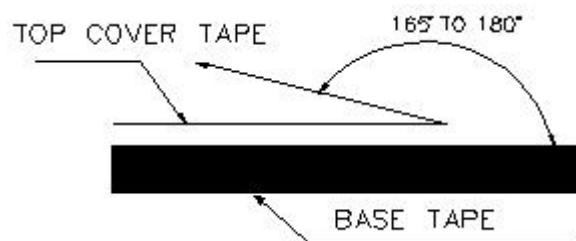
◆ Packaging


*CARRIER TAPE WIDTH: W

Series	TYPE	A(Ref.)	B(Ref.)	C(Ref.)	D(Ref.)	E(Ref.)	G(Ref.)	G2(Ref.)
SLB1890P	13**32mm	330±1	20±0.8	13±0.5	100±1	2.0±0.5	32.5±0.5	37±0.5



Series	QTY (Pcs/Reel)	Ao	Bo	Ko	W	P
SLB1890P	250	18.8	19.4	9.5	32	24



Typical Pulling Force: 10P130 grams

X-ON Electronics

Largest Supplier of Electrical and Electronic Components

Click to view similar products for [Fixed Inductors](#) category:

Click to view products by [Sunltech](#) manufacturer:

Other Similar products are found below :

[CR32NP-100KC](#) [70F224AI](#) [MHQ1005P10NJ](#) [MHQ1005P1N0S](#) [MHQ1005P2N4S](#) [MHQ1005P3N6S](#) [MHQ1005P5N1S](#) [MHQ1005P8N2J](#)
[PE-53601NL](#) [PE-53602NL](#) [PG0936.113NLT](#) [9220-20](#) [9310-16](#) [PM06-2N7](#) [PM06-39NJ](#) [A01TK](#) [1206CS-471XJ](#) [HC2-R47-R](#) [HC8-1R2-R](#)
[HCF1305-3R3-R](#) [1206CS-151XG](#) [RCH664NP-4R7M](#) [RCP1317NP-391L](#) [DH2280-4R7M](#) [DS1608C-106](#) [B10TJ](#) [B82498B3101J000](#) [ELJ-](#)
[RE27NJF2](#) [1812CS-153XJ](#) [1812CS-183XJ](#) [1812CS-223XJ](#) [1812LS-104XJ](#) [1812LS-105XJ](#) [1812LS-124XJ](#) [1812LS-154XJ](#) [1812LS-223XJ](#)
[1812LS-224XJ](#) [1812LS-563XJ](#) [1812LS-683XJ](#) [1812LS-824XJ](#) [NIN-FB101JTR110F](#) [NIN-FB471JTR62F](#) [NIN-FC1R5JTR220F](#) [NIN-](#)
[HCR15JTRF](#) [NIN-HCR33JTRF](#) [NIN-HDR22JTRF](#) [NIN-HDR82JTRF](#) [NIN-HK2N7STRF](#) [NIN-PA150KTR370F](#) [NIN-PB100KTR550F](#)