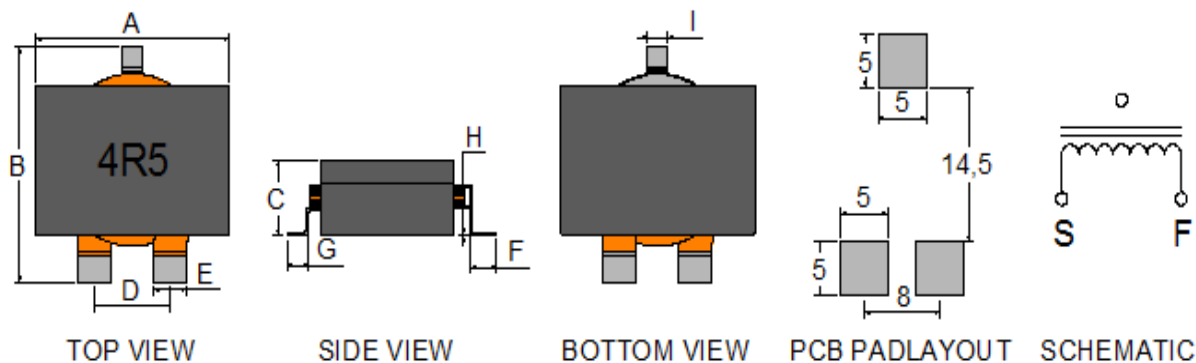


1.Drawing(UNIT:mm)


ITEM	A	B	C	D	E	F	G	H	I	
Standard (mm)	21	22.5	7.3	8.00	3.50	3.00	2.20	0.10	2.20	
	MAX	MAX	MAX	±0.7	±0.2	±0.5	±0.5	MIN	±0.5	

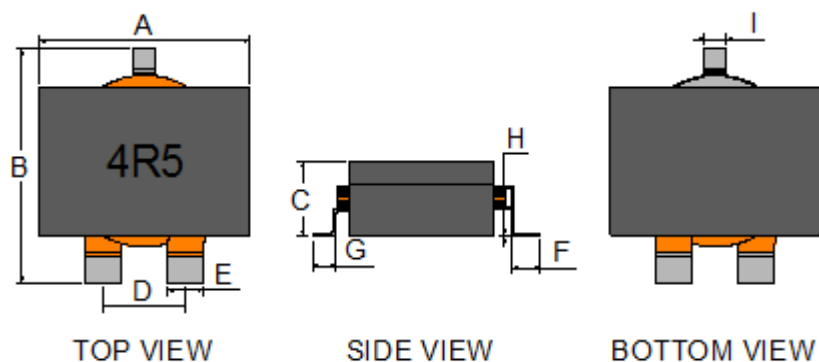
2.Electrical Specification(25°C)

ITEM	Frequency	L(μH)		DCR(mΩ)		Isat (A)		Irms (A)	
Standard	100KHz/1V	4.5	±20%	7.00	MAX	20.0	MAX	16.0	MAX

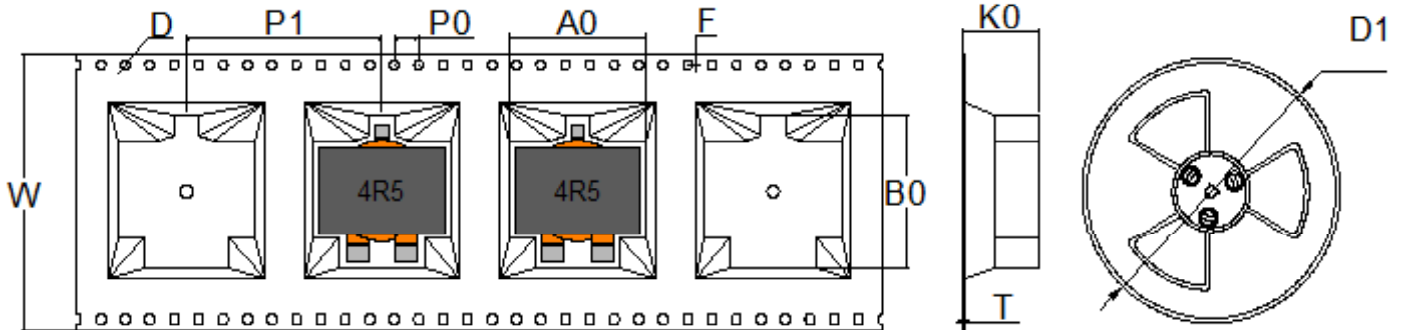
Saturation Current : Based on the original inductance 30% reduction is the largest
Heat rating Current : Based on the original environment temperature rises 40°C is the largest

3.MATERIAL LIST

NO.	Differentiate	Supplier	Material specifications	UL CODE
1	CORE	JIANUO	EIR20/14/7.0-JNP4-AL180	
2	WIRE	SUNTEK WIRE	0.25*3.5*9.2=4.75TS	E234867
3	PIN	JIEHUI	C2680 0.3*10*16	
4	EPOXY	LIDUO&TIANGKAN	E500HF&G500HF	
5	MARKING	LASER	LASER MARKING	

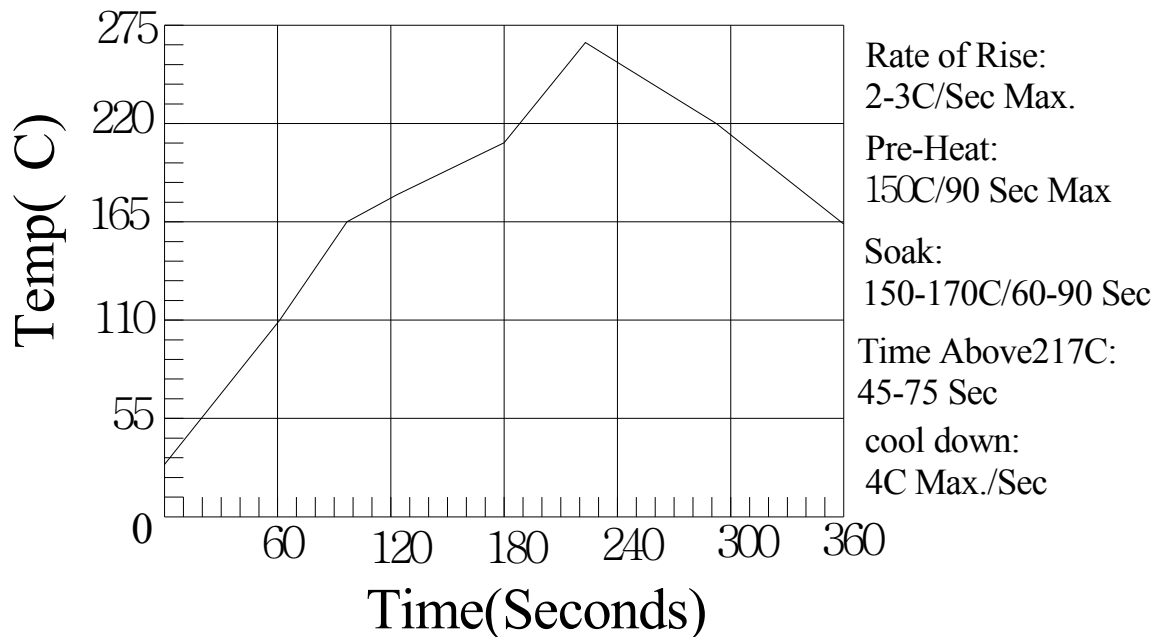
4.TEST DATA


儀器工具 Instrument	LCR 6379 BIAS 6220			頻率電壓 frequency/Voltage			電流疊加 (A) Current superposition				環境: surroundings		
	HIOKI 3540 數顯卡尺			100KHz/1V			Is	20.00	Ir	16.00	26°C&68%		
項目 ITEM	Ls(uH)	Isat (A)	Drop%	DCR (mΩ)	尺寸 Size (mm)								
		20			A	B	C	D	E	F	G	H	I
标准 Standard	4.50 ±20%	≥Ls*70%	30% MAX	7.00 MAX	21.0 MAX	22.5 MAX	7.3 MAX	8.0 ±0.7	3.5 ±0.2	3.0 ±0.5	2.2 ±0.5	0.1 MIN	2.2 ±0.5
1	4.29	4.16	0.03	4.00	20.12	21.70	7.20	8.10	3.46	2.90	2.18	0.12	2.23
2	4.38	4.10	0.06	4.10	20.13	21.62	7.12	8.05	3.47	3.00	2.19	0.15	2.22
3	4.41	4.24	0.04	4.10	20.11	21.90	7.13	8.20	3.48	2.90	2.18	0.12	2.24
4	4.37	4.17	0.05	3.90	20.12	21.92	7.15	7.96	3.41	2.86	2.18	0.15	2.21
5	4.30	4.17	0.03	4.00	20.03	21.90	7.20	8.10	3.40	2.93	2.19	0.15	2.23
6	4.27	4.14	0.03	4.00	20.05	21.94	7.13	8.05	3.40	2.95	2.19	0.12	2.20
7	4.52	4.18	0.08	4.10	20.17	21.78	7.13	8.06	3.42	2.96	2.18	0.13	2.20
8	4.34	4.20	0.03	4.10	20.11	21.79	7.19	8.12	3.45	2.98	2.19	0.15	2.20
9	4.29	4.17	0.03	4.00	20.13	21.67	7.12	7.95	3.46	3.00	2.18	0.12	2.21
10	4.48	4.27	0.05	4.10	20.08	21.88	7.13	8.16	3.45	2.98	2.20	0.15	2.20
MIN	4.27	4.27	0.03	3.90	20.03	21.62	7.12	7.95	3.40	2.86	2.18	0.12	2.20
MAX	4.52	4.27	0.08	4.10	20.17	21.94	7.20	8.20	3.48	3.00	2.20	0.15	2.24
AVE	4.37	4.18	0.04	4.04	20.11	21.81	7.15	8.08	3.44	2.95	2.19	0.14	2.21

5.PACKAGE


ITEM	W	P1	P0	A0	B0	KO	D	F	T	D1
Standard (mm)	44.00±0.3	32±0.1	4±0.1	21.6±0.1	22.8±0.1	7.50±0.1	1.5±0.05	1.75±0.1	0.5±0.05	330±1.0

- 1: Black carrier tape heating packing, the number of 200pcs per volume, 160mm before and 100mm after the carrier length space.
- 2: sealing membrane on the left 400mm after taping is complete, then wrap a pvc protected.
- 3: one volume wheel or snap volume wheel (snap rolls are subject to hot melt adhesives at the buckle).
- 4: sealing membrane Peel strength requirements:30--120g.
- 5: 2 volume 1pvc bag 400pcs into into 1 carton.

6.IR Profile


X-ON Electronics

Largest Supplier of Electrical and Electronic Components

Click to view similar products for [Fixed Inductors](#) category:

Click to view products by [Sunltech](#) manufacturer:

Other Similar products are found below :

[CR32NP-100KC](#) [70F224AI](#) [MHQ1005P10NJ](#) [MHQ1005P1N0S](#) [MHQ1005P2N4S](#) [MHQ1005P3N6S](#) [MHQ1005P5N1S](#) [MHQ1005P8N2J](#)
[PE-53601NL](#) [PE-53602NL](#) [PG0936.113NLT](#) [9220-20](#) [9310-16](#) [PM06-2N7](#) [PM06-39NJ](#) [A01TK](#) [1206CS-471XJ](#) [HC2-R47-R](#) [HC8-1R2-R](#)
[HCF1305-3R3-R](#) [1206CS-151XG](#) [RCH664NP-4R7M](#) [RCP1317NP-391L](#) [DH2280-4R7M](#) [DS1608C-106](#) [B10TJ](#) [B82498B3101J000](#) [ELJ-](#)
[RE27NJF2](#) [1812CS-153XJ](#) [1812CS-183XJ](#) [1812CS-223XJ](#) [1812LS-104XJ](#) [1812LS-105XJ](#) [1812LS-124XJ](#) [1812LS-154XJ](#) [1812LS-223XJ](#)
[1812LS-224XJ](#) [1812LS-563XJ](#) [1812LS-683XJ](#) [1812LS-824XJ](#) [NIN-FB101JTR110F](#) [NIN-FB471JTR62F](#) [NIN-FC1R5JTR220F](#) [NIN-](#)
[HCR15JTRF](#) [NIN-HCR33JTRF](#) [NIN-HDR22JTRF](#) [NIN-HDR82JTRF](#) [NIN-HK2N7STRF](#) [NIN-PA150KTR370F](#) [NIN-PB100KTR550F](#)