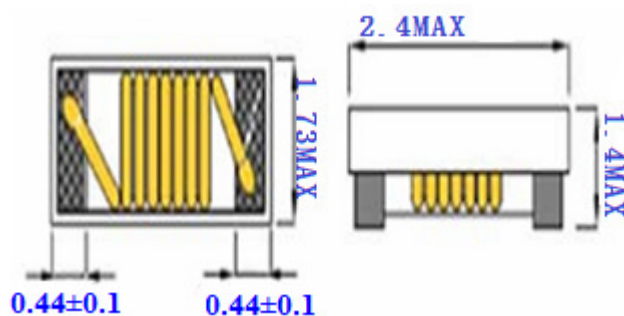
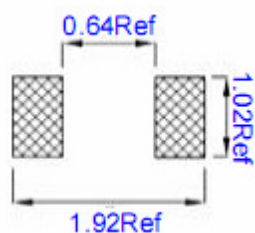


**SHAPE & DIMENSION (UNIT:mm)**

**PAD LAYOUT(MM):**

**ELECTRICAL SPECIFICATION**

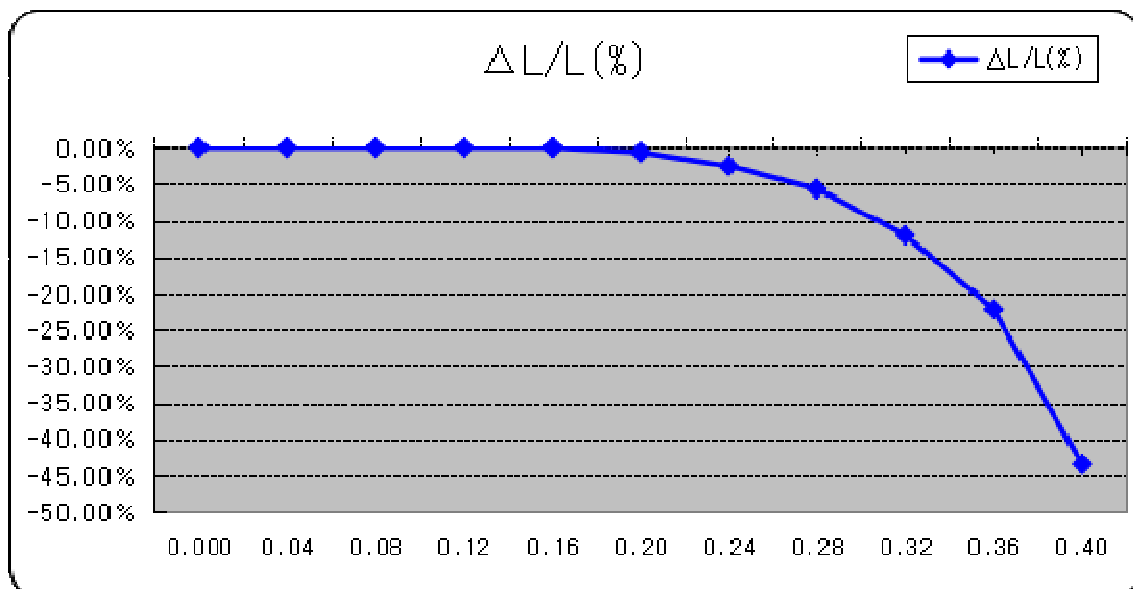
MEAS. ITEM	SPEC.				TEST FREQ.	CONDITIONS
<b>L</b>	<b>15</b>	<b>μH</b>	<b>±</b>	<b>10%</b>	<b>2.5MHz/0.1V</b>	<b>Ta=25°C , I<sub>dc</sub>=0A</b>
<b>DCR</b>	<b>1.4</b>	<b>Ω</b>	<b>±</b>	<b>30%</b>		<b>Ta=25°C</b>
<b>I<sub>sat</sub></b>	<b>0.3A<sub>MAX</sub>(0.34A<sub>TYP</sub>)</b>				<b>2.5MHz/0.1V</b>	<b>ΔL/L ≤ 30%</b>
<b>I<sub>rms</sub></b>	<b>0.38A<sub>MAX</sub>(0.48A<sub>TYP</sub>)</b>				<b>2.5MHz/0.1V</b>	<b>ΔT ≤ 40°C</b>

**GENERAL SPECIFICATION**

Electrical specifications :	at 25°C
Operation Temperature:	-40~+125°C
Storage Temperature:	-40~+125°C
(1)WIRE TYPE: $\varnothing$ 0.05mm	
(2)WINDING:50.5Ts(Ref.)	

**Isat(飽和電流):電感瞬間的突波電流**

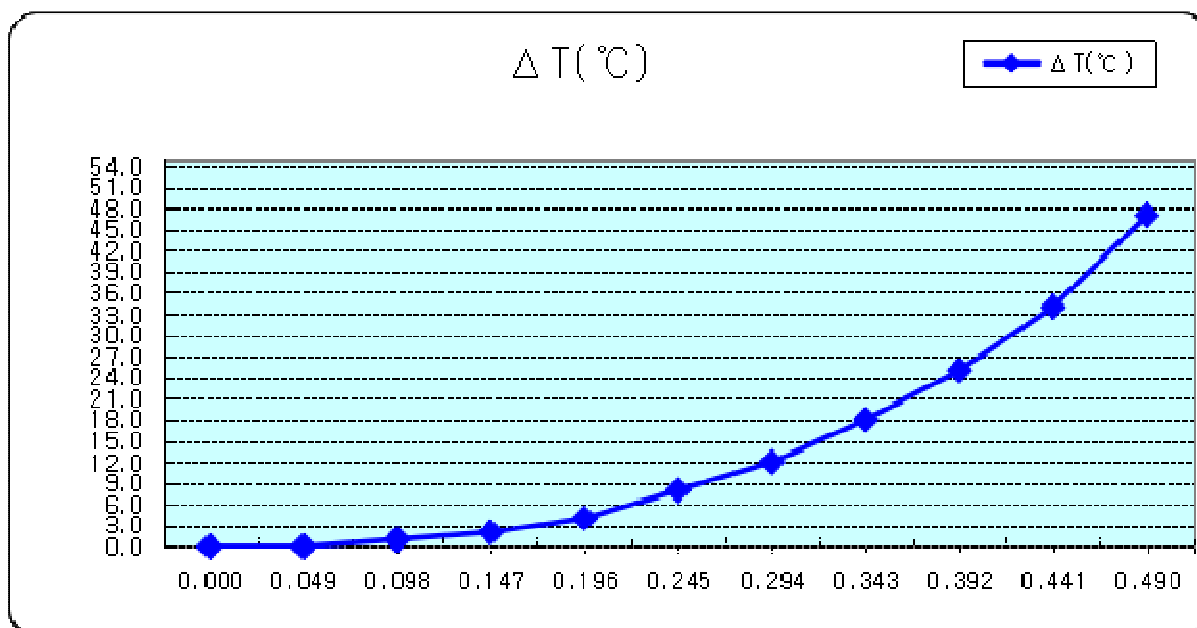
TME(秒)	Lsat(A)	L(UH)	$\Delta L/L(\%)$
1	0.000	15.80	0.00%
1	0.04	15.80	0.00%
1	0.08	15.80	0.00%
1	0.12	15.80	0.00%
1	0.16	15.80	0.00%
1	0.20	15.70	-0.63%
1	0.24	15.40	-2.53%
1	0.28	14.90	-5.70%
1	0.32	13.90	-12.03%
1	0.36	12.30	-22.15%
1	0.40	8.94	-43.42%



**單點溫昇**

TIME(S)	Irms(A)	L(uH)	$\Delta L/L(\%)$	Temp( $^{\circ}\text{C}$ )	$\Delta T(^{\circ}\text{C})$
30	0.000	15.60	0.00%	30.0	0.0
30	0.049	15.60	0.00%	30.0	0.0
30	0.098	15.60	0.00%	31.0	1.0
30	0.147	15.50	-0.64%	32.0	2.0
30	0.196	15.30	-1.92%	34.0	4.0
30	0.245	14.90	-4.49%	38.0	8.0
30	0.294	14.20	-8.97%	42.0	12.0
30	0.343	12.50	-19.87%	48.0	18.0
30	0.392	8.76	-43.85%	55.0	25.0
30	0.441	4.26	-72.69%	64.0	34.0
30	0.490	2.86	-81.67%	77.0	47.0

※DC bias current characteristics in the ambient temperature 25 $^{\circ}\text{C}$  Frequency 2.5MHz/0.1V



**TEST DATA FOR PREPRODUCTION SAMPLE**

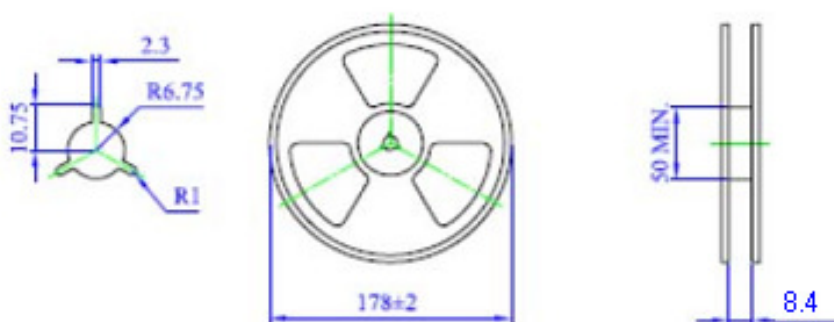
TEST RESOLUTION					DIMENSION (Unit: mm)		
MEAS.	L	D.C.R			长	宽	高
ITEM	μH	Ω			mm	mm	mm
SPEC.	15	1.4			Max.2.4	Max.1.73	1.3±0.1
	±	±					
	10%	30%					
TEST FREQ.	2.5MHz/0.1V		Isat 0.3A	ΔL/L ≤ 30%			
1	15.4	1.57	14.2	-7.8%	2.21	1.44	1.17
2	15.2	1.58	14.1	-7.2%	2.19	1.48	1.16
3	16.0	1.52	14.6	-8.8%	2.15	1.45	1.31
4	15.3	1.52	14.5	-5.2%	2.24	1.64	1.29
5	15.4	1.59	13.9	-9.7%	2.28	1.62	1.24
6	15.7	1.54	14.5	-7.6%			
7	15.8	1.52	13.7	-13.3%			
8	15.2	1.59	14.2	-6.6%			
9	16.2	1.56	14.6	-9.9%			
10	15.4	1.58	14.2	-7.8%			
AVG.	15.560	1.6	14.250	-8.39%			
R	1	0.07	1.60	-4.20%			

PACKAGING

热封包装

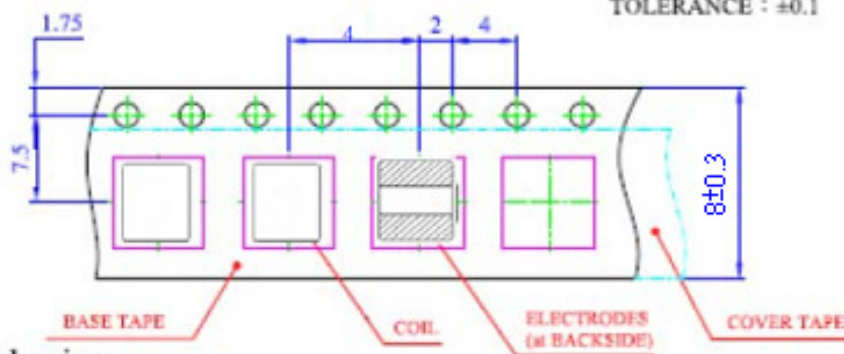
Reel dimensions

UNIT : mm



Tape dimensions

UNIT : mm  
TOLERANCE : ±0.1



Packaging

Quantity : 2000 pcs/reel

## X-ON Electronics

Largest Supplier of Electrical and Electronic Components

*Click to view similar products for [Fixed Inductors](#) category:*

*Click to view products by [Sunltech](#) manufacturer:*

Other Similar products are found below :

[MLZ1608M6R8WTD25](#) [MLZ1608N6R8LT000](#) [MLZ1608N3R3LTD25](#) [MLZ1608N3R3LT000](#) [MLZ1608N150LT000](#)  
[MLZ1608M150WTD25](#) [MLZ1608M3R3WTD25](#) [MLZ1608M3R3WT000](#) [MLZ1608M150WT000](#) [MLZ1608A1R5WT000](#)  
[MLZ1608N1R5LT000](#) [B82432C1333K000](#) [PCMB053T-1R0MS](#) [PCMB053T-1R5MS](#) [PCMB104T-1R5MS](#) [CR32NP-100KC](#) [CR32NP-151KC](#) [CR32NP-180KC](#) [CR32NP-181KC](#) [CR32NP-1R5MC](#) [CR32NP-390KC](#) [CR32NP-3R9MC](#) [CR32NP-680KC](#) [CR32NP-820KC](#)  
[CR32NP-8R2MC](#) [CR43NP-390KC](#) [CR43NP-560KC](#) [CR43NP-680KC](#) [CR54NP-181KC](#) [CR54NP-470LC](#) [CR54NP-820KC](#) [CR54NP-8R5MC](#)  
[MGDQ4-00004-P](#) [MGDU1-00016-P](#) [MHL1ECTTP18NJ](#) [MHL1JCTTD12NJ](#) [PE-51506NL](#) [PE-53601NL](#) [PE-53630NL](#) [PE-53824SNLT](#) [PE-62892NL](#) [PE-92100NL](#) [PG0434.801NLT](#) [PG0936.113NLT](#) [PM06-2N7](#) [PM06-39NJ](#) [HC2LP-R47-R](#) [HC2-R47-R](#) [HC3-2R2-R](#) [HC8-1R2-R](#)