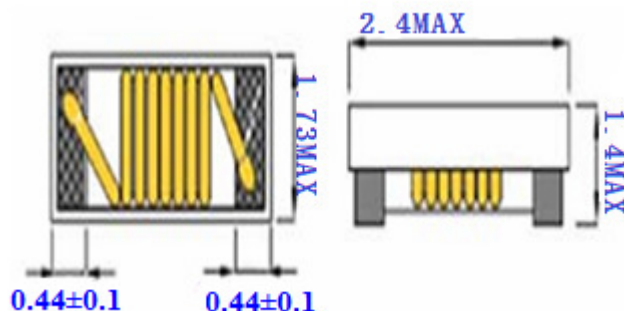
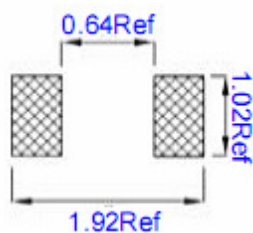


SHAPE & DIMENSION (UNIT:mm)

PAD LAYOUT(MM):

ELECTRICAL SPECIFICATION

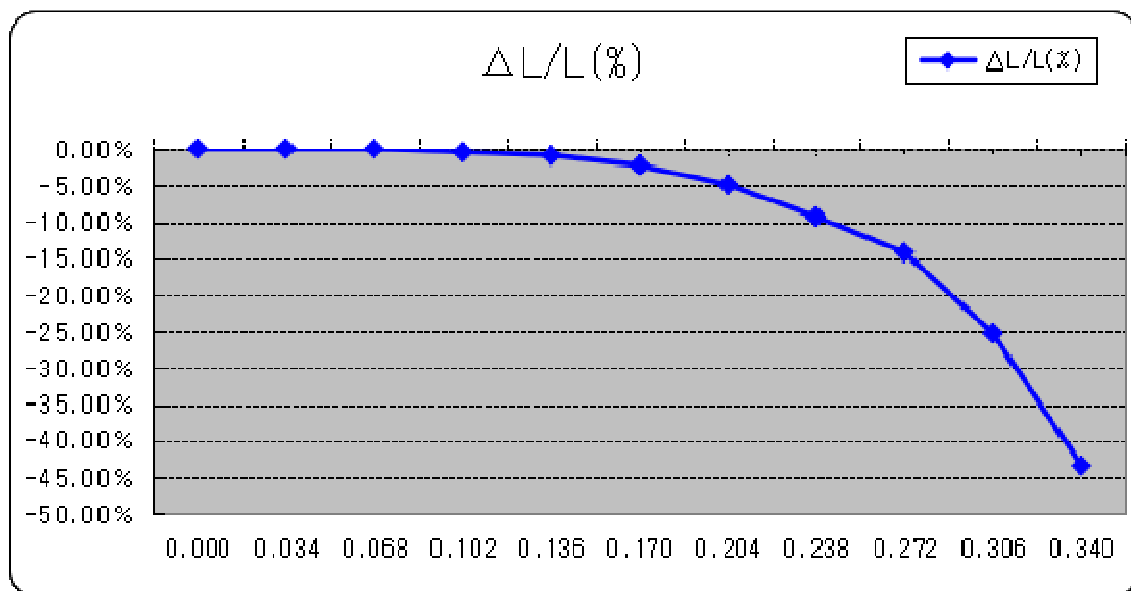
MEAS. ITEM	SPEC.				TEST FREQ.	CONDITIONS
L	22	μH	±	10%	2.5MHz/0.1V	Ta=25°C , I_{dc}=0A
DCR	1.76	Ω	±	30%		Ta=25°C
I_{sat}	0.24A MAX(0.3A TYP)				2.5MHz/0.1V	ΔL/L ≤ 30%
I_{rms}	0.34A MAX(0.45A TYP)				2.5MHz/0.1V	ΔT ≤ 40°C

GENERAL SPECIFICATION

Electrical specifications :	at 25°C
Operation Temperature:	-40~+125°C
Storage Temperature:	-40~+125°C
(1)WIRE TYPE: \varnothing 0.05mm	
(2)WINDING: 61.5Ts(Ref.)	

Isat(飽和電流):電感瞬間的突波電流

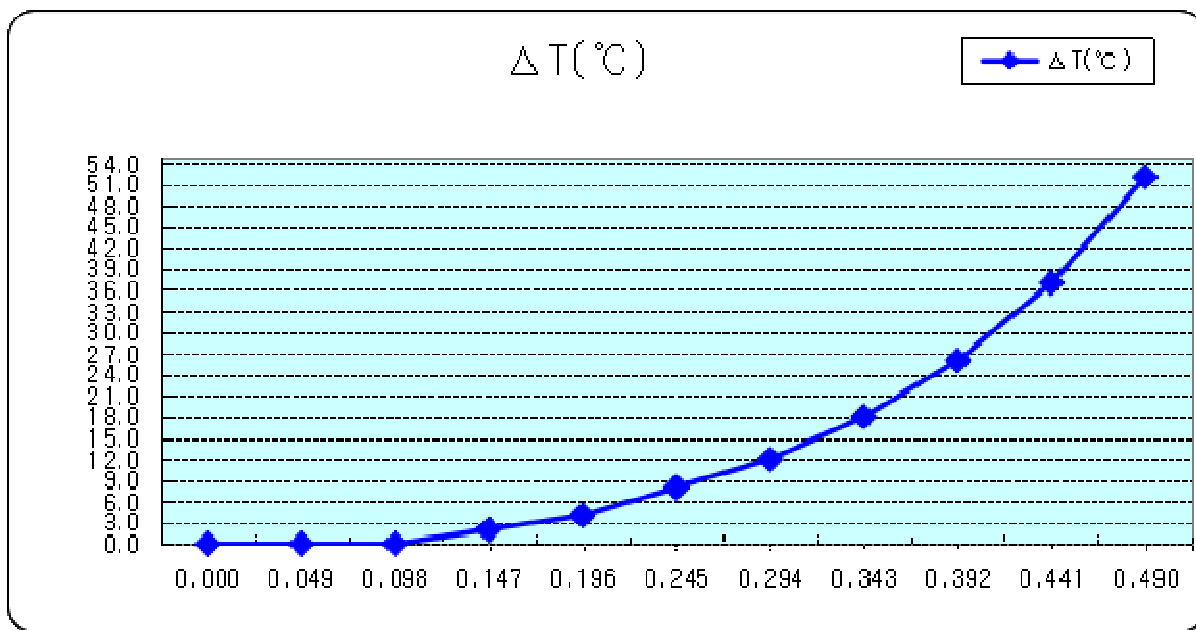
TME(秒)	Lsat(A)	L(UH)	$\Delta L/L(\%)$
1	0.000	22.60	0.00%
1	0.034	22.60	0.00%
1	0.068	22.60	0.00%
1	0.102	22.50	-0.44%
1	0.136	22.40	-0.88%
1	0.170	22.10	-2.21%
1	0.204	21.50	-4.87%
1	0.238	20.50	-9.29%
1	0.272	19.40	-14.16%
1	0.306	16.90	-25.22%
1	0.340	12.80	-43.36%



單點溫昇

TIME(S)	Irms(A)	L(uH)	$\Delta L/L(\%)$	Temp($^{\circ}\text{C}$)	$\Delta T(^{\circ}\text{C})$
30	0.000	22.80	0.00%	31.0	0.0
30	0.049	22.60	-0.88%	31.0	0.0
30	0.098	22.30	-2.19%	31.0	0.0
30	0.147	21.90	-3.95%	33.0	2.0
30	0.196	21.50	-5.70%	35.0	4.0
30	0.245	19.80	-13.16%	39.0	8.0
30	0.294	15.70	-31.14%	43.0	12.0
30	0.343	9.05	-60.31%	49.0	18.0
30	0.392	4.96	-78.25%	57.0	26.0
30	0.441	3.54	-84.47%	68.0	37.0
30	0.490	3.13	-86.27%	83.0	52.0

※DC bias current characteristics in the ambient temperature 25 $^{\circ}\text{C}$ Frequency 2.5MHz/0.1V



TEST DATA FOR PREPRODUCTION SAMPLE

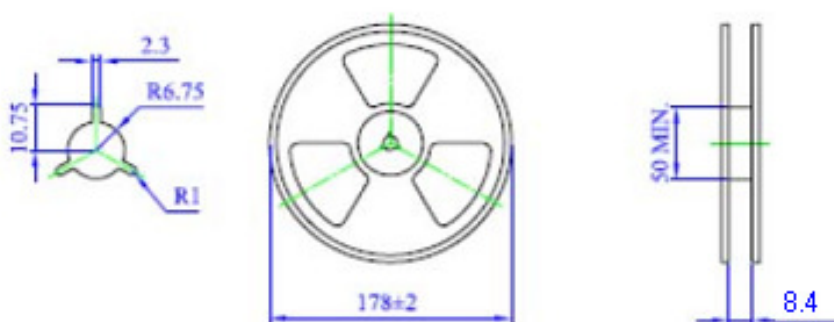
TEST RESOLUTION					DIMENSION (Unit: mm)		
MEAS.	L	D.C.R			长	宽	高
ITEM	μH	Ω			mm	mm	mm
SPEC.	22	1.76			Max.2.4	Max.1.73	1.3±0.1
	±	±					
	10%	30%					
TEST FREQ.	2.5MHz/0.1V		Isat 0.24A	ΔL/L ≤ 30%			
1	22.6	1.98	20.5	-9.3%	2.22	1.63	1.28
2	23.2	1.98	21.2	-8.6%	2.23	1.69	1.29
3	22.9	1.98	20.5	-10.5%	2.27	1.68	1.31
4	22.8	1.97	20.3	-11.0%	2.24	1.64	1.29
5	23.3	1.98	21.5	-7.7%	2.28	1.62	1.24
6	22.8	1.98	21.0	-7.9%			
7	22.7	2.00	20.5	-9.7%			
8	22.6	1.99	20.3	-10.2%			
9	21.8	1.98	20.0	-8.3%			
10	22.0	2.00	20.3	-7.7%			
AVG.	22.670	2.0	20.610	-9.08%			
R	1.5	0.03	1.60	-4.20%			

PACKAGING

热封包装

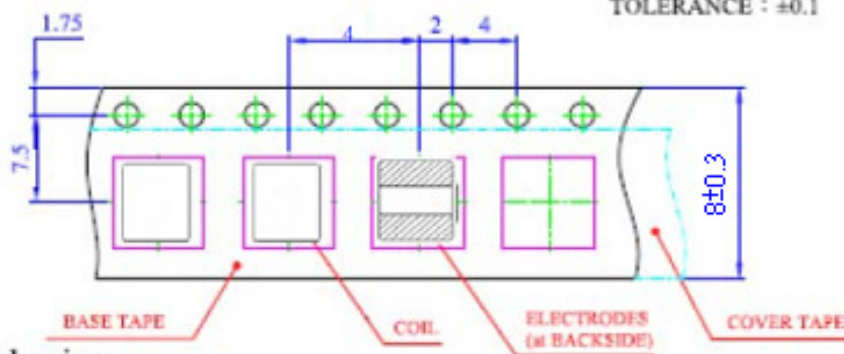
Reel dimensions

UNIT : mm



Tape dimensions

UNIT : mm
TOLERANCE : ±0.1



Packaging

Quantity : 2000 pcs/reel

X-ON Electronics

Largest Supplier of Electrical and Electronic Components

Click to view similar products for [Fixed Inductors](#) category:

Click to view products by [Sunltech](#) manufacturer:

Other Similar products are found below :

[MLZ1608M6R8WTD25](#) [MLZ1608N6R8LT000](#) [MLZ1608N3R3LTD25](#) [MLZ1608N3R3LT000](#) [MLZ1608N150LT000](#)
[MLZ1608M150WTD25](#) [MLZ1608M3R3WTD25](#) [MLZ1608M3R3WT000](#) [MLZ1608M150WT000](#) [MLZ1608A1R5WT000](#)
[MLZ1608N1R5LT000](#) [B82432C1333K000](#) [PCMB053T-1R0MS](#) [PCMB053T-1R5MS](#) [PCMB104T-1R5MS](#) [CR32NP-100KC](#) [CR32NP-151KC](#) [CR32NP-180KC](#) [CR32NP-181KC](#) [CR32NP-1R5MC](#) [CR32NP-390KC](#) [CR32NP-3R9MC](#) [CR32NP-680KC](#) [CR32NP-820KC](#)
[CR32NP-8R2MC](#) [CR43NP-390KC](#) [CR43NP-560KC](#) [CR43NP-680KC](#) [CR54NP-181KC](#) [CR54NP-470LC](#) [CR54NP-820KC](#) [CR54NP-8R5MC](#)
[MGDQ4-00004-P](#) [MGDU1-00016-P](#) [MHL1ECTTP18NJ](#) [MHL1JCTTD12NJ](#) [PE-51506NL](#) [PE-53601NL](#) [PE-53630NL](#) [PE-53824SNLT](#) [PE-62892NL](#) [PE-92100NL](#) [PG0434.801NLT](#) [PG0936.113NLT](#) [PM06-2N7](#) [PM06-39NJ](#) [HC2LP-R47-R](#) [HC2-R47-R](#) [HC3-2R2-R](#) [HC8-1R2-R](#)