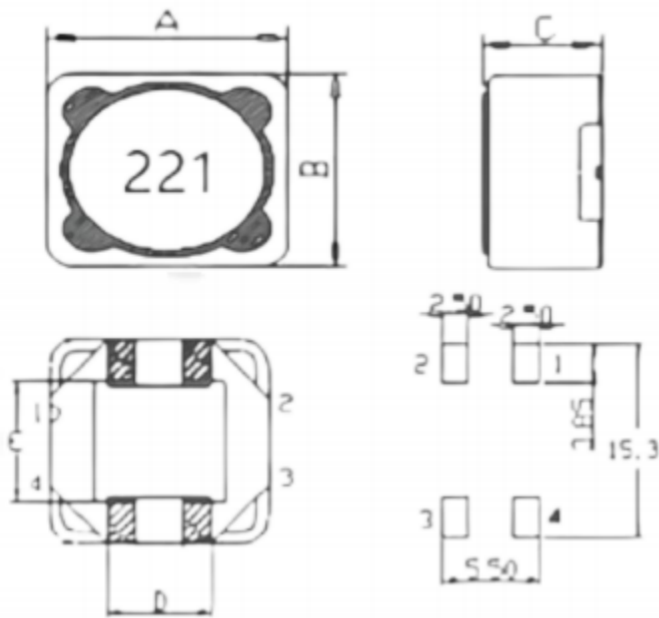


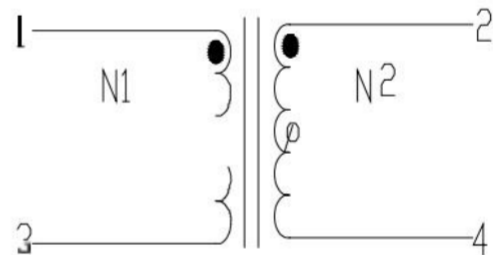
Shielded Coupled Inductor

◆ DIMENSIONS:mm



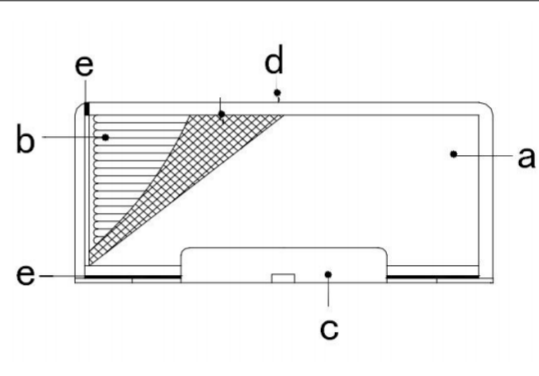
A	15.0±0.5
B	15.0±0.5
C	8.6 Max
D	5.6±0.2
E	8.4±0.2

SCHEMATIC:



◆ MATERIALS CONFIGURATION:

NO.	DESCRIPTION
a.	CORE
b.	WIRE
c.	BASE
d.	INKING
e.	EPOXY



◆ GENERAL SPECIFICATION:

1. Tested at 100KHz, 0.25Vrms, 0 Adc.
2. DC current at which the inductance drops 35% from its value without current.
3. Average current for 40°C temperature rise from 20°C.
4. Electrical specifications at: 20°C
5. Storage temp range: -40°C ---- +125°C
6. Operating temp range: -40°C ---- +85°C

◆ ELECTRICAL CHARACTER:

Meas Item	L(1-3)	DCR(1-3)	IDC(1-3)	L(2-4)	DCR(2-4)	IDC(2-4)
Spec	220±20%	460max	$\Delta L/L \leq 65\%$ @I=0.92A	220±20%	460max	$\Delta L/L \leq 65\%$ @I=0.92A
Unit	uH	mΩ	uH	uH	mΩ	uH
Test condition	100KHz/0.25V at 20		100KHz/0.25V	100KHz/0.25V at 20		100KHz/0.25V
1	219.70	398.50	210.70	213.30	401.20	201.30
2	214.20	397.20	203.56	211.40	400.60	200.70
3	210.50	399.10	200.20	215.60	398.70	206.40
4	217.50	396.90	207.10	213.10	398.20	201.40
5	216.90	398.60	206.50	213.90	397.20	200.80
6						
7						
AVERAGE	215.76	398.06	205.61	213.46	399.18	202.12
MAX	219.70	399.10	210.70	215.60	401.20	206.40
MIN	210.50	396.90	200.20	211.40	397.20	200.70
R	9.20	2.20	10.50	4.20	4.00	5.70

TEST INSTRUMENT:

*HP4284A&HP4285A METER LCD&DCR&Q&IDC&SRF.

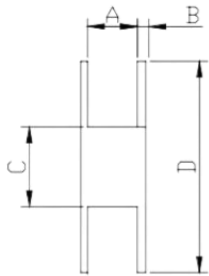
*CH502BC METER DCR.

*VR126G/7220 METER IDC.

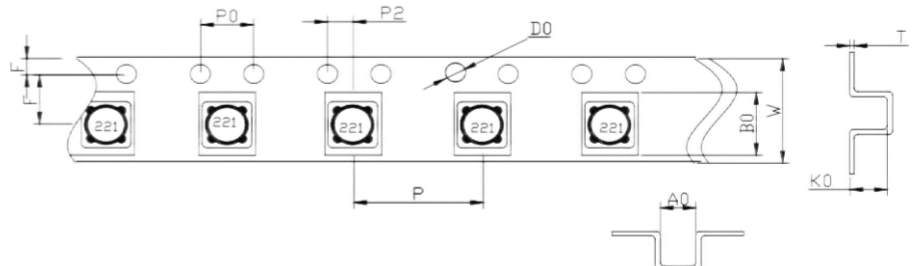
◆ DIMENSIONS CHARACTER:

Meas Item	MECHANICAL DIMENSIONS						
	A(m/m)	B(m/m)	C(m/m)	D(m/m)	E(m/m)		
Spec	15.0	15.0	8.6	5.6	8.4		
Tolerance	±	±	max	±	±		
	0.5	0.5		0.2	0.2		
1	14.84	14.90	7.45	4.90	8.46		
2	14.87	14.85	7.38	4.89	8.43		
3	14.98	14.85	7.43	4.90	8.42		
4	14.95	14.87	7.50	4.91	8.46		
5	14.87	14.85	7.42	4.90	8.45		
6							
7							
8							
9							
10							
AVERAGE	14.90	14.86	7.44	4.90	8.44		
MAX	14.98	14.90	7.50	4.91	8.46		
MIN	14.84	14.85	7.38	4.89	8.42		
R	0.14	0.05	0.12	0.02	0.04		

REMARK:

◆ PACKING INFORMATION:
1.Reel Dimension & Tape Dimension


STYLE	A (mm)	B (mm)	C (mm)	D (mm)
13*24	24.5	2.5	100	330



STYLE	W	E	F	P	P0	P2	D0
24mm	24.0±0.3	1.75±0.1	11.5±0.1	16.0±0.1	4.0±0.1	2.0±0.15	1.5±0.1
	A0	B0	K0				
	15.25±0.1	15.2±0.15	9.1±0.1				

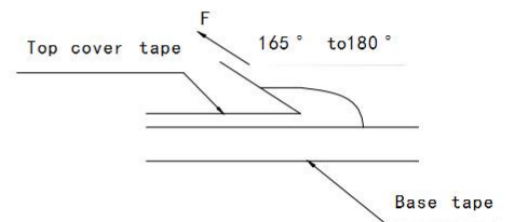
2.Packaging Quantity

SERIES	1 REEL	INNER CARTON			OUTER CARTON		
	Q TY(PCS)	REEL	Q TY (PCS)	SIZE(mm)	REEL	Q TY (PCS)	SIZE(mm)
SLH1507C221MTT	250	2	500	345*340*70	4	1000	360*350*156

3.Tearing off Force

The force for tering off cover tape is 5 to 120 grams in the arrow direction under the following conditions.

Room Temp (°C)	Room Humidity (%)	Room aim (hpa)	Room Speed (mm/min)
5-35	45-85	860-1060	300


Application Notice
Storage Conditions

To maintain the solderability of terminal electrodes:

- 1、 Temperature and humidity conditions:Less than 40°C and 70% RH.
- 2、 Recommended products should be used within 6 months from the time of delivery.
- 3、 The packaging material should be kept where no chlorine or sulfur exists in the air.

Transportation

- 1、 Products should be handled with care to avoid damage or contamination from perspiration and skin oils.
- 2、 The use of tweezers or vacuum pick ups is strongly recommended for individual components.
- 3、 Bulk handling should ensure that abrasion and mechanical shock are minimized.

X-ON Electronics

Largest Supplier of Electrical and Electronic Components

Click to view similar products for [Common Mode Chokes / Filters](#) category:

Click to view products by [Sunltech](#) manufacturer:

Other Similar products are found below :

[PE-64683](#) [RD5122-6-9M6](#) [RD6137-6-7M5](#) [RD8147-16-3M0](#) [ST6118T-R](#) [FE3X025-10-7NL](#) [RD7147-25-0M7](#) [TCM0806G-350-2P-T](#)
[TCM0806G-650-2P-T](#) [IND-0110](#) [UAL21VR0802000](#) [UALSC023000000](#) [UALSC1020JH000](#) [UALSU10VD20010](#) [UALSU9VD070100](#) [36-00037](#) [UALW21HS072450](#) [UALSU9H0208000](#) [UAL24VK06450CH](#) [PLT10HH501100PNB](#) [PLT10HH401100PNB](#) [PLT10HH1026R0PNB](#)
[36-00029-01](#) [PE-67531](#) [TLH10UB](#) [113 0R5](#) [2752045447](#) [7351V](#) [CMF16-153131](#) [RD7147-6-6M0](#) [T8116NLT](#) [FE2X10-4-2NL](#) [36-00029-07](#)
[T8003NLT](#) [CTX01-13663](#) [CTX66-19521-R](#) [RC212-0.5-10M](#) [RC112-0.4-15M](#) [RC212-0.6-6M8](#) [RC212-0.4-15M](#) [RC112-0.3-30M](#)
[WTCF2012Z0M751PB](#) [PH9408.814NLT](#) [PAC6006.364NLT](#) [PAC6006.444NLT](#) [PAC6006.204NLT](#) [PH9407.204NLT](#) [PAC6006.264NLT](#)
[PH9408.105NLT](#) [PH9408.494NLT](#) [PAC6006.104NLT](#)