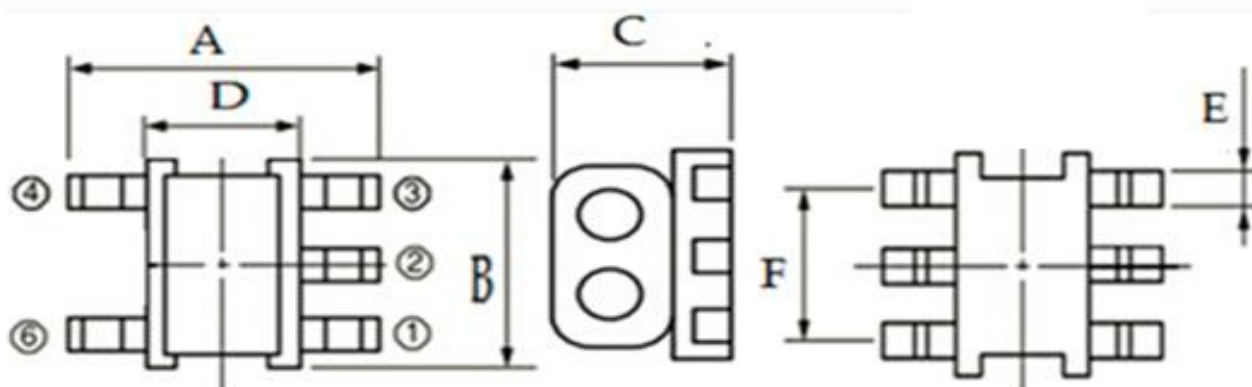


RF Balun Transformer, 4:1CT Flux Coupled Transformer
Features::

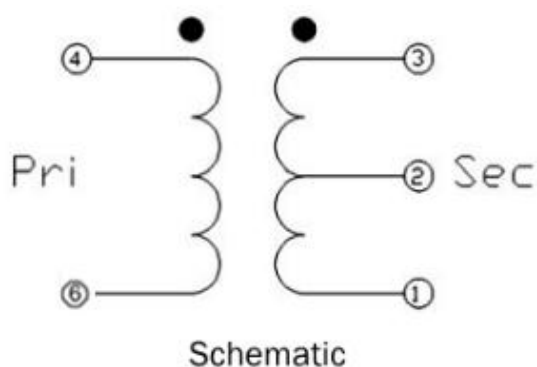
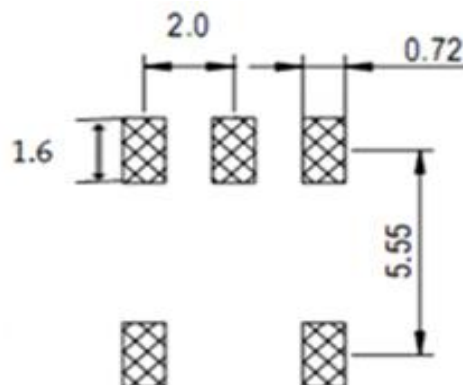
- ◆ 4:1CT Impedance
- ◆ 75 Ω Characteristic Impedance
- ◆ Frequency: 5 to 200 MHz
- ◆ RF power: 1.0W
- ◆ DC current: 500mA
- ◆ Operating temperature range: -40 °C to +85 °C
- ◆ Storage temperature range: -55 °C to +100 °C

Applications:

- ◆ For broadband and wireless communications
- ◆ For VHF/UHF receivers/transmitters and push-pull amplifiers

Dimension Diagram (Unit:mm) :


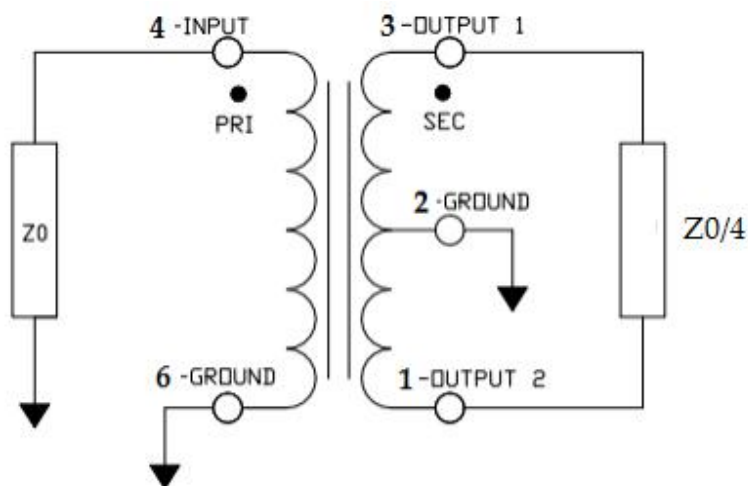
$$A=6.30\pm 0.20 \quad B=6.10\pm 0.20 \quad C=4.50\pm 0.20 \quad D=4.00\pm 0.20 \quad E=0.60\pm 0.05 \quad F=4.00\pm 0.10$$

Electrical structure:

Recommended layout:


Pin configuration

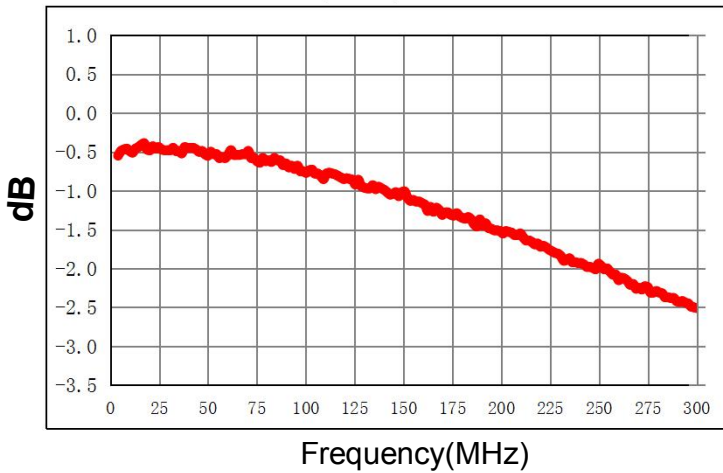
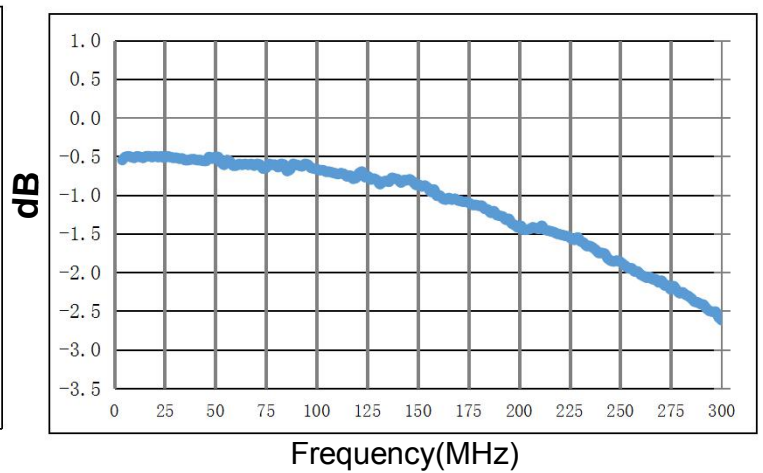
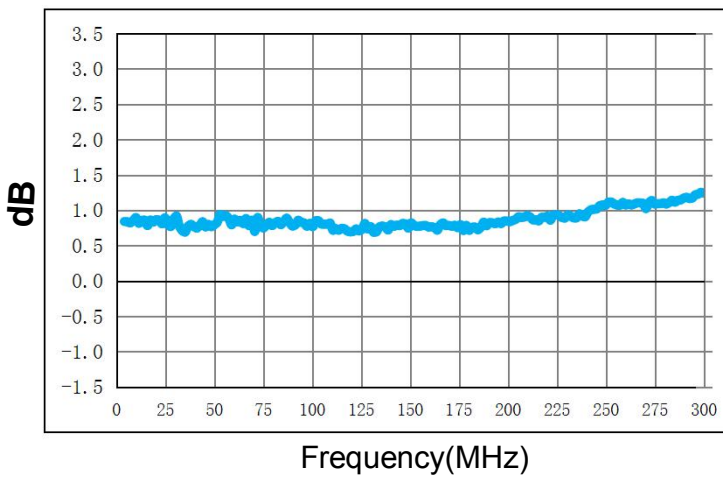
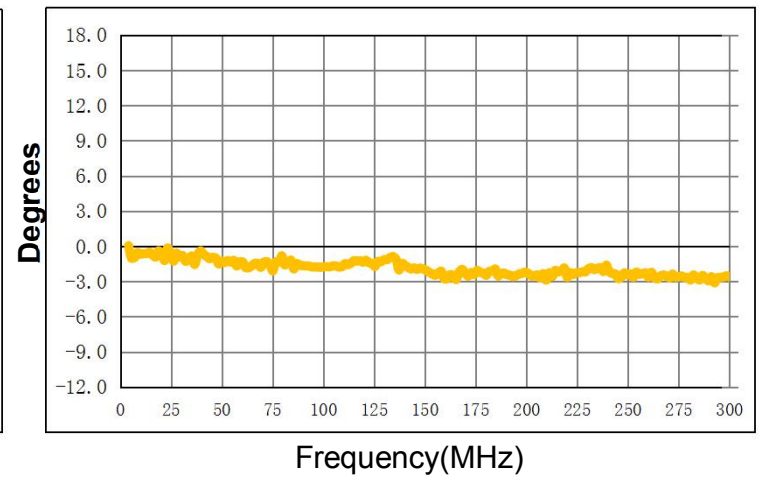
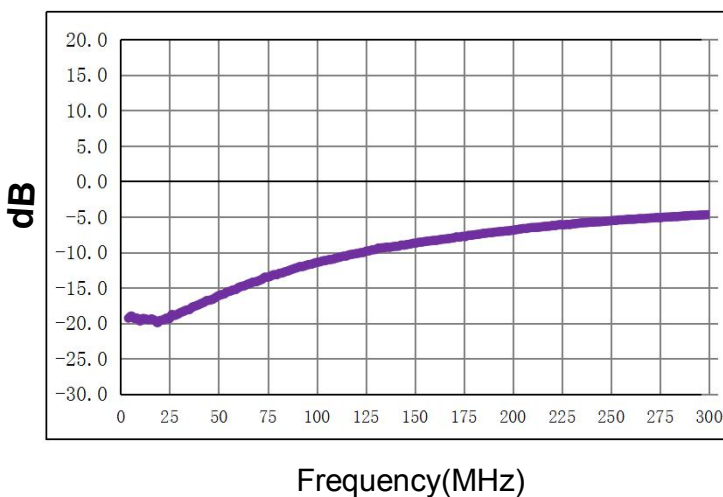
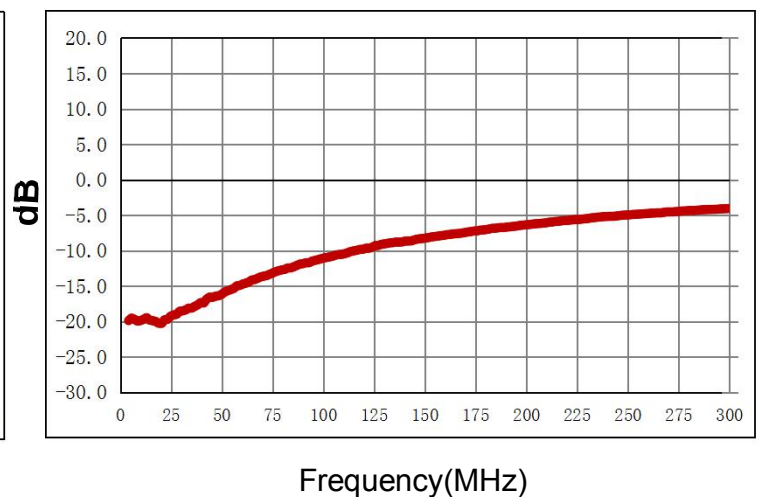
Pin no.	Function
1	Secondary (Output 2)
2	Centre tap (Ground)
3	Secondary dot (Output 1)
4	Primary dot (Input)
6	Primary (Ground)

Application circuit :



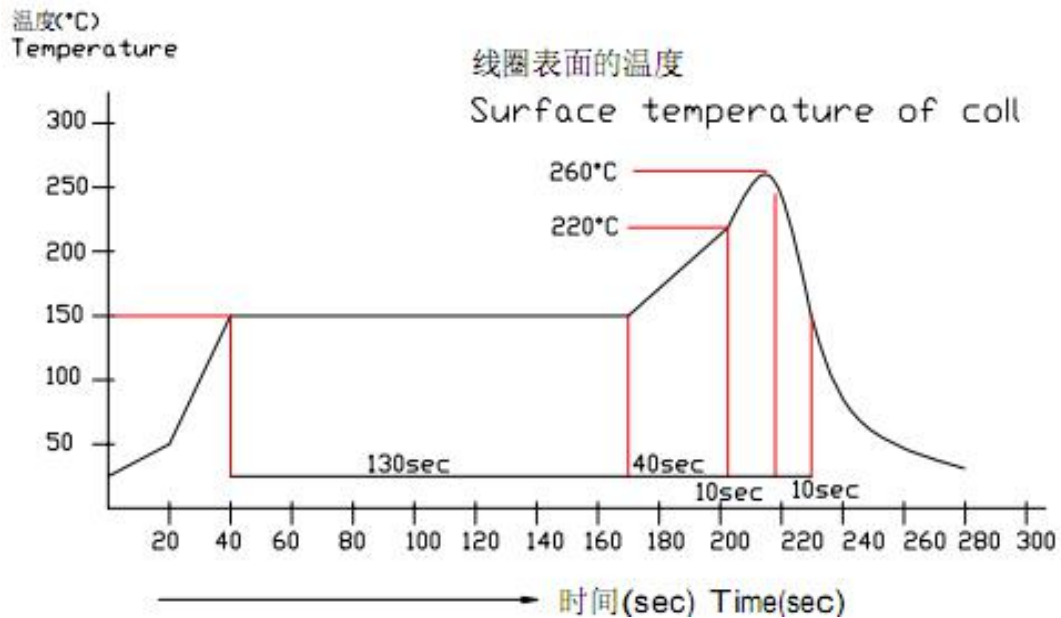
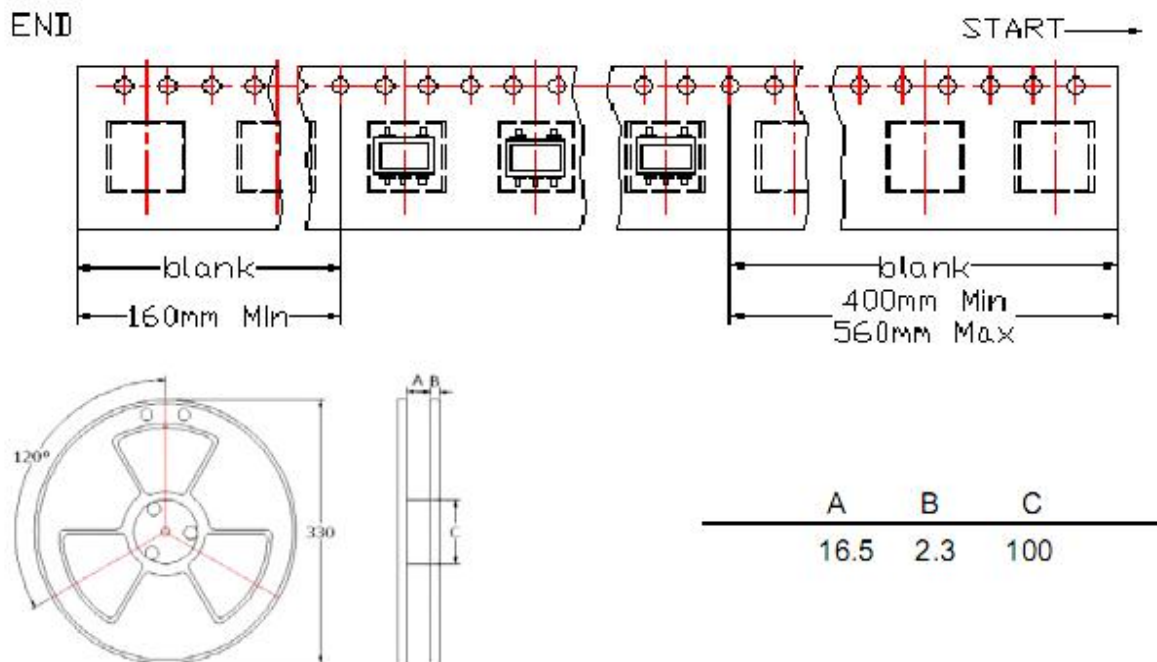
Electrical Specifications: $T_A = 25^\circ\text{C}$ $Z_0 = 75\Omega$

Parameter	Test Conditions	Units	Min	Typ	Max
Main line Loss(out1)	5-200MHz	dB	—	0.5	3.0
Main line Loss(out2)	5-200MHz	dB	—	0.5	3.0
Amplitude Balance	5-200MHz	dB	—	0.6	1.2
Phase Balance	5-200MHz	Degrees	—	1.2	± 6.0
Input Return Loss	5-200MHz	dB	3.0	10.0	—

Main line Loss(out1)

Main line Loss(out2)

Amplitude Balance

Phase Balance

Input Return Loss

Sdd22


Recommended Soldering Temperature Graph:

建议迴焊条件
The condition of reflow
(Recommendation)


Packging Dimension For Caeer Tape(UNIT:mm):

QUANTITY

1,000PCS/Reel

3Reels/Middle Carton

5 Middle Cartons/Big Carton/15,000pcs

X-ON Electronics

Largest Supplier of Electrical and Electronic Components

Click to view similar products for [Signal Conditioning](#) category:

Click to view products by [Sunltech](#) manufacturer:

Other Similar products are found below :

[PD0409J5050S2HF](#) [HHS-109-PIN](#) [AFS14A35-1591.50-T3](#) [JP510S](#) [LFB322G45SN1A504](#) [SF2159E](#) [FM-104-PIN](#) [CER0813B](#)

[MAPDCC0005](#) [3A325](#) [BD0810N50100AHF](#) [DC0710J5005AHF](#) [DC2327J5005AHF](#) [LFL15869MTC1B787](#) [X3C19F1-20S](#)

[CDBLB455KCAX39-B0](#) [RF1353C](#) [051157-0000](#) [PD0922J5050D2HF](#) [600S150FTRB](#) [1E1305-3](#) [1F1304-3S](#) [TP-103-PIN](#)

[BD1222J50200AHF](#) [BD1722J50100AHF](#) [2450DP39K5400E](#) [BD0810J50150AHF](#) [BD1722J50200AHF](#) [DS-327-PIN](#) [MACP-008125-](#)

[CK07F0](#) [DS-329-PIN](#) [DS-313-PIN](#) [TP-104-PIN](#) [TP-101-PIN](#) [HH-128-PIN](#) [8594810000](#) [T-1000-N](#) [JP506S](#) [XC0900P-10S](#) [XC0900B-30S](#)

[CHE1260-QAG](#) [11305-10](#) [5962-9091202MXA](#) [3A412S](#) [X3C06A4-03S](#) [B39000Z3410A4](#) [DSS-333-PIN](#) [PD2425J5050S2HF](#)

[B39242B4360P810](#) [B39781B8005P810](#)