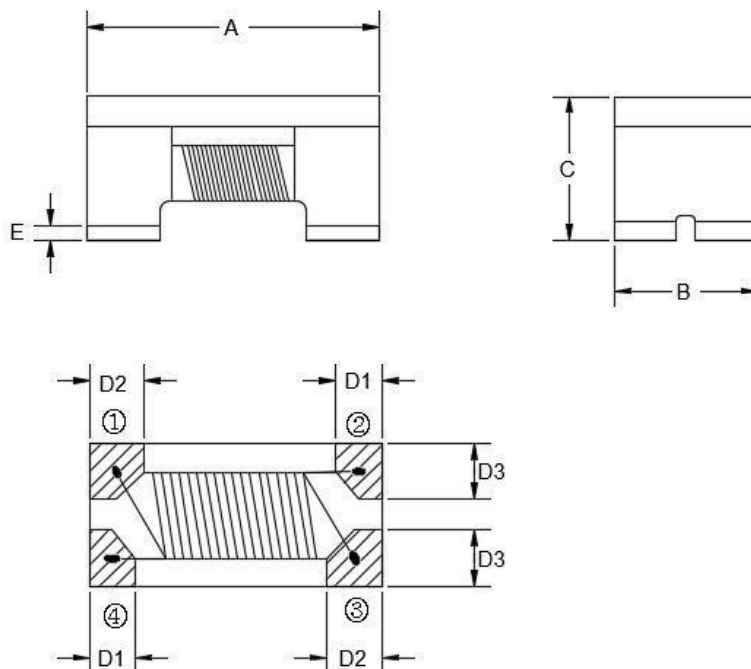


1、 Features

- A.、 High common mode impedance at high frequency cause excellent noise suppression performance.
- B.、 SMW3216Cseries realizes small size and low profile. 3.6*1.2*2.0 mm.
- C.、 100% Lead(Pb) & Halogen-Free and RoHS compliant.

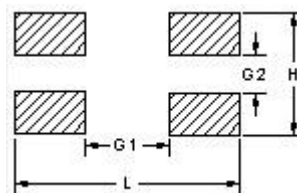
2、 Dimensions



Series	A(mm)	B(mm)	C(mm)	D1(mm)	D2(mm)	D3(mm)	E(mm)
SMW3216C	3.2±0.2	1.6±0.2	2.0±0.2	0.52±0.1	0.62±0.1	0.64±0.1	0.12 Typ.

3、 Recommend Land Pattern Dimensions

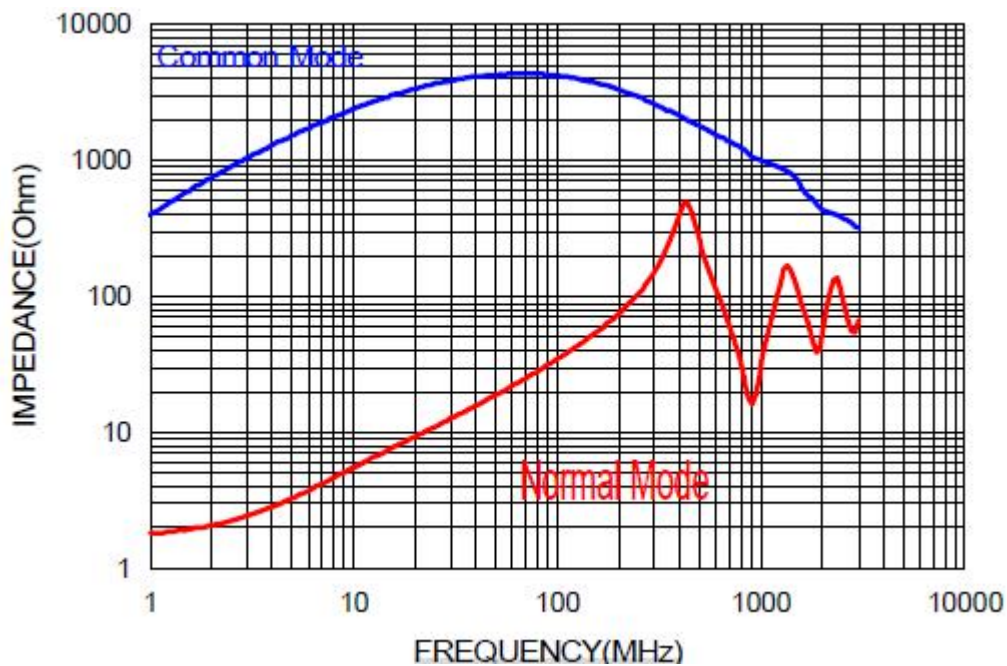
L (mm)	H (mm)	G1(mm)	G2(mm)
3.70	1.70	2.30	0.50



4、 Specification

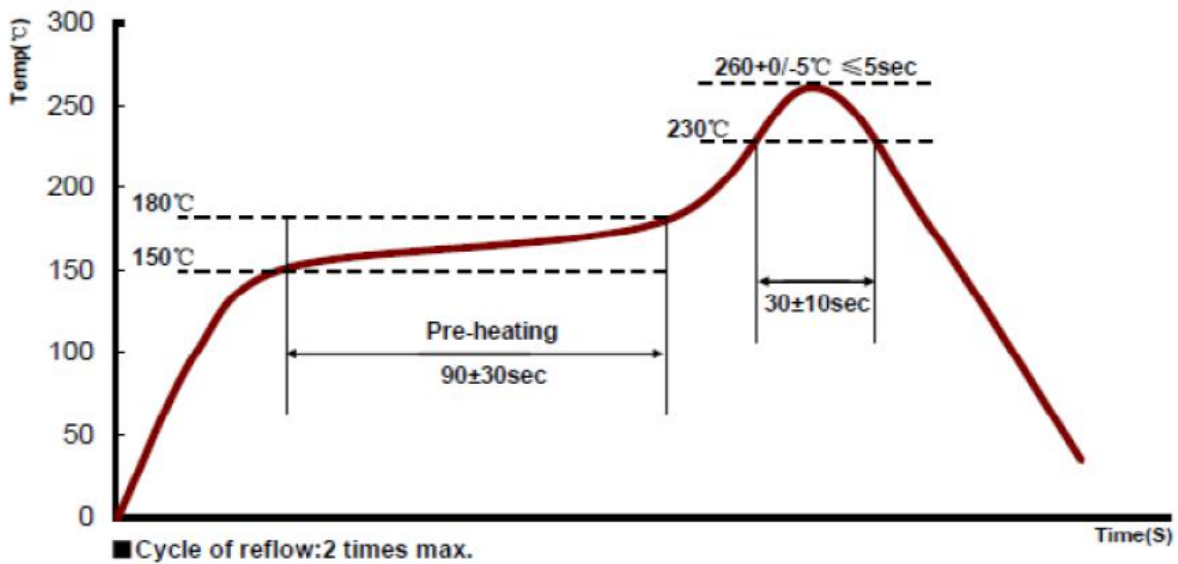
Part Number	Inductance (uH) [100KHz/0.1V] Min.	Capacitance (pF) Max	DC Resistance (Ω) Max.	Reted Current (mA) .	Reted Volt. (Vdc)	Withstand Volt.(Vdc) Max.	IR(Ω) Min.
SMW3216C600ATE	60	13	1.70	200	50	125	10M

5、 Typical Impedance v.s. Frequency Curve

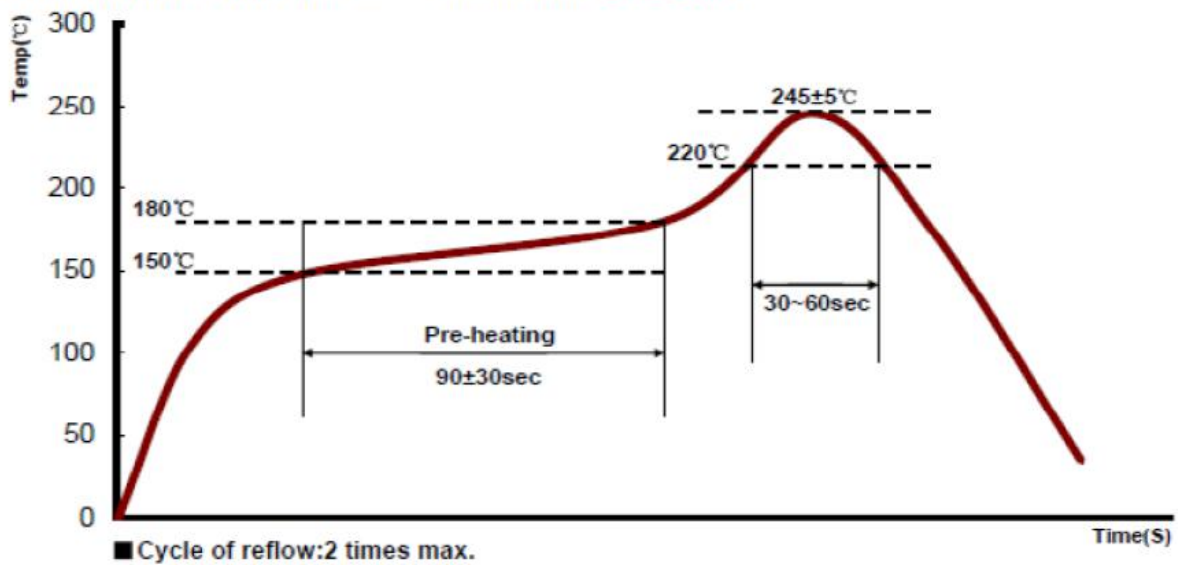


6、Rflow-Profile

Limit Profile



Standard Profile (for EOC Solder paste S70G-HF)

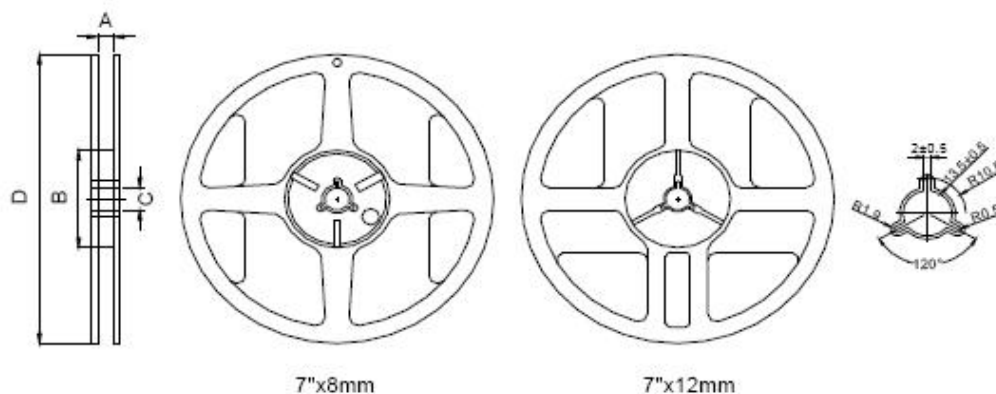


7、Reliability and Test Condition

Item	Performance	Test Condition
Operating temperature	-40~+125°C	
Storage temperature and	-10~+40°C,50~60%RH (Product without taping)	
Electrical Performance Test		
Inductance	Refer to standard electrical characteristics list.	HP4284A,CH11025,CH3302,CH1320,CH1320S
DCR		CH16502,Agilent33420A Micro-Ohm Meter.
Saturation Current (Isat)	△L30% typical.	Saturation DC Current (Isat) will cause L0 to drop △L(%)(keep quickly).
Heat Rated Current (Irms)	Approximately △T≤40°C	Heat Rated Current (Irms) will cause the coil temperature rise △T(°C) without core loss.
Reliability Test		
High Temperature Exposure Test	Electric specifications should be satisfied	Temperature:125±2°C. Duration:1000±12hrs. Measured at room temperature after placing for 2 to 3hrs. (MIL-PRF-27)
Low Temperature Life Test		Temperature:-40±2°C. Duration:500±12hrs. Measured at room temperature after placing for 2 to 3hrs.
Biased Humidity Test		Humidity:85±3%RH. Temperature:85±2°C. Duration:1000±12hrs. Measured at room temperature after placing for 2 to 3hrs (AEC-Q200-REV C)
Thermal shock test		Condition for 1 cycle Step1:-40+0 / -2°C 15±1 min. Step2:Room temperature within ≤0.2min. Step3:+125+2 / -0°C 15±1min. Number of cycles:300 Measured at room temperature after placing for 2 to 3hrs. (AEC-Q200-REV C)
Vibration test		Frequency: 10-2000-10Hz for 20 min. Amplitude: Parts mounted within 2" from any secure point. Directions and times: X, Y, Z directions for 20 min. This cycle shall be performed 12 times in each of three mutually
Reflow test		Pre-heat : 150±5°C Duration : 5 minutes Temperature : 260±5°C · 20~40 seconds (IPC/JEDECJ-STD-020C)
Solder test		Terminals should be covered by over 95% solder on visual inspection

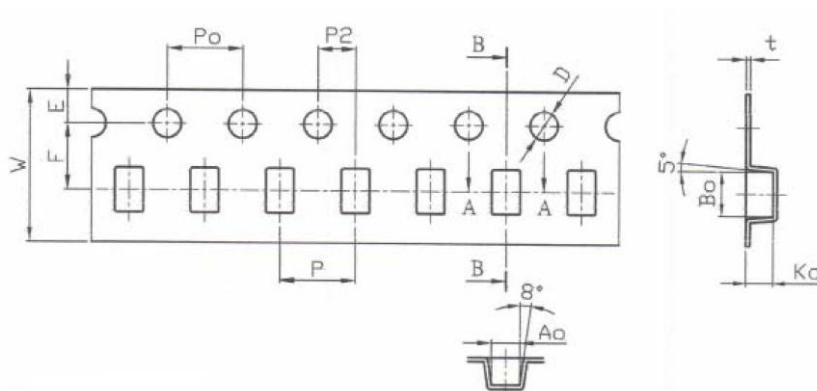
8、Packaging Information

A、Reel Dimension



Type	A(mm)	B(mm)	C(mm)	D(mm)
7"x8mm	9.0±0.5	60±2	13.5±0.5	178±2

B、Tape Dimension / 8mm



Series	P(mm)	Po(mm)	P2(mm)	Bo(mm)	Ao(mm)	Ko(mm)	W(mm)	t(mm)
SMW3216C	4.00±0.10	4.00±0.10	2.00±0.05	3.50±0.10	1.88±0.10	2.20±0.10	8.00±0.10	0.26±0.05

C、Packaging Quantity : 2000 PCS

X-ON Electronics

Largest Supplier of Electrical and Electronic Components

Click to view similar products for [Common Mode Chokes / Filters](#) category:

Click to view products by [Sunltech](#) manufacturer:

Other Similar products are found below :

[PE-64683](#) [RD5122-6-9M6](#) [ST6118T-R](#) [FE3X025-10-7NL](#) [T8114NLT](#) [TCM0806G-350-2P-T](#) [TCM0806G-650-2P-T](#) [IND-0110](#)
[UAL21VR0802000](#) [UALSC023000000](#) [UALSC1020JH000](#) [UALSU10VD20010](#) [UALSU9VD070100](#) [36-00037](#) [CM7060M132R-10](#)
[UALW21HS072450](#) [UALSU9H0208000](#) [UAL24VK06450CH](#) [PLT10HH501100PNB](#) [PLT10HH401100PNB](#) [PLT10HH1026R0PNB](#) [36-](#)
[00029-01](#) [PE-67531](#) [TLH10UB](#) [113 OR5](#) [2752045447](#) [CM8663Z161B-10](#) [7351V](#) [CMF16-153131](#) [T8116NLT](#) [CMS2-10-R](#) [FE2X10-4-2NL](#)
[T8003NLT](#) [CTX01-13663](#) [CTX66-19521-R](#) [RC212-0.5-10M](#) [RC112-0.4-15M](#) [RC212-0.6-6M8](#) [RC212-0.4-15M](#) [RC112-0.3-30M](#) [4534-3](#)
[WTCF2012Z0M751PB](#) [PH9408.814NLT](#) [B82498B3221J000](#) [PAC6006.364NLT](#) [PAC6006.444NLT](#) [PAC6006.204NLT](#) [PH9407.204NLT](#)
[PAC6006.264NLT](#) [PH9408.105NLT](#) [PH9408.494NLT](#)