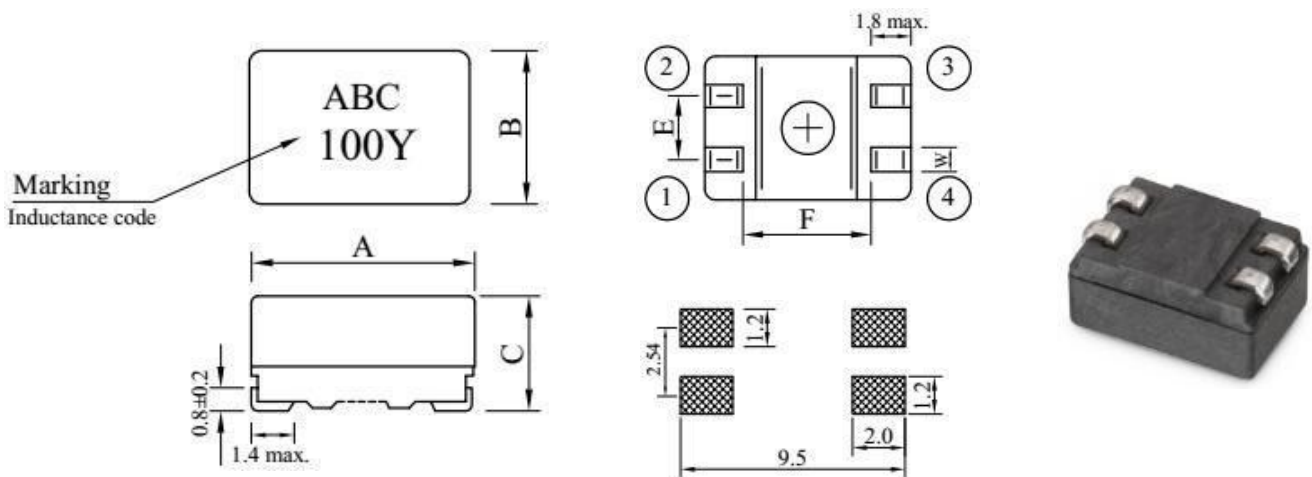
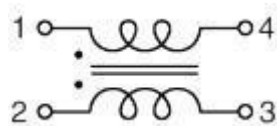


SHAPE & DIMENSION (UNIT:mm)


ITEM	A	B	C	R	F	W
DIM	9.2	6.0	5.0	2.54	5.70	1.0
TOLE	±0.3	±0.3	±0.3	±0.2	Ref	±0.1

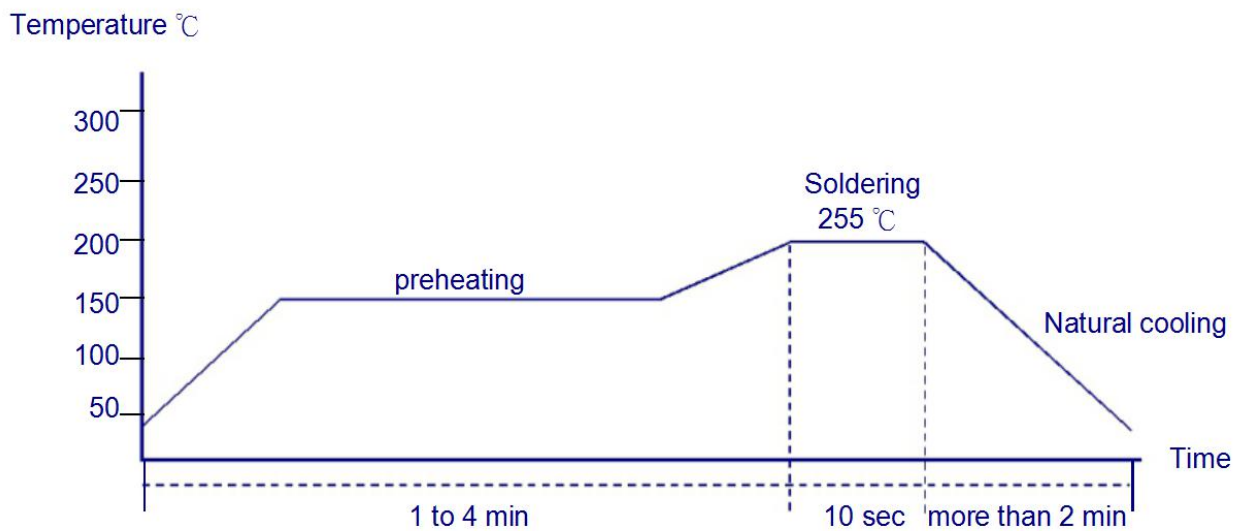
ELECREICAL SCHEMATIC:


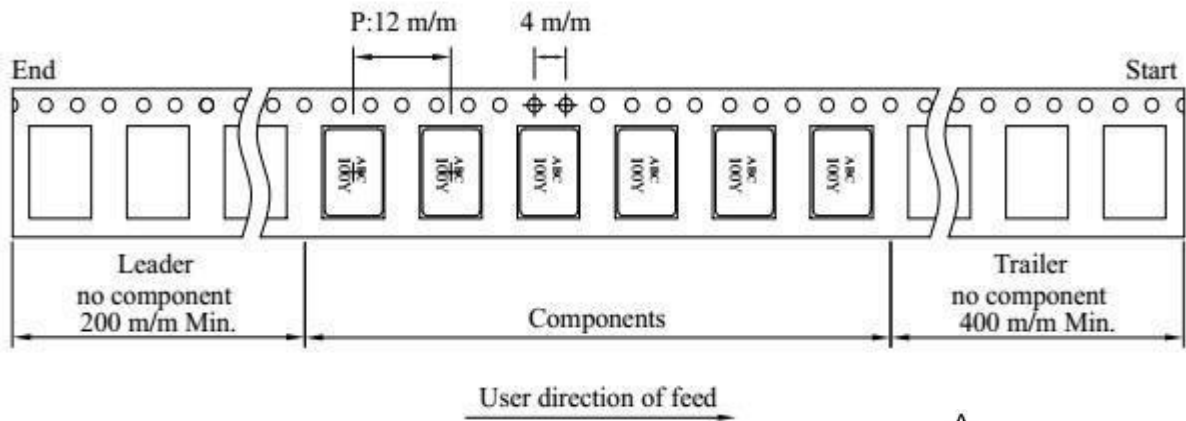
Part Number	Inductance L1=L2 (uH)	Test Frequency	DC Resistance 1-4,2-3 (Ω) Max.	Rated Current (A) Max.	Rated Volt. (Vdc)Max.	IR (Ω)min.
SMW9050S100NTT	10±30%	1KHz/0.1V	0.08	1.6	80	10M
SMW9050S250NTT	25±30%	1KHz/0.1V	0.16	1.0	80	10M
SMW9050S400NTT	40±30%	1KHz/0.1V	0.25	0.9	80	10M
SMW9050S510NTT	51±30%	1KHz/0.1V	0.32	0.8	80	10M
SMW9050S251ZTT	250±50%	100KHz/5mV	0.13	1.2	80	10M
SMW9050S471ZTT	470±50%	100KHz/5mV	0.14	1.1	80	10M
SMW9050S501ZTT	500±50%	100KHz/5mV	0.15	1.0	80	10M
SMW9050S102ZTT	1000±50%	100KHz/5mV	0.31	0.8	80	10M
SMW9050S202ZTT	2000±50%	100KHz/5mV	0.42	0.6	80	10M
SMW9050S472ZTT	4700±50%	100KHz/5mV	0.90	0.4	80	10M
SMW9050S652ZTT	6500±50%	100KHz/5mV	1.05	0.3	80	10M

- (1).Rated Current: Temp.rise 40°C Typ
- (2).Operating Temperature: -20°C up to +80°C
- (3).Storage Temperature: -20°C up to +40°C, 75% RH max.

RELIABILITY TEST

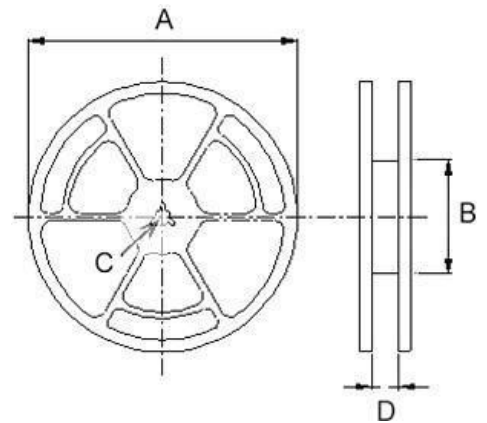
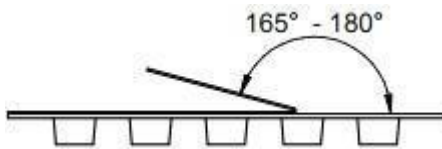
Test Items	Test Conditions	Criteria
1. Low temperature storage	Placed at -40°C for 500 hours, then measured at room ambient temperature after placing 24 hours.	Inductance shall be within ±10% of the initial value.
2. High temperature storage	Placed at +125°C for 500 hours, then measured at room ambient temperature after placing 24 hours.	Inductance shall be within ±10% of the initial value.
3. Thermal shock	-40°C, 30min. ~ +125°C, 30min., 500hours	Inductance shall be within ±10% of the initial value.
4. Humidity resistance	Placed at 90 to 95%RH, +50°C for 500 hours, then measured at room ambient temperature after placing 24 hours.	Inductance shall be within ±10% of the initial value. Insulation resistance > 100Mohm at DC
5. Drop	Drop specimen three times on concrete floor from a height of 1 meter which mounted on test board.	Inductance shall be within ±10% of the initial value.
6. Vibration	Frequency: 10~500Hz Amplitude: 1.5mm or 10G Sweep time: 1oct/min Test Directions: X,Y,Z Test Time: 2 hours each direction	Inductance shall be within ±10% of the initial value.
7. Terminal strength	Add static load 4.9N (500gf) to inductor through hole of test board for 10±2 sec.	No detachment of terminal pin and no breakage of wire.
8. Soldering heat resistance	Dip inductor's terminal in solder bath of following conditions: 1) 260±5°C, 10±1sec, 2) 350±10°C, 3.5±0.5sec	Inductance shall be within ±10% of the initial value. Appearance: No damage

REFLOW-PROFILE

PACKAGING


Tape width	Distance	Pull-of force
16 mm	12mm	10~130g

透明下帶，自粘上帶



Reel Dimensions(Unit:mm)				Quantity
A	B	C	D	Pcs/Reel
330	100	13	16.5	1000

X-ON Electronics

Largest Supplier of Electrical and Electronic Components

Click to view similar products for [Common Mode Chokes / Filters](#) category:

Click to view products by [Sunltech](#) manufacturer:

Other Similar products are found below :

[PE-64683](#) [RD5122-6-9M6](#) [RD6137-6-7M5](#) [RD8147-16-3M0](#) [ST6118T-R](#) [FE3X025-10-7NL](#) [RD7147-25-0M7](#) [TCM0806G-350-2P-T](#)
[TCM0806G-650-2P-T](#) [IND-0110](#) [UAL21VR0802000](#) [UALSC023000000](#) [UALSC1020JH000](#) [UALSU10VD20010](#) [UALSU9VD070100](#) [36-00037](#) [UALW21HS072450](#) [UALSU9H0208000](#) [UAL24VK06450CH](#) [PLT10HH501100PNB](#) [PLT10HH401100PNB](#) [PLT10HH1026R0PNB](#)
[36-00029-01](#) [PE-67531](#) [TLH10UB](#) [113 0R5](#) [2752045447](#) [7351V](#) [CMF16-153131](#) [RD7147-6-6M0](#) [T8116NLT](#) [FE2X10-4-2NL](#) [36-00029-07](#)
[T8003NLT](#) [CTX01-13663](#) [CTX66-19521-R](#) [RC212-0.5-10M](#) [RC112-0.4-15M](#) [RC212-0.6-6M8](#) [RC212-0.4-15M](#) [RC112-0.3-30M](#)
[WTCF2012Z0M751PB](#) [PH9408.814NLT](#) [PAC6006.364NLT](#) [PAC6006.444NLT](#) [PAC6006.204NLT](#) [PH9407.204NLT](#) [PAC6006.264NLT](#)
[PH9408.105NLT](#) [PH9408.494NLT](#) [PAC6006.104NLT](#)