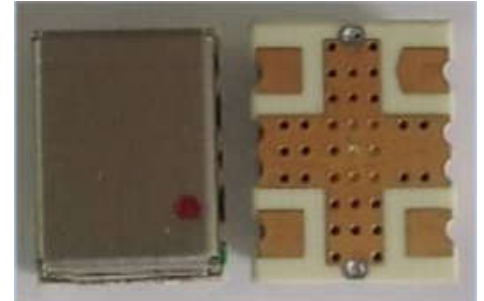
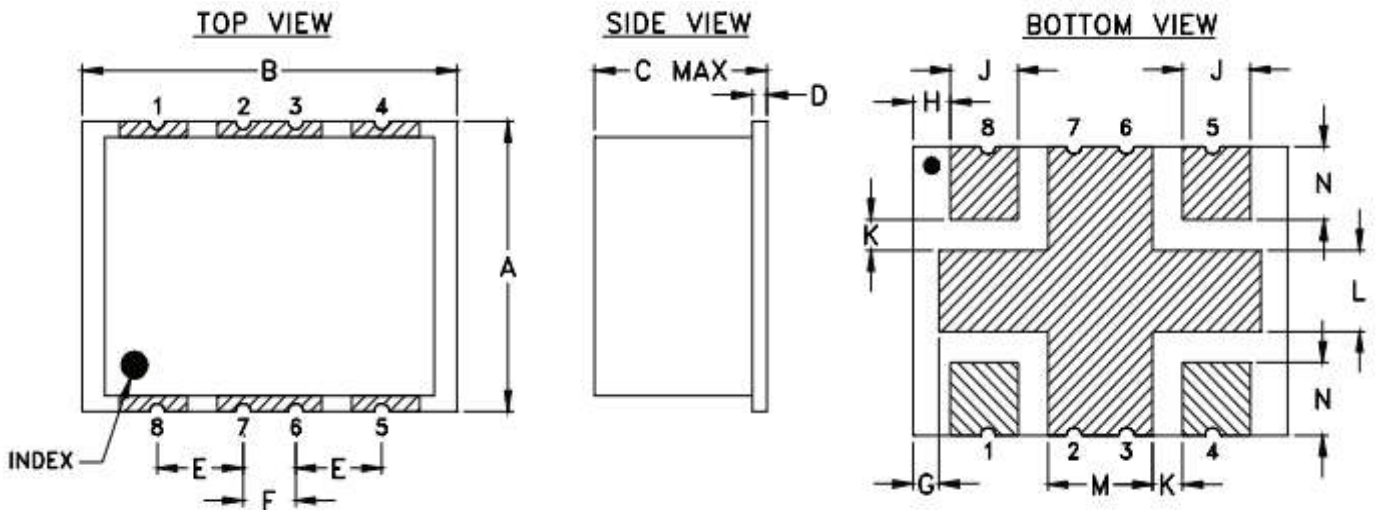


50Ω 20dB Directional Coupler
Features:

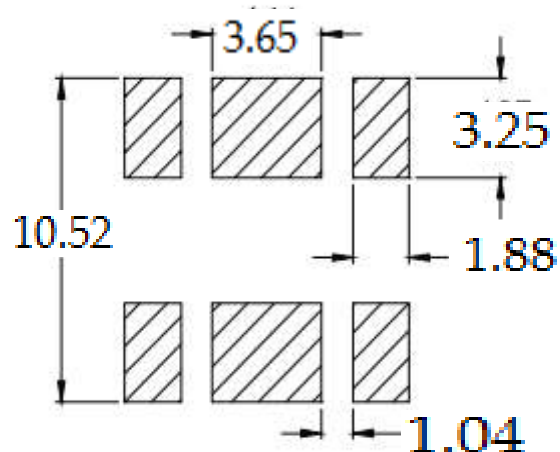
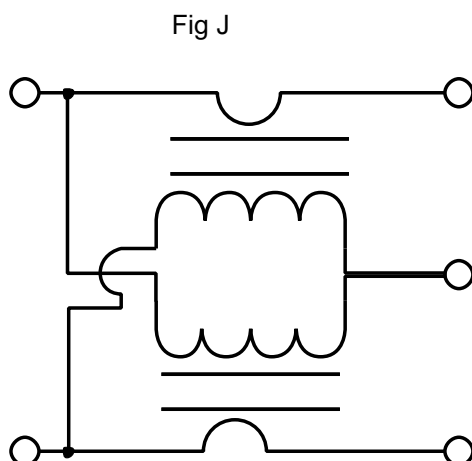
- ◆ Frequency Range: 10 to 540 MHz
- ◆ Surface mount and available in tape and reel
- ◆ Operating temperature range: -40°C to +85°C
- ◆ Storage temperature range: -55°C to +100°C

Applications:

- ◆ Signal monitoring
- ◆ military mobile

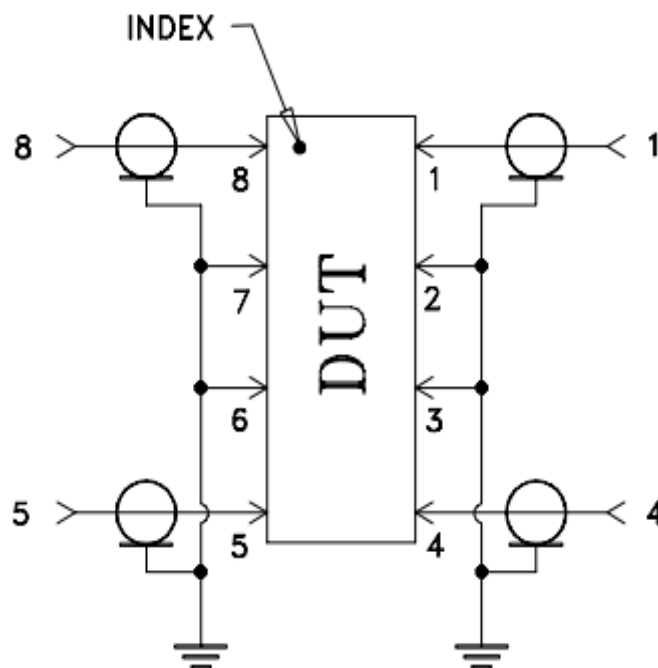

Dimension diagram (Unit:mm) :


$A=9.35\pm 0.30$ $B=12.70\pm 0.30$ $C=7.00$ Max $D=0.80\pm 0.15$ $E=2.92\pm 0.15$ $F=1.78\pm 0.15$
 $G=0.90\pm 0.15$ $H=1.27\pm 0.15$ $J=2.30\pm 0.20$ $K=1.02\pm 0.15$ $L=2.70\pm 0.15$ $M=2.60\pm 0.15$ $N=2.40\pm 0.15$

Electrical structure:
Recommended layout(mm):


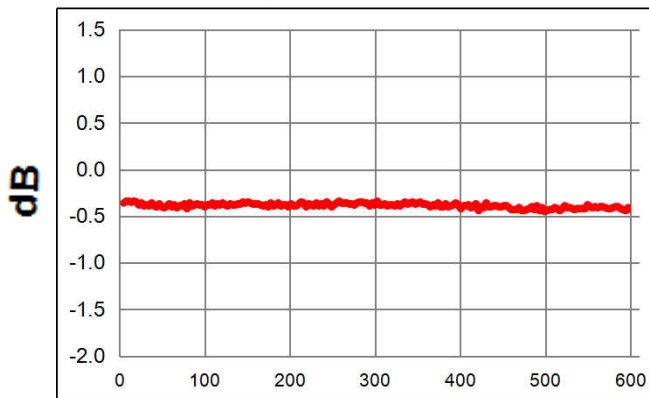
Pin Connections:

Pin no.	Pin Connections
8	Input
1	Ouput
5	Coupled(Forward)
4	Coupled(Reverse)
2,3,6,7	Ground

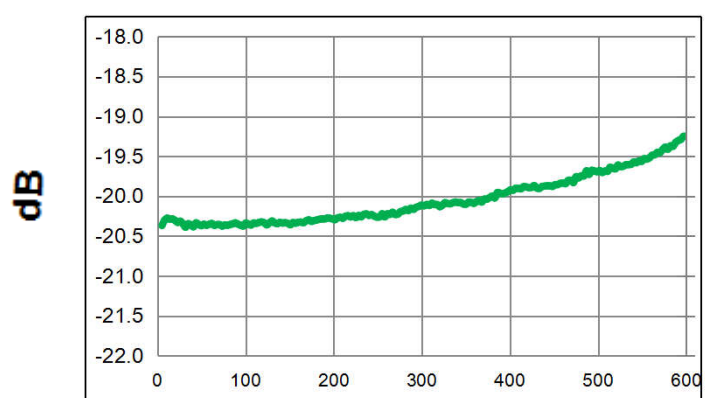
Application circuit :


Electrical Specifications: TA=25°C, 0dBm, Z0=50Ω:

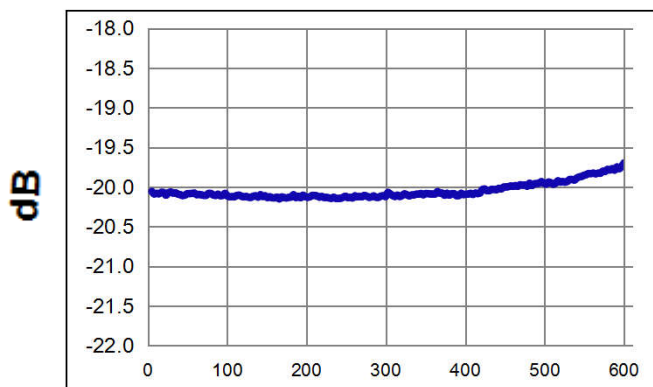
Parameter	Test Conditions	Units	Min	Typ	Max
Main line Loss(Pin8-1)	10-540MHz	dB	—	0.3	1.0
Coupling(Forward)(Pin8-5)	10-540MHz	dB	—	20.2	±1.0
Coupling(Reverse)(Pin1-4)	10-540MHz	dB	—	20.0	±1.0
Input Return Loss(Pin8)	10-540MHz	dB	16.0	28.0	—
Output Return Loss(Pin1)	10-540MHz	dB	16.0	30.0	—
Coupled Fwd Return Loss(Pin5)	10-540MHz	dB	16.0	28.0	—
Coupled Rev Return Loss(Pin4)	10-540MHz	dB	16.0	32.0	—
Isolation(Pin8-4)	10-540MHz	dB	25.0	42.0	—
Isolation(Pin1-5)	10-540MHz	dB	25.0	33.0	—

Main line Loss(pin8-1):


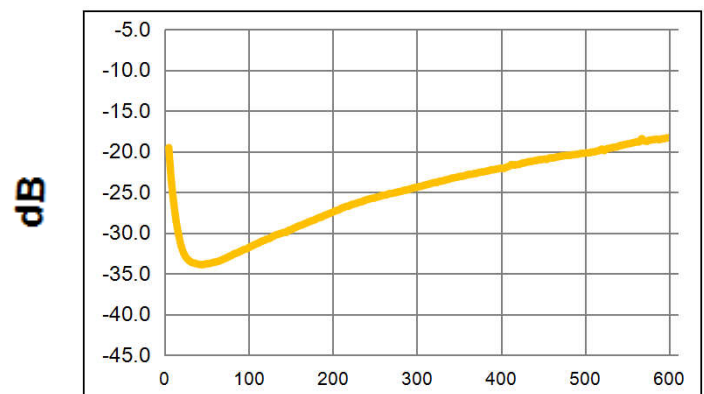
Frequency(MHz)

Coupling Forward (Pin8-5):


Frequency(MHz)

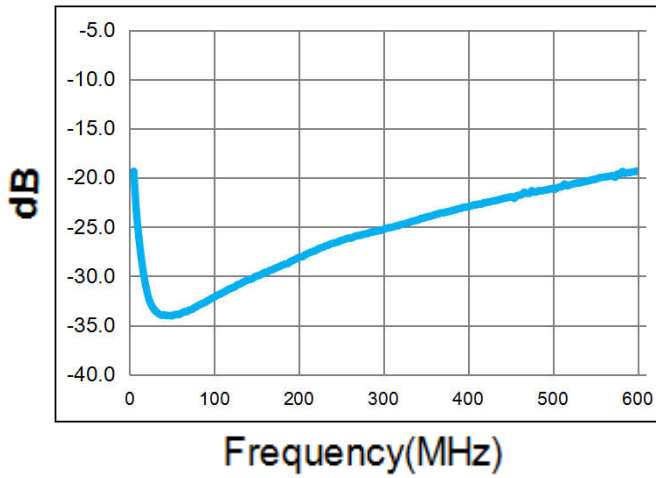
Coupling Reverse (Pin1-4):


Frequency(MHz)

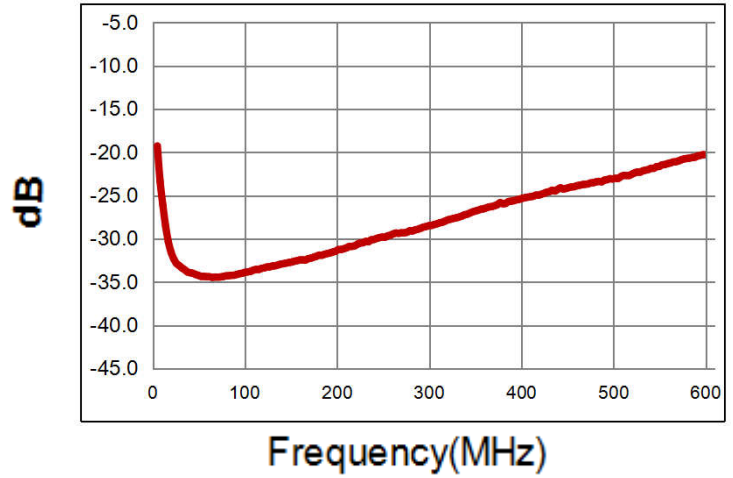
Input Return Loss(Pin8):


Frequency(MHz)

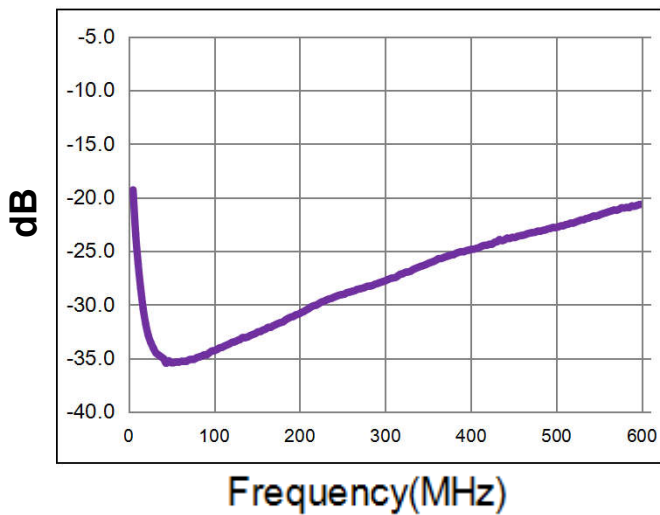
Output Return Loss(Pin1):



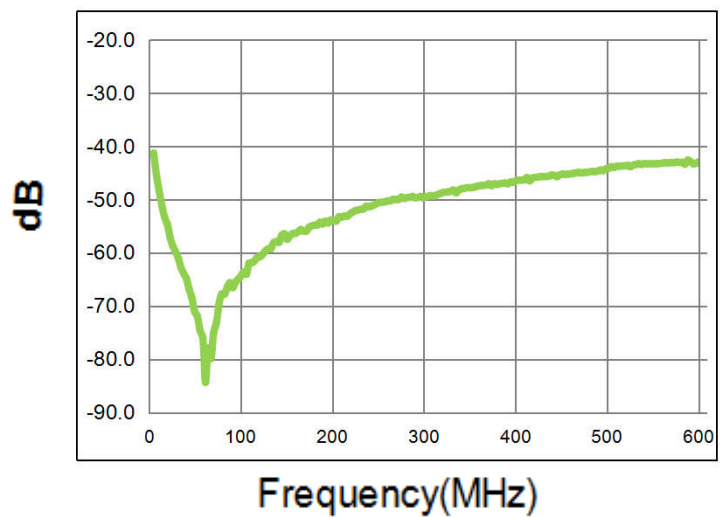
Coupled Fwd Return Loss(Pin5):



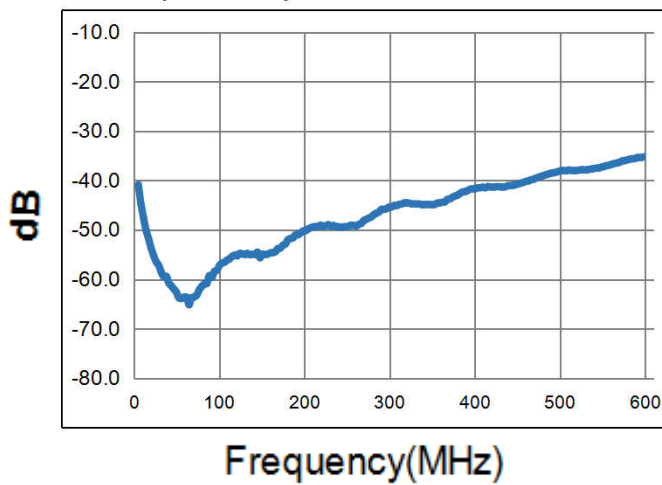
Coupled Rev Return Loss(Pin4):

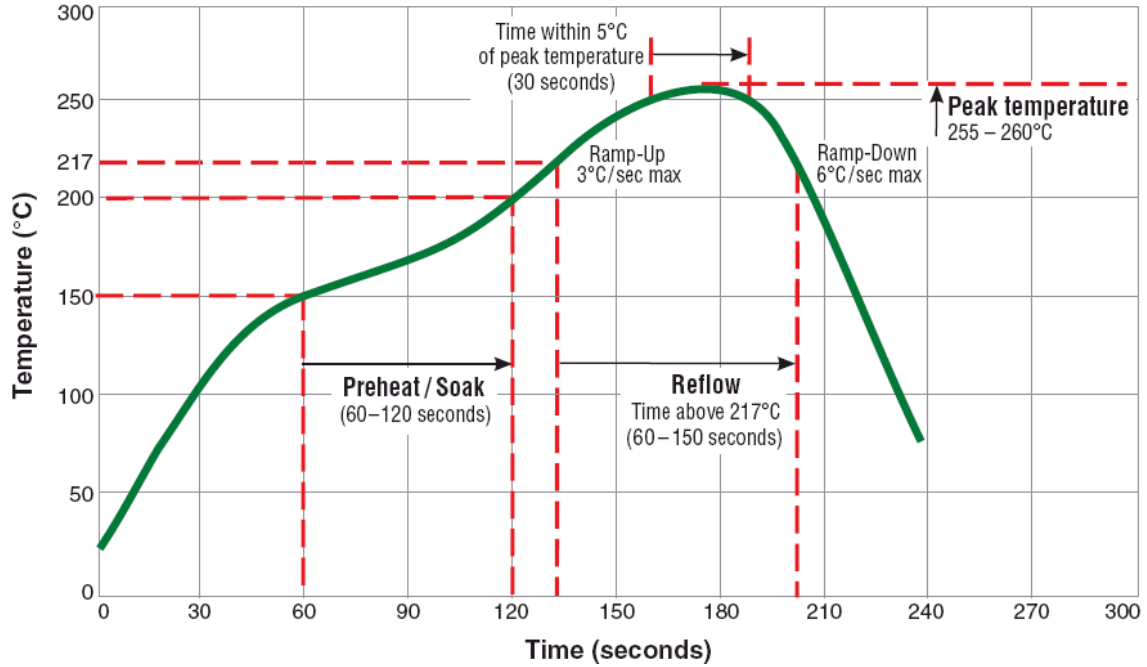
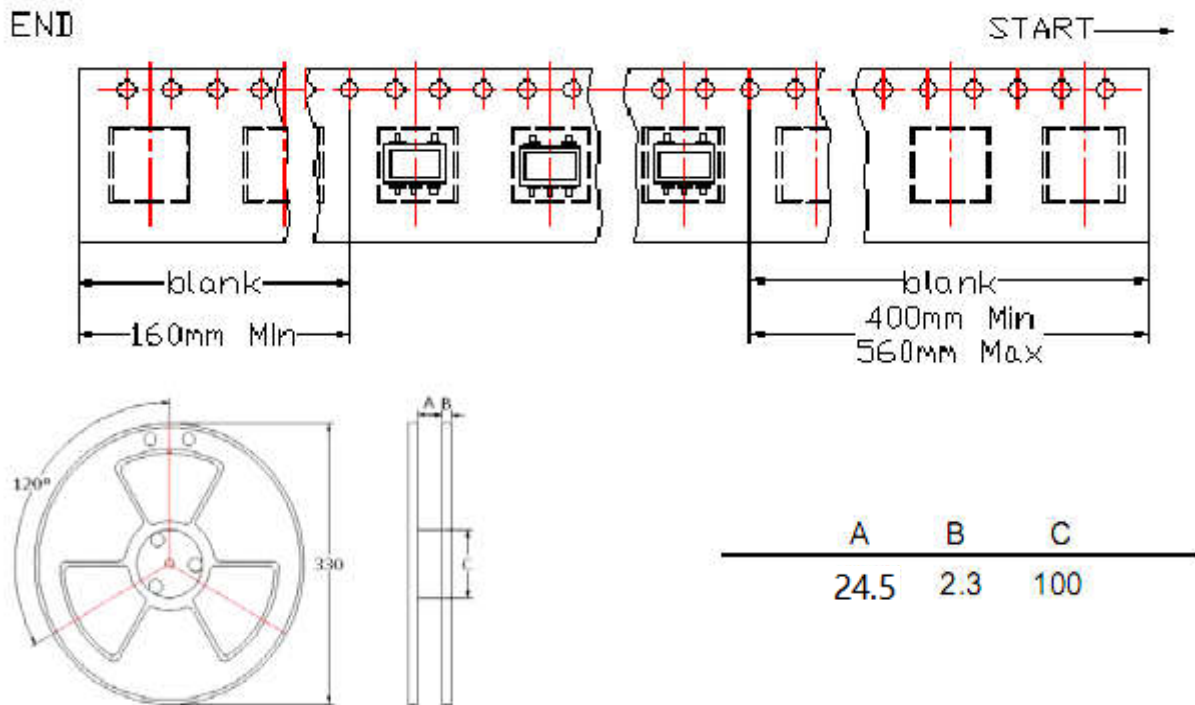


Isolation(Pin8-4):



Isolation(Pin1-5):



Recommended Soldering Temperature Graph:
Typical RoHS Reflow Profile

Packaging Dimension For Carrier Tape (UNIT:mm):

QUANTITY

500 PCS/Reel

Big Carton/ 5000PCS

X-ON Electronics

Largest Supplier of Electrical and Electronic Components

Click to view similar products for [Signal Conditioning](#) category:

Click to view products by [Sunltech](#) manufacturer:

Other Similar products are found below :

[PD0409J5050S2HF](#) [HHS-109-PIN](#) [AFS14A35-1591.50-T3](#) [JP510S](#) [LFB322G45SN1A504](#) [SF2159E](#) [FM-104-PIN](#) [CER0813B](#)

[MAPDCC0005](#) [3A325](#) [BD0810N50100AHF](#) [DC0710J5005AHF](#) [DC2327J5005AHF](#) [LFL15869MTC1B787](#) [X3C19F1-20S](#)

[CDBLB455KCAX39-B0](#) [RF1353C](#) [051157-0000](#) [PD0922J5050D2HF](#) [600S150FTRB](#) [1E1305-3](#) [1F1304-3S](#) [TP-103-PIN](#)

[BD1222J50200AHF](#) [BD1722J50100AHF](#) [2450DP39K5400E](#) [BD0810J50150AHF](#) [BD1722J50200AHF](#) [DS-327-PIN](#) [MACP-008125-](#)

[CK07F0](#) [DS-329-PIN](#) [DS-313-PIN](#) [TP-104-PIN](#) [TP-101-PIN](#) [HH-128-PIN](#) [8594810000](#) [T-1000-N](#) [JP506S](#) [XC0900P-10S](#) [XC0900B-30S](#)

[CHE1260-QAG](#) [11305-10](#) [5962-9091202MXA](#) [3A412S](#) [X3C06A4-03S](#) [B39000Z3410A4](#) [DSS-333-PIN](#) [PD2425J5050S2HF](#)

[B39242B4360P810](#) [B39781B8005P810](#)