

Country of Origin : China  
 Operating Temperature : 0~40 [°C]  
 Dimension : 63.6 x 29.5 x 45.6 [mm]  
 Efficiency level (ErP) : VI



Approvals / Marks :



**Specifications**

Basic Models	Voltage DC [V]	Loading [A]	Max. Power [W]	Ripple / Noise [mV] p-p	Connector [mm]
SYS1381N-1205-Wxx	5	0~2.4	12	150	2.1x5.5x11
SYS1381N-1205-Wxx	5	0~2.4	12	150	1.7x5.5x11
SYS1381N-1205-Wxx	5	0~2.4	12	150	Micro USB
SYS1381N-1206-Wxx	6	0~2.0	12	150	2.1x5.5x11
SYS1381N-1207-Wxx	7,5	0~1.6	12	150	2.1x5.5x11
SYS1381N-1209-Wxx	9	0~1.33	12	150	2.1x5.5x11
SYS1381N-1212-Wxx	12	0~1.0	12	150	2.1x5.5x11
SYS1381N-1215-Wxx	15	0~0.8	12	180	2.1x5.5x11
SYS1381N-1218-Wxx	18	0~0.66	12	200	2.1x5.5x11
SYS1381N-1224-Wxx	24	0~0.5	12	250	2.1x5.5x11

**Features:**

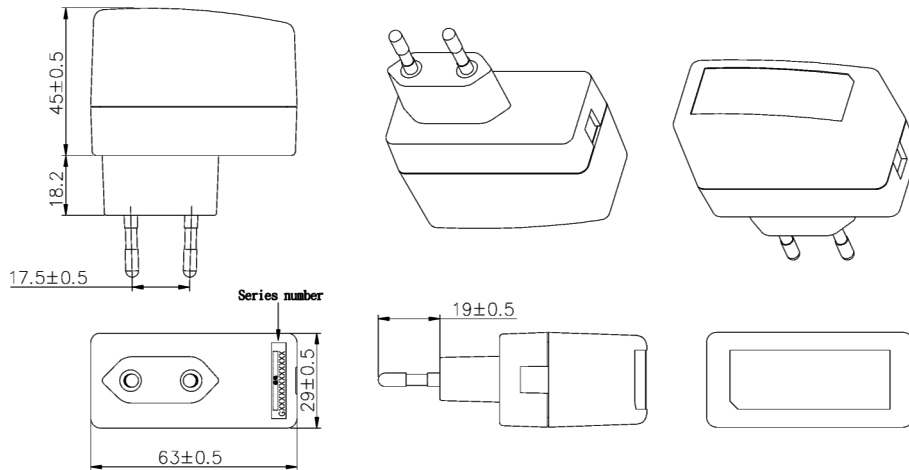
Certified plugs Wxx = W2E - Europe | W3U - England | W2 - USA, Canada, Japan, Taiwan | W2A - Australia | W2C - China

For all models, the minimum rising step of output voltage is 0.1V - 4.0V~24V 12W max | Private Label Marking Available | 2 Years Warranty

OUTPUT	
Turn delay	5000ms max@AC low line input@output full load
Hold up time	10ms min@AC nominal input@output full load
Efficiency (Normal)	>79.94% min. Eff= 0.071 x ln(Po/1W) - 0.0014 x Po/1W + 0.67 Directive EU 2019/1782
Transient response (dv,tmax)	0.3V dv max at AC nominal input loading from 50Ω load to max load or peak load. 16ms tmax Dynamic rise time 10 us max,duty 40ms max,Dynamic load step is slow rate of 0.5A/us
Burn in limit	Ambient temp: 35C+/-3%; 80% load; input voltage 230V; 2 hours.
Power consumption	0.1W max. At AC nominal input@output min load
INPUT	
Voltage	(90~264)VAC
Frequency	(47~63)hz
Current	0.5A rms@AC low line input and DC output full load
Inrush Surge Current (cold start)	40/60A max@power supply cold start,ambient temperature 25°C @115Vac/230Vac nominal AC input
leakage current	0.25 mA max
PROTECTION	
Over current/ Short protection	The power supply will self-protect any output to ground, And auto recovery when abnormal circuit faults remove. An output short circuit is defined as any output impedance of less than 0.1 ohms.
Over Voltage	The power supply will not be auto recovered when faults remove 110%-150%. (Voltage limit)
Input protection	F1:1A /250V Fuse. The power supply shall be protected against power line surges and any abnormal condition
No Load protection	The power supply is provided with no load operation to prevent the power supply and system from damage.
Protection class	II

CE	
EMC	2014/30/EU
LVD	2014/35/EU EN 60950-1:2006+A11+A1+A12+A2 EN 62368-1
SAFETY	
CE   CB   TUV/GS	
OTHERS	
Dielectric Strength (Hi-pot)	HI-POT B / IEC 320 2pin primary to secondary 4000Vdc 10mA 1min
M.T.B.F	500,000 Calculated Hours at 25°C, by Telcordia SR-332
Cable Length	1370mm (4.5 feet) standard cable or as required
PLD (power line disturbance)	Line power surge   Line voltage SAG-more info on request
Cooling method	Natural Convection Cooling
Housing material	PC
Temperature coefficient:	< ±0.5% / °C
ENVIRONMENT	
Temperature	Operating: 0~40°C / Storage: -20~85°C
Humidity	Operating: 8%~90%RH / Storage: 5%~95% RH non condensing
WEIGHT	
NW:	85 g/pc
Box:	11,5 kg
PACKING	
Box	100 pcs/1 box

**Mechanical case specification:**



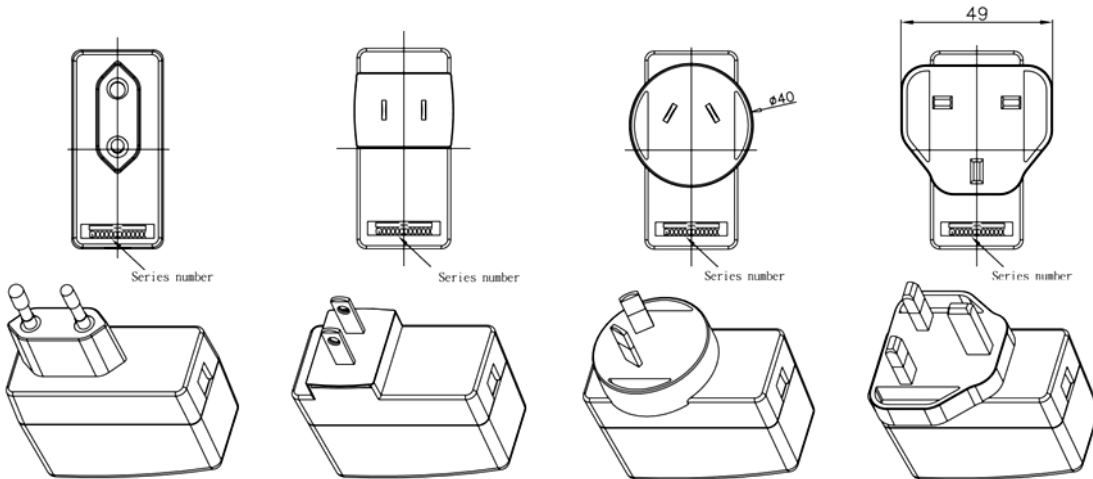
**Mechanical specification (country housing):**

Europe / Korea type (W2E/W2K)

US / Canada type (W2)

Australia type (W2A)

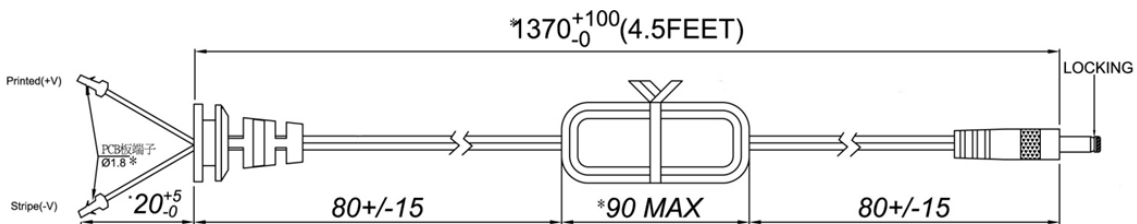
UK type (W3U)



**Cable specification:**

Connectors 2.1\*5.5\*11; 1.7\*5.5\*11; micro USB

Cable (2468#20\*2C / 4.5FT)



## X-ON Electronics

Largest Supplier of Electrical and Electronic Components

*Click to view similar products for Sunny manufacturer:*

Other Similar products are found below :

[1357-AC PLUG W2A \(AUSTRALIA\)](#) [1357-AC PLUG W2B \(BRAZIL\)](#) [1357-AC PLUG W2C \(CHINA\)](#) [1357-AC PLUG W2E \(EUROPE\)](#)  
[1357-AC PLUG W2G \(ARGENTINA\)](#) [1357-AC PLUG W2I \(INDIA\)](#) [1357-AC PLUG W2K \(KOREA\)](#) [1357-AC PLUG W2 \(USA\)](#) [1357-AC](#)  
[PLUG W3S \(S. AFRICA\)](#) [1357-AC PLUG W3U \(ENGLAND\)](#) [C13AG18](#) [C13AU18](#) [C13B18](#) [C13C18](#) [C13E18](#) [C13G18](#) [C13IT18](#) [C13S18](#)  
[C13U18](#) [C5E18](#) [C5G18](#) [C5U18](#) [C7A18](#) [C7E18](#) [C7G18](#) [C7J18](#) [C7U18](#) [CSJ2155ST3P2155SR03](#) [CSJ2155ST5P2155SR03](#)  
[ECJ02F2155STST](#) [ECJ02F2555STST](#) [ECJ08F2155STST](#) [ECJ15R2155STP2155S](#) [ECJ20R2155STST](#) [ECJ40R2155STP2155S](#)  
[ECJ40R2155STST](#) [ECP02F2155TST](#) [ECP02F2555STST](#) [ECP05R2155STP2155S](#) [ECP08F2155STST](#) [ECP08F2555STST](#)  
[ECP10R2155STP2155S](#) [ECP15F2155STST](#) [ECP30R2155STST](#) [ECP40R2155STST](#) [POE-1215-M3](#) [SYL1460-2412-EU/UK/US](#) [SYS1052-](#)  
[0312-W2E](#) [SYS1308N-1505-W2E](#) [SYS1308N-1807-W2E](#)