

Country of Origin : China  
 Operating Temperature : 0~40 [°C]  
 Dimension : 75 x 34 x 89 [mm]  
 Efficiency level (ErP) : VI



Approvals / Marks :



### Specifications

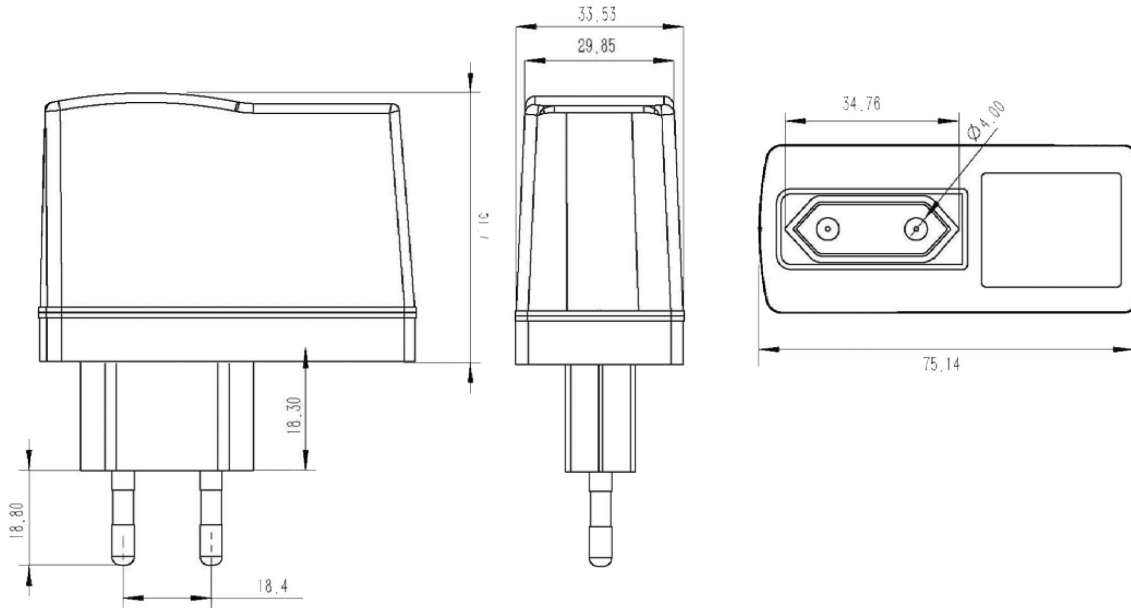
Model	Voltage DC [V]	Loading [A]	Max. Power [W]	Ripple / Noise [mV] p-p	Connector [mm]
SYS1588-2005-W2E	5.1	0~4	20.4	120	2.1x5.5x11
SYS1588-2005-W2E	5.1	0~4	20.4	120	USB-C
SYS1588-2406-W2E	6	0~4	24	120	2.1x5.5x11
SYS1588-3009-W2E	9	0~3.33	30	120	2.1x5.5x11
SYS1588-3012-W2E	12	0~2.5	30	200	2.1x5.5x11
SYS1588-3015-W2E	15	0~2.0	30	200	2.1x5.5x11
SYS1588-3018-W2E	18	0~1.66	30	240	2.1x5.5x11
SYS1588-3024-W2E	24	0~1.25	30	240	2.1x5.5x11
SYS1588-3048-W2E	48	0~0.63	30	400	2.1x5.5x11

### Features:

Output connector: standard: 2.1 x 5.5 x 11mm or customer requirement | Regulated Output With Low Ripple Noise | Safety Agency Requirements and EMI/EMS Certified  
 Private Label Marking Available | Modified and Custom Design Available | 2 Years Warranty

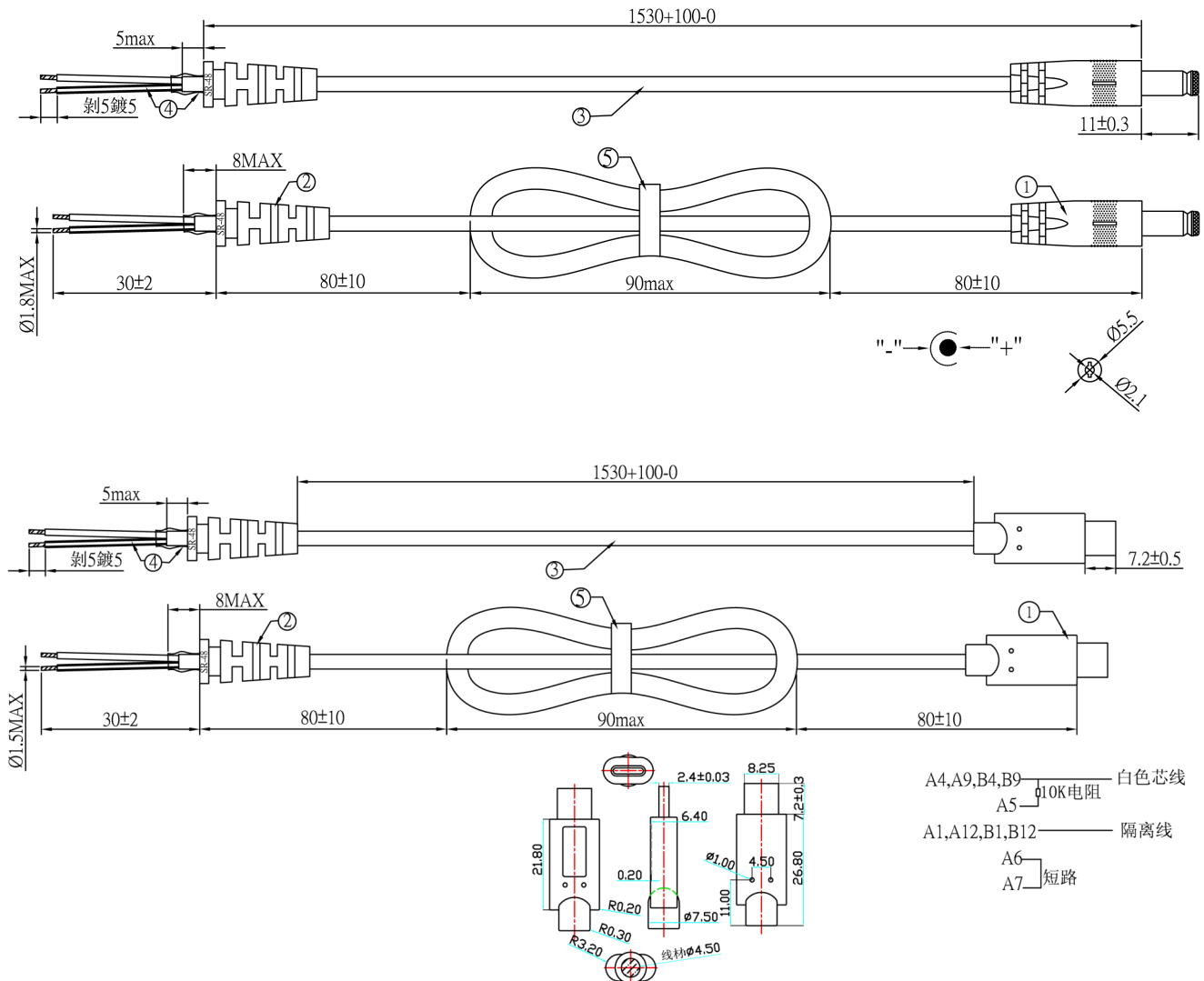
OUTPUT		CE	
Turn delay	5000 ms max@AC low line input@output full load	EMC	2014/30/EU
Hold up time	8ms min@AC nominal input@output full load	LVD	2014/35/EU EN 60950-1:2006+A11+A1+A12+A2 EN 62368-1
Efficiency (Normal)	>85%@115v/60HZ,230V/50HZ input & Full load	<b>SAFETY</b>	
Transient response (dv,tmax)	0.4V dv max At AC nominal input loading from 20%load to 80% load	CE   GS   cTUVus   EAC	
	16ms tmax Dynamic rise time 10 us max,duty 40ms max,Dynamic load step is slew rate of 0.5A/us	<b>OTHERS</b>	
Power out.Limit	30W	Dielectric Strength (Hi-pot)	I/P-O/P:3000VAC
Burn in limit	Full load 2 Hours	M.T.B.F	500,000 Calculated Hours at 25°C, by Telcordia SR-332
Power consumption	0.1W max. At AC nominal input@output min load	Cable Length	1370mm (4.5 feet) standard cable or as required
INPUT		PLD (power line disturbance)	Line power surge   Line voltage SAG-more info on request
Voltage	(90~264)VAC	Cooling method	Natural Convection Cooling
Frequency	(47~63)hz	Housing material	PC + ABS
Current	1.5A rms@AC low line input and DC output full load	Temperature coefficient:	< ±0.5% / °C
Inrush Surge Current (cold start)	40/60A max@power supply cold start,ambient temperature 25°C @115Vac/230Vac nominal AC input	ENVIRONMENT	
leakage current	0.25mA Max	Temperature	Operating: 0~40°C / Storage: -20~85°C
PROTECTION		Humidity	Operating: 8%~90%RH / Storage: 5%~95% RH non condensing
Over current/ Short protection	The power supply will be auto recovered when over current or short circuit faults remove (fold back). Is defined as any output impedance of less than 0.1Ω. The power supply will be auto recovered when short circuit faults remove	WEIGHT	
Over Voltage	The power supply shall be self-recovering when the fault condition is removed.	NW: 158g/pc	
Input protection	The switching adaptor use 3.15A fuse.	GW: 178g/pc	
No Load protection	The power supply is provided with no load operation to prevent the power supply and system from damage.	PACKING	
Protection class	II, (ITU-T K.21 Surge 6KV on request)	Box	80 pcs/1 box

**Mechanical case specification:**



**Cable specification:**

1185#16AWG\*1C|



## X-ON Electronics

Largest Supplier of Electrical and Electronic Components

*Click to view similar products for Sunny manufacturer:*

Other Similar products are found below :

[1357-AC PLUG W2A \(AUSTRALIA\)](#) [1357-AC PLUG W2B \(BRAZIL\)](#) [1357-AC PLUG W2C \(CHINA\)](#) [1357-AC PLUG W2E \(EUROPE\)](#)  
[1357-AC PLUG W2G \(ARGENTINA\)](#) [1357-AC PLUG W2I \(INDIA\)](#) [1357-AC PLUG W2K \(KOREA\)](#) [1357-AC PLUG W2 \(USA\)](#) [1357-AC](#)  
[PLUG W3S \(S. AFRICA\)](#) [1357-AC PLUG W3U \(ENGLAND\)](#) [C13AG18](#) [C13AU18](#) [C13B18](#) [C13C18](#) [C13E18](#) [C13G18](#) [C13IT18](#) [C13S18](#)  
[C13U18](#) [C5E18](#) [C5G18](#) [C5U18](#) [C7A18](#) [C7E18](#) [C7G18](#) [C7J18](#) [C7U18](#) [CSJ2155ST3P2155SR03](#) [CSJ2155ST5P2155SR03](#)  
[ECJ02F2155STST](#) [ECJ02F2555STST](#) [ECJ08F2155STST](#) [ECJ15R2155STP2155S](#) [ECJ20R2155STST](#) [ECJ40R2155STP2155S](#)  
[ECJ40R2155STST](#) [ECP02F2155TST](#) [ECP02F2555STST](#) [ECP05R2155STP2155S](#) [ECP08F2155STST](#) [ECP08F2555STST](#)  
[ECP10R2155STP2155S](#) [ECP15F2155STST](#) [ECP30R2155STST](#) [ECP40R2155STST](#) [POE-1215-M3](#) [SYL1460-2412-EU/UK/US](#) [SYS1052-](#)  
[0312-W2E](#) [SYS1308N-1505-W2E](#) [SYS1308N-1807-W2E](#)