

Country of Origin : China  
 Operating Temperature : 0~40 [°C]  
 Efficiency level (ErP) : VI



Approvals / Marks :



**Specifications**

| Model            | Voltage DC [V] | Loading [A] | Max. Power [W] | Ripple / Noise [mV] p-p | Connector [mm] |
|------------------|----------------|-------------|----------------|-------------------------|----------------|
| SYS1638-0605-Wxx | 5              | 0~1.2       | 6              | 250                     | 2.1x5.5x11     |
| SYS1638-0605-Wxx | 5              | 0~1.2       | 6              | 250                     | Mini USB       |
| SYS1638-0605-Wxx | 5              | 0~1.2       | 6              | 250                     | Micro USB      |
| SYS1638-0605-Wxx | 5              | 0~1.2       | 6              | 250                     | USB inlet      |
| SYS1638-0612-Wxx | 12             | 0~0.5       | 6              | 200                     | 2.1x5.5x11     |

**Features:**

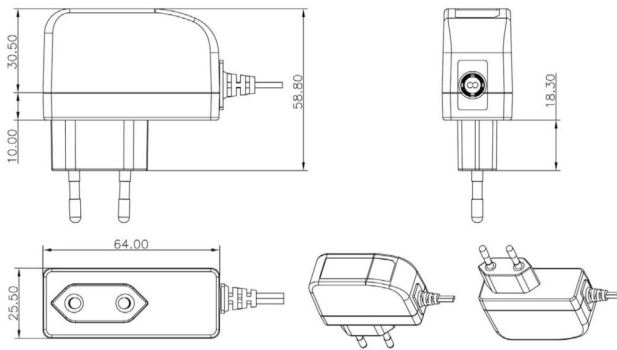
Certified plugs Wxx = W2E - Europe | W3U - England | W2 - USA, Canada, Japan, Taiwan | W2C - China | W2K - Korea  
 Output connector: standard: 2.1 x 5.5 x 11mm or customer requirement | Regulated Output With Low Ripple Noise | Safety Agency Requirements and EMI/EMS Certified  
 Private Label Marking Available | Modified and Custom Design Available | 2 Years Warranty

| OUTPUT                            |  |
|-----------------------------------|--|
| Turn delay                        | 3000ms max@AC low line input@output full load  |
| Hold up time                      | 5ms min@AC nominal input@output full load  |
| Efficiency (Normal)               | >79.03%@115v/60HZ,230V/50HZ input & Full load  |
| Transient response (dv, tmax)     | 0.6V dv max At AC nominal input loading from 20%load to 80% load   |
|                                   | Dynamic rise time 10 us max, duty 40ms max, Dynamic load step is slew rate of 0.5A/us  |
| Power out. Limit                  | 6W   |
| Burn in limit                     | Full load 2 Hours  |
| Power consumption                 | 0.075W max. At AC nominal input@output min load  |
| INPUT                             |  |
| Voltage                           | (90~264)VAC  |
| Frequency                         | (47~63)hz  |
| Current                           | 0.5A rms@AC low line input and DC output full load   |
| Inrush Surge Current (cold start) | 40/60A max@power supply cold start, ambient temperature 25°C @115Vac/230Vac nominal AC input   |
| leakage current                   | 0.25mA Max   |
| PROTECTION                        |  |
| Over current/ Short protection    | The power supply will be auto recovered when over current or short circuit faults remove (fold back). Is defined as any output impedance of less than 0.1Ω. The power supply will be auto recovered when short circuit faults remove |
| Over Voltage                      | The power supply will not be auto recovered when faults remove 110%-150%. (Voltage limit)  |
| Input protection                  | F1 1A/250V Fuse The power supply shall be protected against power line surges and any abnormal condition   |
| No Load protection                | The power supply is provided with no load operation to prevent the power supply and system from damage.  |
| Protection class                  | II   |

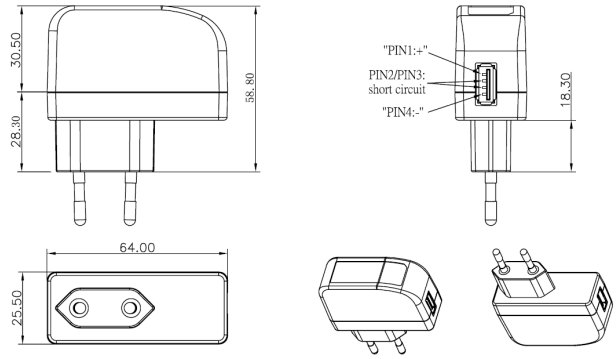
| CE                                |  |
|-----------------------------------|--|
| EMC                               | 2014/30/EU   |
| LVD                               | 2014/35/EU<br>EN 62368-1                                 |
| SAFETY                            |  |
| CB   CE   GS   FCC   cULus   UKCA |  |
| OTHERS                            |  |
| Dielectric Strength(Hi-pot)       | Primary to Secondary:4000VAC 10mA/60S                    |
| M.T.B.F                           | 500,000 Calculated Hours at 25°C, by Telcordia SR-332    |
| Cable Length                      | 1500mm (5 feet) standard cable or as required            |
| PLD (power line disturbance)      | Line power surge   Line voltage SAG-more info on request |
| Cooling method                    | Natural Convection Cooling                               |
| Housing material                  | PC   |
| Temperature coefficient:          | < ±0.5% / °C   |
| ENVIRONMENT                       |  |
| Temperature                       | Operating: 0~40°C / Storage: -20~85°C                    |
| Humidity                          | Operating: 8%~90%RH / Storage: 5%~95% RH non condensing  |
| WEIGHT                            |  |
| 1PC                               | NW: 79g/pc   |
|                                   | GW: 95g/pc   |
| PACKING                           |  |
| PE plastic bag                    | 100 pcs /1 box   |

**Mechanical case specification:**

1) SYS1638-series (EU)

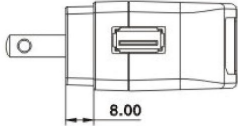


2) SYS1638-series (EU) / USB inlet

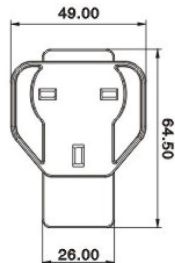


**Mechanical specification (country housing):**

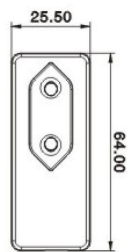
US / Japan type (W2)



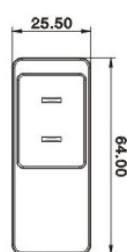
UK type (W3U)



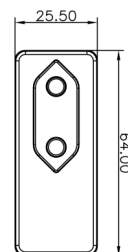
Europe type (W2E)



China type (W2C)

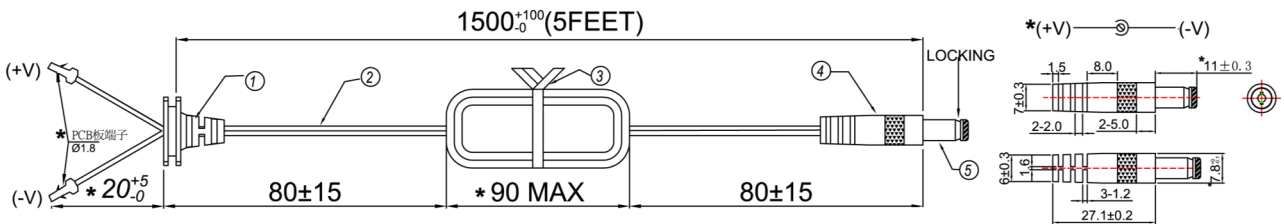


Korea (type W2K)

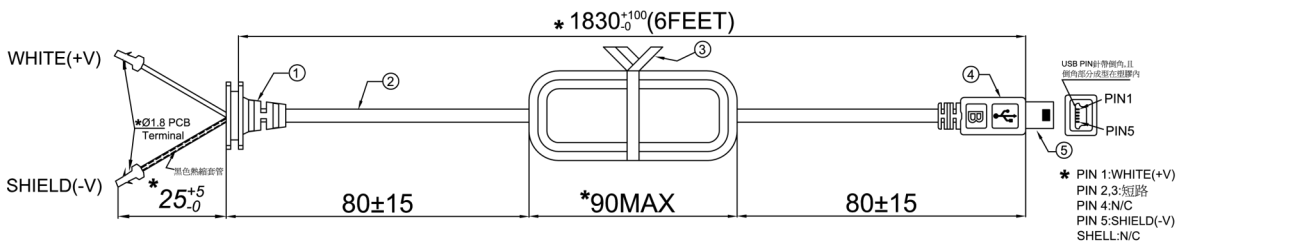


**Cable specification:**

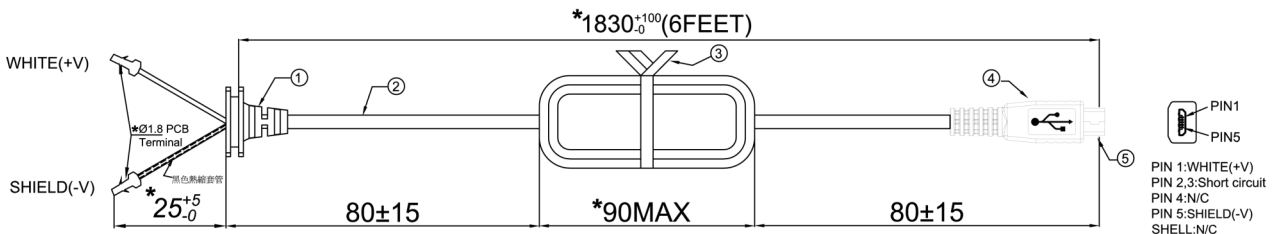
a) 2.1\*5.5\*11 (2468#22\*2C/ 5FT)



b) mini USB (1185#22\*1C+SHIELD / 6FT)



c) micro USB (1185#22\*1C+SHIELD / 6FT)



## X-ON Electronics

Largest Supplier of Electrical and Electronic Components

*Click to view similar products for [Wall Mount AC Adapters](#) category:*

*Click to view products by [Sunny](#) manufacturer:*

Other Similar products are found below :

[ADP-163 E](#) [ADP-167 J](#) [ADP-159 A](#) [PSAC05A-050L6](#) [DA10-050US](#) [WSU075-1000-R13](#) [WSU120-2000-R13](#) [WSU180-1330-13](#) [WSU120-2000-13](#) [WSU150-0800-13](#) [WSU075-3200-13](#) [WSU090-2500-13](#) [WSU050-2000-R13](#) [WSU240-1000-13](#) [WSU150-0560-13](#) [WSU240-0500-R13](#) [WSU075-1500-13](#) [WSU050-3000-13](#) [WSU120-1500-13](#) [WSU120-1500-R13](#) [WSU240-0750-13](#) [WSU090-2500-R13](#) [WSU240-1500-13](#) [WSU180-0660-13](#) [WSU090-1300-13](#) [WSU050-1500-13](#) [WSU090-0800-13](#) [WSU120-0700-13](#) [WSU045-3000-13](#) [WSU120-3000-13](#) [WSU090-1300-R13](#) [WSU075-1000-13](#) [WSU060-1250-R13](#) [WSU060-1250-13](#) [WSU050-4000-13](#) [WSU045-1500-R13](#) [PSAC05A-050L6M](#) [AC PLUG-AU3](#) [AC PLUG-MIX3](#) [TRE-A](#) [223-00011](#) [223-00012](#) [AA20R-480A-R](#) [223-00010](#) [KT1001US](#) [BB-SMI6B12V-P230C1](#) [FPBAG1-H](#) [KT1001EU](#) [POSC05200A-0723-WH](#) [POSC05200A-1335-WH](#)