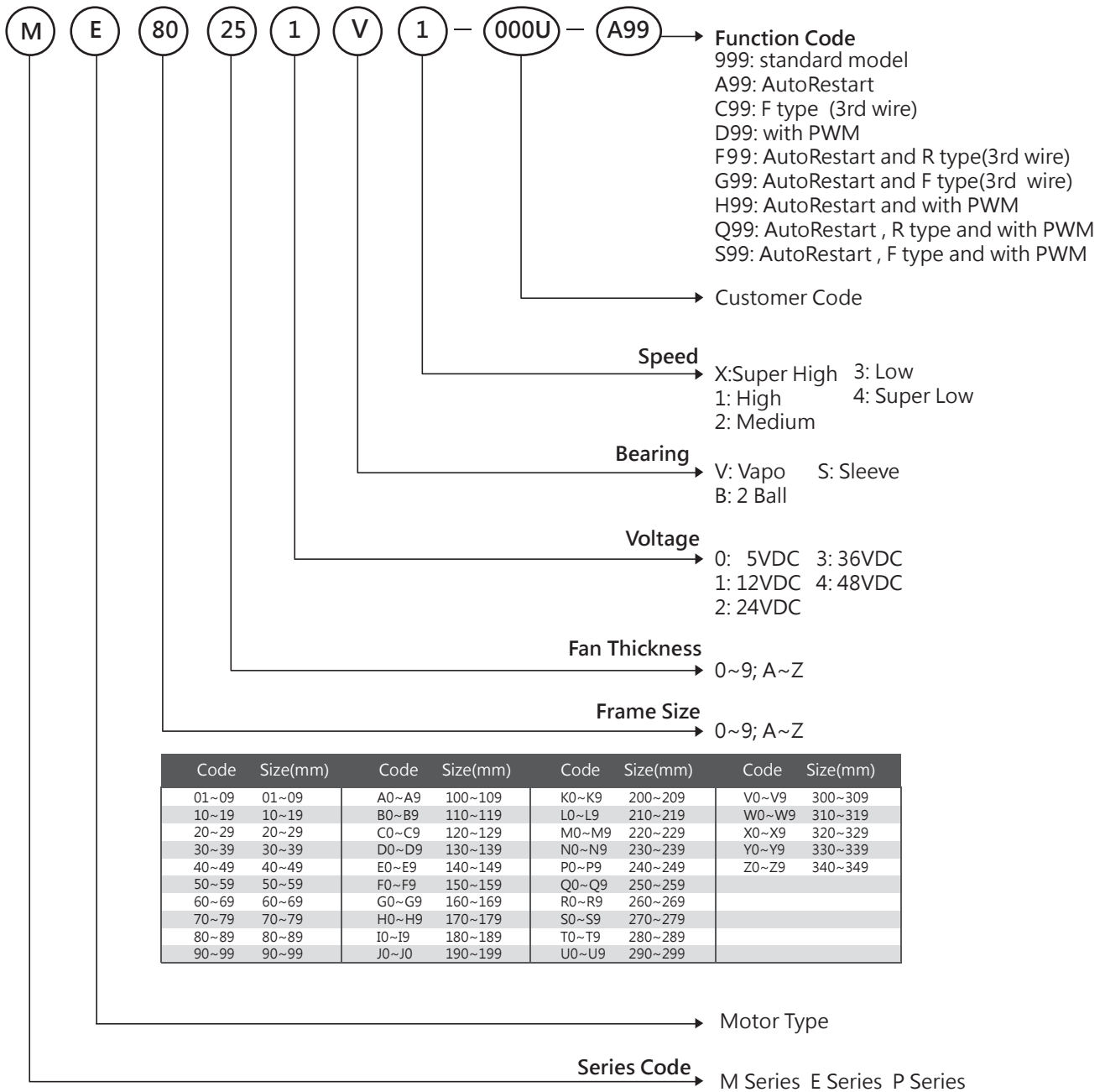


■ DC Fan New Model Numbering System



Certification



Safety




* Note: For critical or extreme environments, including non stop operation, please contact Sunon and we will gladly provide assistance with your product selection to ensure an appropriate cooling product for your application.
 * Note: The "Life Expectancy" of the fan has not been evaluated for use in combination with any end application. Therefore, the Life Expectancy Test Reports(L10 and MTTF Report) that relate to the fan are only for reference.

60x60x25 mm

16.0~27.0 CFM

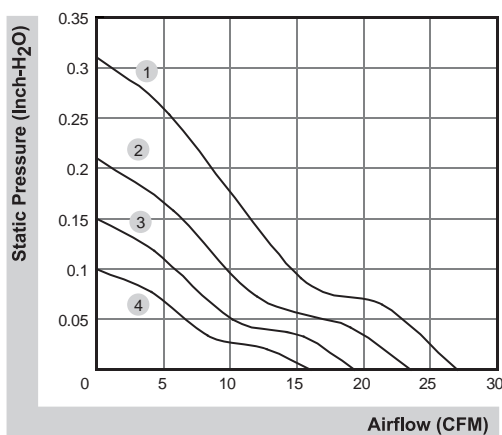


Specifications

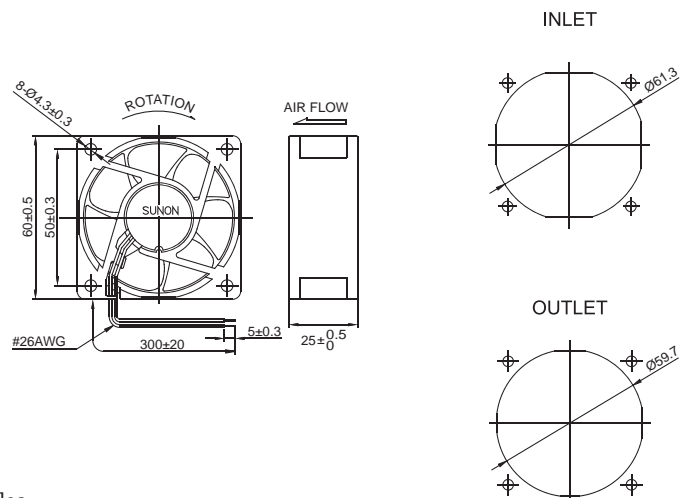
	Bearing	Rating Voltage	Power Current	Power Consumption	Speed	Air Flow	Static Pressure	Noise	Weight	Curve
	● VAPO	(VDC)	(mA)	(WATTS)	(RPM)	(CFM)	(Inch-H ₂ O)	(dB(A))	(g)	
MB60251VX-000U-A99	●	12	200	2.40	5200	27.0	0.31	36.5	57.0	1
MB60251V1-000U-A99	●	12	125	1.50	4500	23.5	0.21	33.5	57.0	2
MB60251V2-000U-A99	●	12	74	0.89	3800	19.3	0.15	29.0	57.0	3
MB60251V3-000U-A99	●	12	50	0.60	3100	16.0	0.10	21.0	57.0	4
MB60252VX-000U-A99	●	24	110	2.64	5200	27.0	0.31	36.5	57.0	1
MB60252V1-000U-A99	●	24	70	1.68	4500	23.5	0.21	33.5	57.0	2
MB60252V2-000U-A99	●	24	48	1.16	3800	19.3	0.15	29.0	57.0	3
MB60252V3-000U-A99	●	24	32	0.77	3100	16.0	0.10	21.0	57.0	4

Model	Bearing	Rating Voltage	Power Current	Power Consumption	Speed	Air Flow	Static Pressure	Noise	Weight	Curve
	○ 2BALL Sleeve	(VDC)	(mA)	(WATTS)	(RPM)	(CFM)	(Inch-H ₂ O)	(dB(A))	(g)	
EB60251S1-000U-999	○	12	135	1.62	4500	23.5	0.21	33.5	57.0	2
EB60251S2-000U-999	○	12	89	1.07	3800	19.3	0.15	29.0	57.0	3
EB60251S3-000U-999	○	12	64	0.77	3100	16.0	0.10	21.0	57.0	4
EB60252S1-000U-999	○	24	75	1.80	4500	23.5	0.21	33.5	57.0	2
EB60252S2-000U-999	○	24	48	1.16	3800	19.3	0.15	29.0	57.0	3
EB60252S3-000U-999	○	24	35	0.84	3100	16.0	0.10	21.0	57.0	4

Air Flow-Static Pressure Characteristics



External dimensions(mm)



*All model could be customized. Please contact with Sunon Sales.

*Specifications are subject to change without notice. Please Visit SUNON website at www.sunon.com for update information.

X-ON Electronics

Largest Supplier of Electrical and Electronic Components

Click to view similar products for [Sunon](#) manufacturer:

Other Similar products are found below :

[16ME100CZ](#) [16ME1800WG](#) [16ME6800CA](#) [A100-06](#) [A100-10](#) [A100-10P](#) [A100-20](#) [A1123-HBT.GN](#) [A1123-HST.GN](#) [A1175-HBL.TC.GN](#)
[A1175HBT-TC.GN](#) [A1175-HBT.TC.GN](#) [A1179-HBL.TC.GN](#) [A1259-MBT TC.GN](#) [A1259XBL-TC.GN](#) [A2-10.GN](#) [A2123-HBL.GN](#) [A2123-](#)
[HBT.\(7\).GN](#) [A2123HBT.GN](#) [A2123-HST.\(7\).GN](#) [A2123HST.GN](#) [A2175-HBL.TC.GN](#) [A2175-HBL TC GN](#) [A2175-HBL TC.R GN](#) [A2175-](#)
[HBL.T.GN](#) [A2175-HBT.TC.GN](#) [A2175-HBT TC GN](#) [A2175HBT-TC.R.GN](#) [A2175-HBT TC.R GN](#) [A2179HBT.TC.GN](#) [A2-20.GN](#)
[A2259HBT.TC.GN](#) [A2259-MBT TC.GN](#) [A45-03](#) [A45-06](#) [A90-10](#) [AB1123HBT-GN](#) [AB1123-HST.GN](#) [AB2123-HBL.GN](#) [B2-03](#) [B2-10](#)
[B2-20](#) [C2-10](#) [C2-20](#) [CF2207LBL-000U-HB9](#) [CF2207LBL-000U-HE9](#) [CF4113HBL-000U-AB9](#) [CF4113HBL-000U-ABD](#) [CF4113HBL-](#)
[000U-AED](#) [CF4113HBT-000U-A99](#)