

AC Axial Fan & Blower



*All products are **RoHS** compliance.



SUNON®

Sunon AC Axial Fan & Blower

| | | | Page |
|----------------------------|-----------------------------------|----------------|---------|
| Engineering Information | | | page 02 |
| Fan Model Numbering System | | | page 04 |
| | | | |
| AC Fan Series | | Air Flow (CFM) | |
| NEW | 60x60x25mm (MagLev Motor AC Fan) | 17.5~18 | page 05 |
| NEW | 70x70x25mm (MagLev Motor AC Fan) | 28~29 | page 06 |
| NEW | 80x80x25 mm (MagLev Motor AC Fan) | 40~41 | page 07 |
| | 80x80x25mm | 17~22 | page 08 |
| | 80x80x38mm | 23~31 | page 09 |
| NEW | 92x92x25mm (MagLev Motor AC Fan) | 52~54 | page 10 |
| | 92x92x25mm | 21~37 | page 11 |
| | 120x120x25mm (115V) | 46~80 | page 12 |
| | 120x120x25mm (220-240V) | 46~80 | page 13 |
| | 120x120x38mm (115V)? | 70~117 | page 14 |
| | 120x120x38mm (220-240V) | 70~117 | page 15 |
| | 120x120x38mm (Plastic Frame) | 85~100 | page 16 |
| NEW | 120x120x38mm (New Type) | 95~117 | page 17 |
| | 120x120x38mm (Dual AC Voltage) | 95~115 | page 18 |
| | 171x151x51mm | 180~200 | page 19 |
| | 171x151x51mm (Alveolate Motor) | 203~239 | page 20 |
| | ∅171x51mm (Alveolate Motor) | 203~239 | page 21 |
| | 176x176x89mm (Alveolate Motor) | 315~355 | page 22 |
| NEW | ∅254x89mm (Alveolate Motor) | 425~870 | page 23 |
| | 120x120x31mm (Blower) | 20~22 | Page 24 |

Certification



Safety

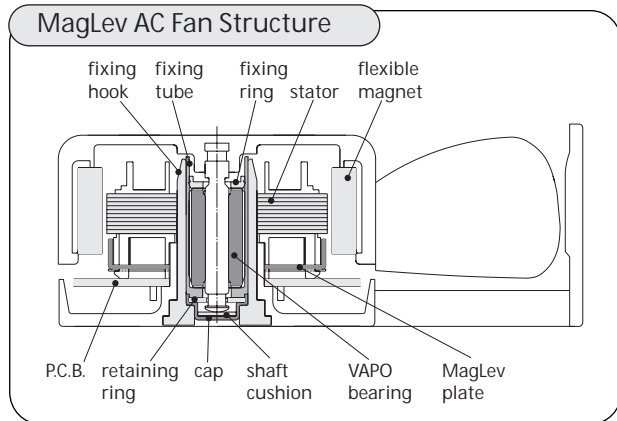


C **US** VDE-Reg-Nr.1350

MagLev Frequency-Switching Motor (MagLev AC Fan)

 Low Power Consumption  Super High Airflow  Smart Multi-functional Controls

Sunon MagLev AC Fans with MagLev Frequency-Switching Motors, not only contain the three features of low noise, high temperature endurance, and super long life inherited from the MagLev motor design, but also are superior in low power consumption, super high airflow, and smart multi-functional controls. By adopting the design principle of frequency-switching circuit controls, Sunon MagLev AC Fans are the best solution for AC-powered cooling.



MagLev AC Fans compared with conventional AC fans

MagLev AC Fan

1. Due to the patented design, Sunon MagLev AC Fan's hub area is significantly reduced, yielding a larger impeller which can offer double the airflow of conventional AC fans.
2. Rotational speed can be adjusted per customer's requirement.
3. Frequency-switching circuit design can reduce the power consumption to less than half that of conventional AC fans. With an input voltage of 115V/50Hz, the 80mm AC fans offer power consumptions of only 3.6W.
4. Provides output signal for rotational speed detection.
5. The MagLev design, with its compact size features low noise.
6. By rotating with full exertion in a fixed operational orbit, the MagLev AC fan eliminates vibration and prolongs lifespan.
7. MagLev AC Fans with its novel technology goes beyond the norm and provides unlimited possibilities for customers' future demands.

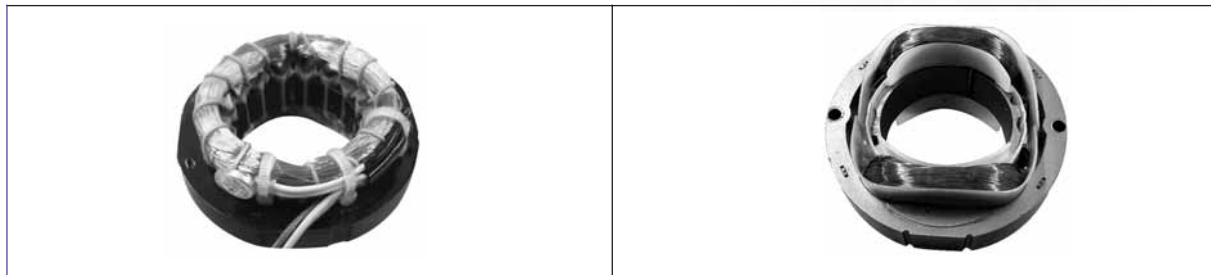
Conventional AC fan

1. Limited by the motor-wire wrapping process, the resulting motor hube is larger than MagLev AC fans.
2. Limited rotational speed, can't adjust to customers demand for the highest rotational speed.
3. When directly connected to AC power supplies, the power consumption is higher.
4. It's difficult for conventional motor design to provide output signal for torational speed detection.
5. Conventional AC fans have encountered a bottleneck in their technical development, and therefore it is difficult to make any further break through.

Alveolate Motor AC fan series with automatic motor-wire wrapping technology ensures stable performance of high wind volume, low acoustic noise, also available with functions of dual spinning rate, and thermal cutout.



SUNON-Alveolate Motor VS. Traditional Shaded-Pole Motor



| SUNON-Alveolate Motor | Traditional Shaded-Pole Motor |
|---|--|
| 1. The Alveolate Motor is equipped with starting stator coils and working ones. The starting coils form a low starting voltage with the capacitors. For example, an 115VAC (the fixed voltage) Alveolate Motor can be started with 60VAC. | 1. The Traditional Shaded-Pole Motor, designed with single-wire wrapping, is started by "the starting copper" and cannot be started with low voltage. An 115VAC Traditional Shaded-Pole motor will need more than 80VAC to run, 20VAC more than the Alveolate one. |
| 2. The coils do not produce high temperature and consumes less electricity. The temperature is normally around 50°C. Therefore, the motor is always stable and reliable. | 2. The Traditional Shaded-Pole Motor consumes electricity twice as much as the Alveolate Motor. It is not reliable because the temperature is usually higher than 70°C. |
| 3. The Thermal Cutout can protect the motor. | 3. The Thermal Cutout is an option. |
| 4. The motor has a large torsion to produce high wind pressure and wind volume. | 4. General wind pressure and wind volume. |
| 5. The motor is equipped with the third wire, ready to comply with the customer's systems. | 5. Without the third wire. |

General AC Fan

Ex) **SF11580AT 1 08 2 H B L .GN**

MODEL SERIES

SFxxx
SPxxx
DPxxx

VOLTAGE

1 : 115 VAC
2 : 220 -240 VAC

FRAME SIZE

08 : 80 mm
09 : 92 mm
12 : 120 mm

FRAME THICKNESS

2 : 25 mm
3 : 38 mm

RoHS Compliance

TERMINALS

T : Terminal
L : Lead wire

BEARING SYSTEM

B : Ball
S : Sleeve

SPEED

X : Super
H : High
M : Middle
L : Low

New Type AC Fan

Ex) **A 1 17 5 - H B T**

MODEL SERIES

A : New AC fan series
AB : New AC blower series
MA : MagLev AC Fan series

VOLTAGE

1 : 115 VAC 3 : 380 VAC
2 : 220-240 VAC

FRAME SIZE

08 : 80 mm 17 : 172 mm
09 : 92 mm 25 : 254 mm
12 : 120 mm

FRAME THICKNESS

2 : 25 mm 7 : 72 mm
3 : 31~38mm 9 : 89~90mm
5 : 50~51 mm

TERMINALS

T : Terminal
L : Lead wire

BEARING SYSTEM

V : MagLev
S : Sleeve
B : Ball

SPEED

X : Super
H : High
M : Middle
L : Low

P/N

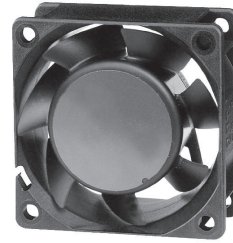
P/N Suffixes have the following significance :

- T : Thermal Cutout
- C : Capacitor
- TC : Alveolate Motor with Thermal Cutout and Capacitor
- TC.R : Round Frame , Alveolate Motor with Thermal Cutout and Capacitor
- N : New frame
- GN : RoHS compliance

* Alveolate Motor only available in P/N : TC model

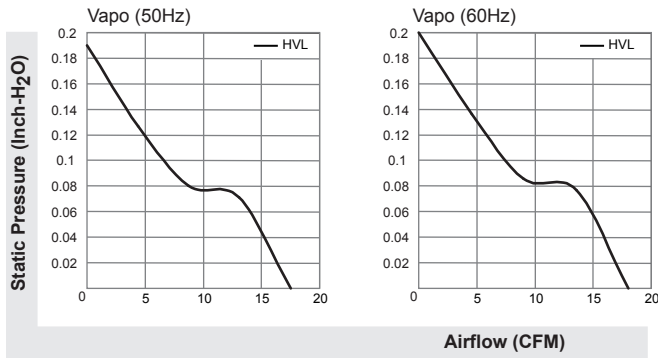
MagLev Motor AC Fan

17.5-18 CFM

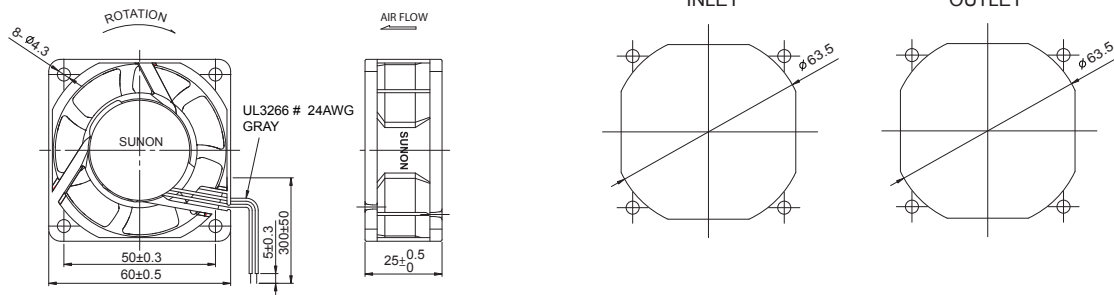


| Model | P/N | Bearing ● VAPO ○ BALL ◎ Sleeve | Rating Voltage (VAC) | Freq. (Hz) | Power Current (AMP) | Power Consumption (WATTS) | Speed (RPM) | Air Flow (CFM) | Static Pressure (Inch-H ₂ O) | Noise (dBA) | Weight (g) |
|------------|-----|---|-------------------------|---------------|------------------------|------------------------------|----------------|-------------------|--|----------------|---------------|
| MA1062-HVL | GN | ● | 115 | 50/60 | 0.191/0.185 | 3.6/3.6 | 4100/4200 | 17.5/18 | 0.19/0.20 | 30/31 | 81 |
| MA2062-HVL | GN | ● | 220-240 | 50/60 | 0.198/0.211 | 4.1/4.4 | 4100/4200 | 17.5/18 | 0.19/0.20 | 30/31 | 81 |

Frame : PBT Plastic



UNITS:mm

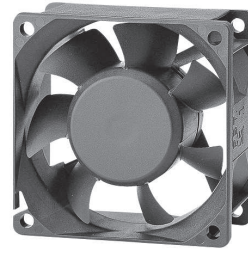


*All model could be customized on voltage or any other requirements to fit your need.

*Specifications subject to change without notice. Please Visit SUNON web site at <http://www.sunon.com> for update information.

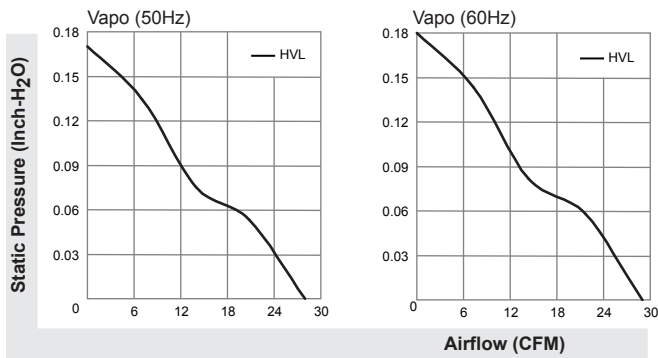
MagLev Motor AC Fan

28-29 CFM

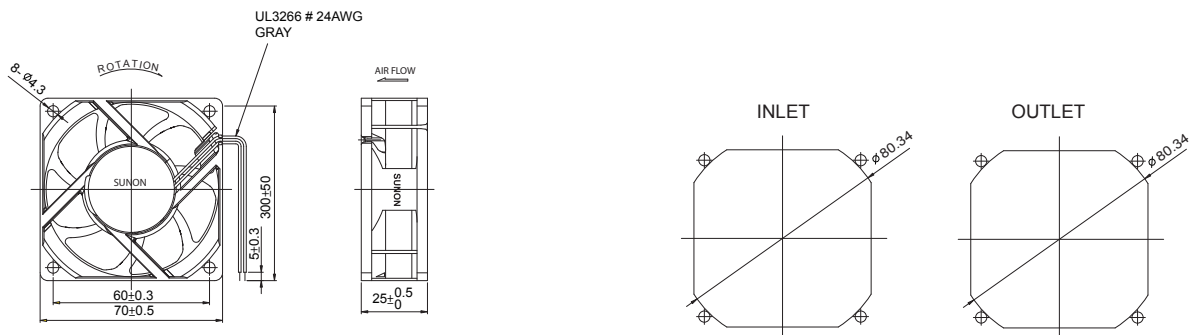


| Model | P/N | Bearing | Rating Voltage (VAC) | Freq. (Hz) | Power Current (AMP) | Power Consumption (WATTS) | Speed (RPM) | Air Flow (CFM) | Static Pressure (Inch-H ₂ O) | Noise (dBA) | Weight (g) |
|------------|-----|------------------------------|----------------------|------------|---------------------|---------------------------|-------------|----------------|---|-------------|------------|
| MA1072-HVL | GN | ● Vapo ○ BALL ◎ Sleeve | 115 | 50/60 | 0.208/0.197 | 3.7/3.7 | 3800/3900 | 28/29 | 0.17/0.18 | 30/31 | 90 |
| MA2072-HVL | GN | ● | 220-240 | 50/60 | 0.207/0.220 | 4.3/4.4 | 3800/3900 | 28/29 | 0.17/0.18 | 30/31 | 90 |

Frame : PBT Plastic



UNITS:mm



*All model could be customized on voltage or any other requirements to fit your need.

*Specifications subject to change without notice. Please Visit SUNON web site at <http://www.sunon.com> for update information.

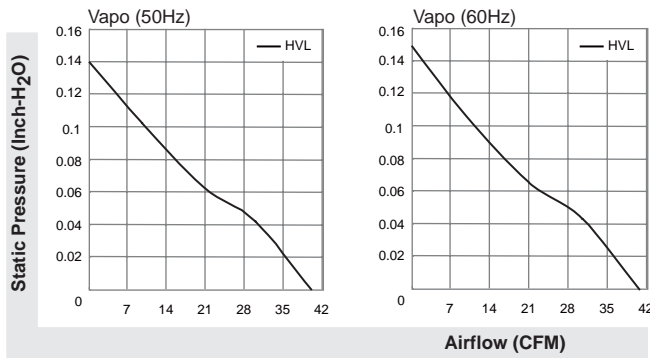
MagLev Motor AC Fan

40-41 CFM

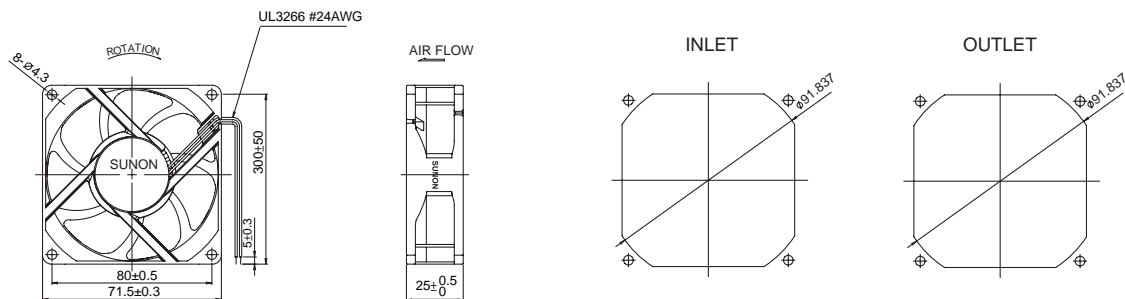


| Model | P/N | Bearing | Rating Voltage (VAC) | Freq. (Hz) | Power Current (AMP) | Power Consumption (WATTS) | Speed (RPM) | Air Flow (CFM) | Static Pressure (Inch-H ₂ O) | Noise (dBA) | Weight (g) |
|------------|-----|------------------------------|----------------------|------------|---------------------|---------------------------|-------------|----------------|---|-------------|------------|
| MA1082-HVL | GN | ● Vapo ○ BALL ◎ Sleeve | 115 | 50/60 | 0.112/0.116 | 3.6/3.6 | 3200/3300 | 40/41 | 0.14/0.15 | 32/33 | 102.2 |
| MA2082-HVL | GN | ● | 220-240 | 50/60 | 0.102/0.101 | 4.6/4.6 | 3200/3300 | 40/41 | 0.14/0.15 | 32/33 | 102.2 |

Frame : PBT Plastic



UNITS:mm



*All model could be customized on voltage or any other requirements to fit your need.

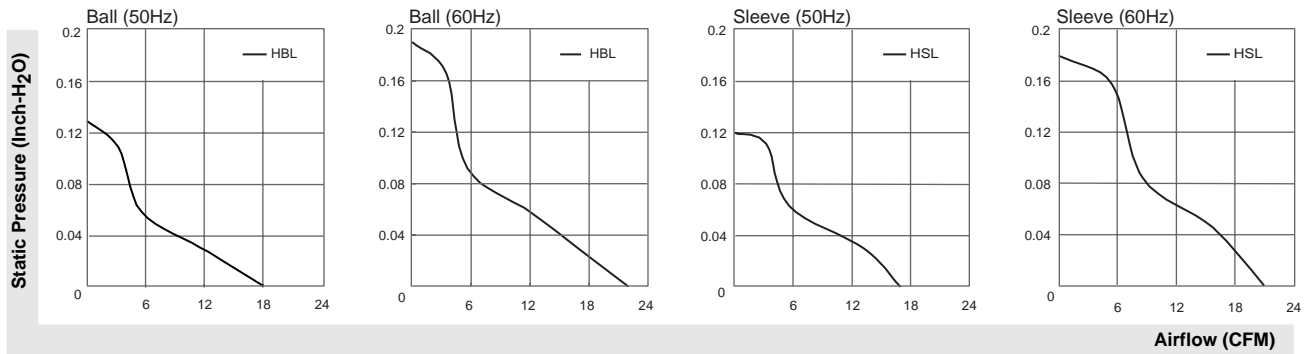
*Specifications subject to change without notice. Please Visit SUNON web site at <http://www.sunon.com> for update information.

17-22CFM

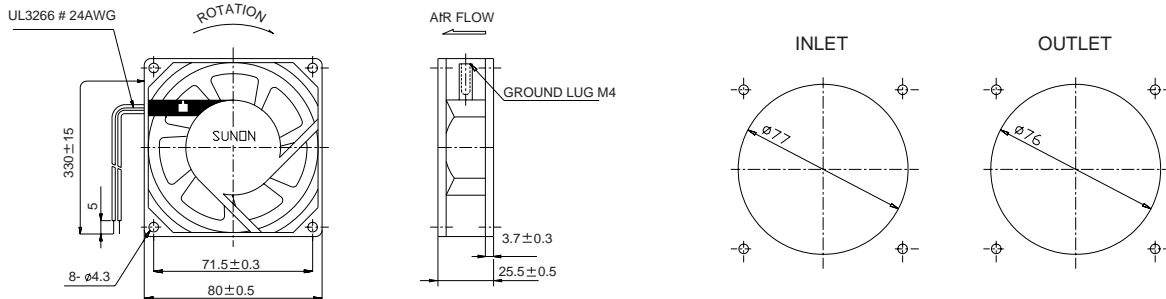


| Model | P/N | Bearing | Rating Voltage (VAC) | Freq. (Hz) | Power Current (AMP) | Power Consumption (WATTS) | Speed (RPM) | Air Flow (CFM) | Static Pressure (Inch-H ₂ O) | Noise (dBA) | Weight (g) |
|-----------|------------|----------|----------------------|------------|---------------------|---------------------------|-------------|----------------|---|-------------|------------|
| SF11580AT | 1082HSL.GN | ● VAPO | 115 | 50/60 | 0.12/0.10 | 12/11 | 2300/2750 | 17/21 | 0.12/0.18 | 29/33 | 260 |
| SF11580AT | 1082HBL.GN | ○ BALL | 115 | 50/60 | 0.12/0.10 | 12/11 | 2450/2900 | 18/22 | 0.13/0.19 | 30/34.5 | 260 |
| SF23080AT | 2082HSL.GN | ⊙ Sleeve | 220-240 | 50/60 | 0.07/0.07 | 14/13.5 | 2300/2750 | 17/21 | 0.12/0.18 | 29/33 | 260 |
| SF23080AT | 2082HBL.GN | ○ BALL | 220-240 | 50/60 | 0.07/0.07 | 14/13.5 | 2450/2900 | 18/22 | 0.13/0.19 | 30/34.5 | 260 |

Frame : Aluminum alloy



UNITS:mm



*All model could be customized on voltage or any other requirements to fit your need.

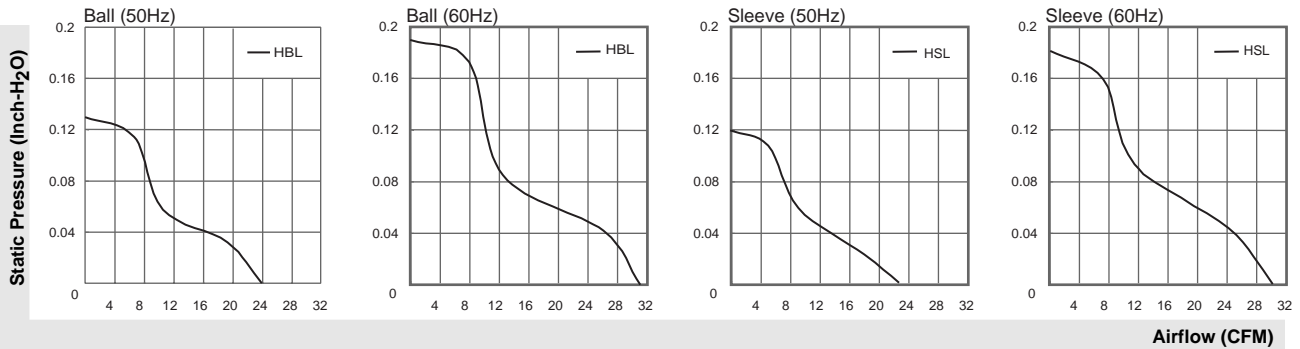
*Specifications subject to change without notice. Please Visit SUNON web site at <http://www.sunon.com> for update information.

23-31CFM

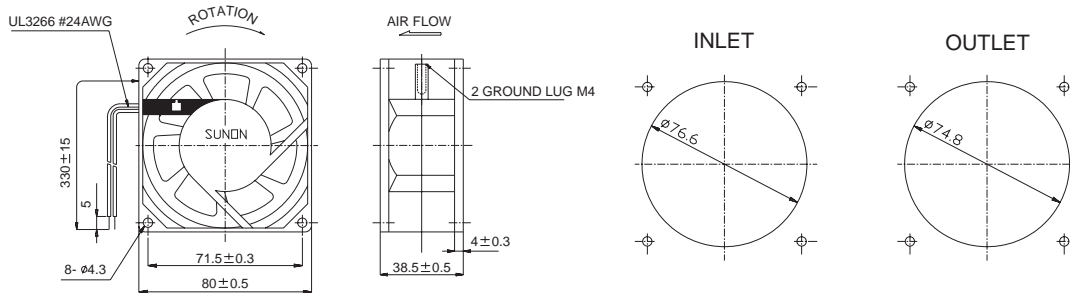


| Model | P/N | Bearing | Rating Voltage (VAC) | Freq. (Hz) | Power Current (AMP) | Power Consumption (WATTS) | Speed (RPM) | Air Flow (CFM) | Static Pressure (Inch-H ₂ O) | Noise (dBA) | Weight (g) |
|----------|------------|---------|----------------------|------------|---------------------|---------------------------|-------------|----------------|---|-------------|------------|
| SF11580A | 1083HSL.GN | ⊙ | 115 | 50/60 | 0.15/0.13 | 14/12 | 2300/2750 | 23/30 | 0.12/0.18 | 31/35 | 340 |
| SF11580A | 1083HBL.GN | ○ | 115 | 50/60 | 0.15/0.13 | 14/12 | 2400/2850 | 24/31 | 0.13/0.19 | 32/36.5 | 340 |
| SF23080A | 2083HSL.GN | ⊙ | 220-240 | 50/60 | 0.09/0.08 | 18/16 | 2300/2750 | 23/30 | 0.12/0.18 | 31/35 | 340 |
| SF23080A | 2083HBL.GN | ○ | 220-240 | 50/60 | 0.09/0.08 | 18/16 | 2400/2850 | 24/31 | 0.13/0.19 | 32/36.5 | 340 |

Frame : Aluminum alloy



UNITS:mm



*All model could be customized on voltage or any other requirements to fit your need.

*Specifications subject to change without notice. Please Visit SUNON web site at <http://www.sunon.com> for update information.

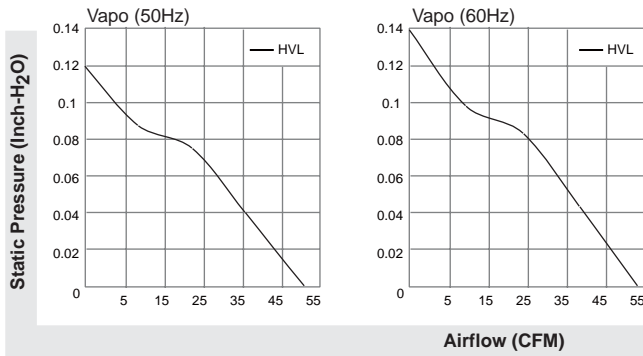
MagLev Motor AC Fan

52-54 CFM

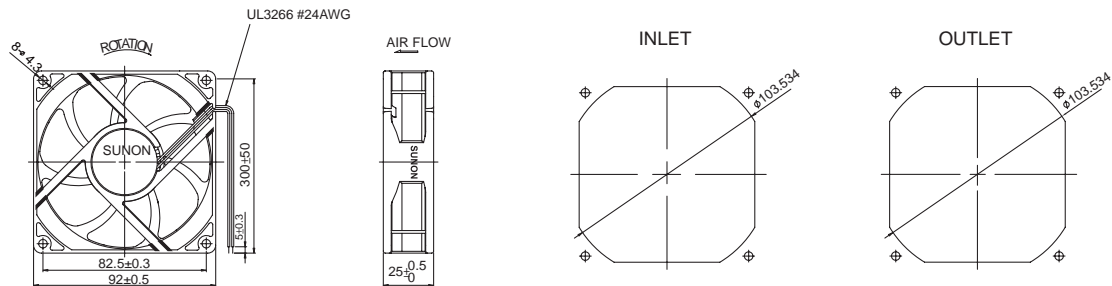


| Model | P/N | Bearing ● VAPO ○ BALL ◎ Sleeve | Rating Voltage (VAC) | Freq. (Hz) | Power Current (AMP) | Power Consumption (WATTS) | Speed (RPM) | Air Flow (CFM) | Static Pressure (Inch-H ₂ O) | Noise (dBA) | Weight (g) |
|------------|-----|---|----------------------|------------|---------------------|---------------------------|-------------|----------------|---|-------------|------------|
| MA1092-HVL | GN | ● | 115 | 50/60 | 0.114/0.118 | 3.6/3.6 | 2900/3000 | 52/54 | 0.12/0.14 | 31/32 | 119.7 |
| MA2092-HVL | GN | ● | 220-240 | 50/60 | 0.103/0.106 | 4.6/4.6 | 2900/3000 | 52/54 | 0.12/0.14 | 31/32 | 119.7 |

Frame : PBT Plastic



UNITS:mm



*All model could be customized on voltage or any other requirements to fit your need.

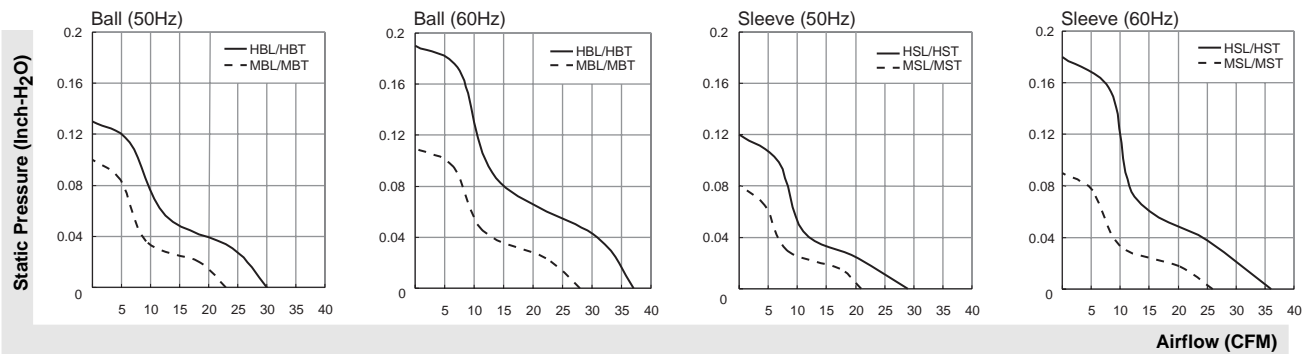
*Specifications subject to change without notice. Please Visit SUNON web site at <http://www.sunon.com> for update information.

21-37 CFM

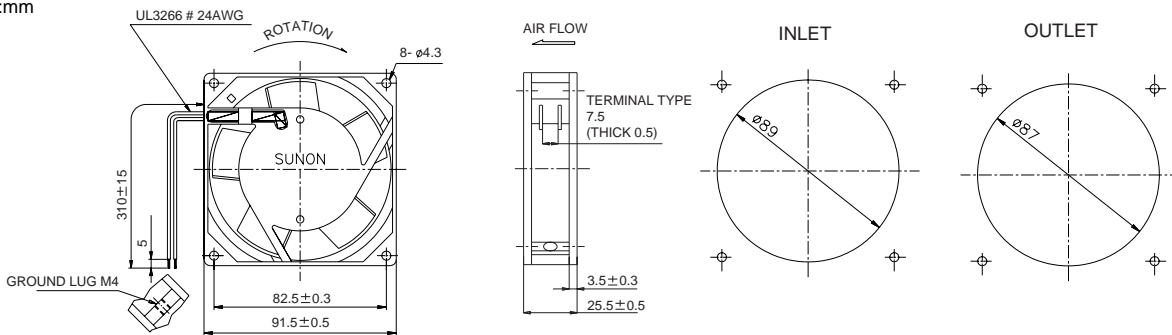


| Model | P/N | Bearing | Rating Voltage (VAC) | Freq. (Hz) | Power Current (AMP) | Power Consumption (WATTS) | Speed (RPM) | Air Flow (CFM) | Static Pressure (Inch-H ₂ O) | Noise (dBA) | Weight (g) |
|----------|------------|---------|----------------------|------------|---------------------|---------------------------|-------------|----------------|---|-------------|------------|
| SF11592A | 1092HSL.GN | ⊙ | 115 | 50/60 | 0.12/0.11 | 13/12 | 2250/2750 | 29/36 | 0.12/0.18 | 36/39 | 280 |
| SF11592A | 1092HST.GN | ⊙ | 115 | 50/60 | 0.12/0.11 | 13/12 | 2250/2750 | 29/36 | 0.12/0.18 | 36/39 | 280 |
| SF11592A | 1092MSL.GN | ⊙ | 115 | 50/60 | 0.06/0.06 | 7/6 | 1550/1700 | 21/26 | 0.08/0.09 | 28/30 | 280 |
| SF11592A | 1092MST.GN | ⊙ | 115 | 50/60 | 0.06/0.06 | 7/6 | 1550/1700 | 21/26 | 0.08/0.09 | 28/30 | 280 |
| SF11592A | 1092HBL.GN | ○ | 115 | 50/60 | 0.12/0.11 | 13/12 | 2350/2850 | 30/37 | 0.13/0.19 | 37/40 | 280 |
| SF11592A | 1092HBT.GN | ○ | 115 | 50/60 | 0.12/0.11 | 13/12 | 2350/2850 | 30/37 | 0.13/0.19 | 37/40 | 280 |
| SF11592A | 1092MBL.GN | ○ | 115 | 50/60 | 0.07/0.06 | 7/6 | 1800/2100 | 23/28 | 0.10/0.11 | 31/33 | 280 |
| SF11592A | 1092MBT.GN | ○ | 115 | 50/60 | 0.07/0.06 | 7/6 | 1800/2100 | 23/28 | 0.10/0.11 | 31/33 | 280 |
| SF23092A | 2092HSL.GN | ⊙ | 220-240 | 50/60 | 0.07/0.06 | 14.5/14 | 2250/2750 | 29/36 | 0.12/0.18 | 36/39 | 280 |
| SF23092A | 2092HST.GN | ⊙ | 220-240 | 50/60 | 0.07/0.06 | 14.5/14 | 2250/2750 | 29/36 | 0.12/0.18 | 36/39 | 280 |
| SF23092A | 2092MSL.GN | ⊙ | 220-240 | 50/60 | 0.07/0.07 | 15/14 | 2000/2500 | 27/33 | 0.11/0.16 | 32/37 | 280 |
| SF23092A | 2092MST.GN | ⊙ | 220-240 | 50/60 | 0.07/0.07 | 15/14 | 2000/2500 | 27/33 | 0.11/0.16 | 32/37 | 280 |
| SF23092A | 2092HBL.GN | ○ | 220-240 | 50/60 | 0.07/0.06 | 14.5/14 | 2350/2850 | 30/37 | 0.13/0.19 | 37/40 | 280 |
| SF23092A | 2092HBT.GN | ○ | 220-240 | 50/60 | 0.07/0.06 | 14.5/14 | 2350/2850 | 30/37 | 0.13/0.19 | 37/40 | 280 |
| SF23092A | 2092MBL.GN | ○ | 220-240 | 50/60 | 0.07/0.07 | 15/14 | 2200/2700 | 28/35 | 0.12/0.18 | 35/38 | 280 |
| SF23092A | 2092MBT.GN | ○ | 220-240 | 50/60 | 0.07/0.07 | 15/14 | 2200/2700 | 28/35 | 0.12/0.18 | 35/38 | 280 |

Frame : Aluminum alloy



UNITS:mm



*All model could be customized on voltage or any other requirements to fit your need.

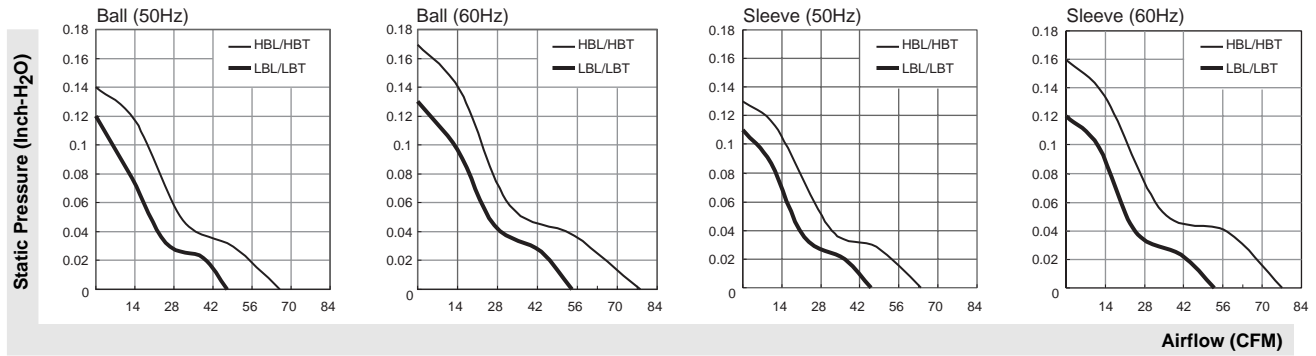
*Specifications subject to change without notice. Please Visit SUNON web site at <http://www.sunon.com> for update information.

46-80 CFM

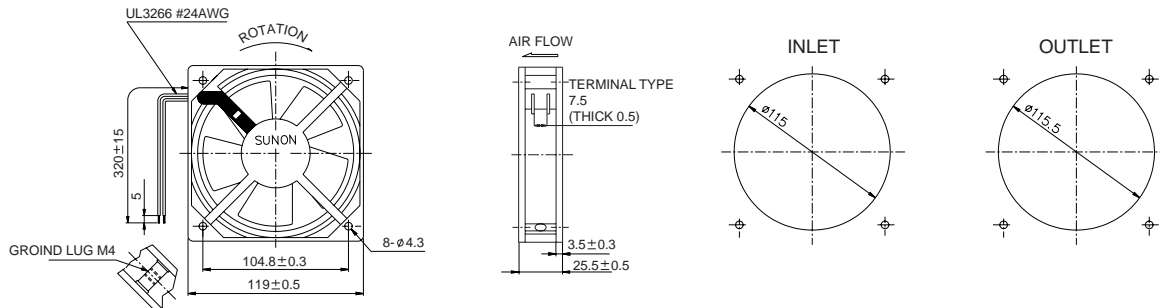


| Model | P/N | Bearing | Rating Voltage (VAC) | Freq. (Hz) | Power Current (AMP) | Power Consumption (WATTS) | Speed (RPM) | Air Flow (CFM) | Static Pressure (Inch-H ₂ O) | Noise (dBA) | Weight (g) |
|---------|------------|---------|----------------------|------------|---------------------|---------------------------|-------------|----------------|---|-------------|------------|
| SP101AT | 1122HSL.GN | ⊙ | 115 | 50/60 | 0.21/0.19 | 19/18 | 2000/2300 | 64/78 | 0.13/0.16 | 43/46 | 330 |
| SP101AT | 1122HST.GN | ⊙ | 115 | 50/60 | 0.21/0.19 | 19/18 | 2000/2300 | 64/78 | 0.13/0.16 | 43/46 | 330 |
| SP103AT | 1122LSL.GN | ⊙ | 115 | 50/60 | 0.14/0.13 | 14/13 | 1600/1800 | 46/53 | 0.11/0.12 | 35/38 | 330 |
| SP103AT | 1122LST.GN | ⊙ | 115 | 50/60 | 0.14/0.13 | 14/13 | 1600/1800 | 46/53 | 0.11/0.12 | 35/38 | 330 |
| SP101AT | 1122HBL.GN | ○ | 115 | 50/60 | 0.21/0.19 | 19/18 | 2150/2500 | 66/80 | 0.14/0.17 | 44/48 | 330 |
| SP101AT | 1122HBT.GN | ○ | 115 | 50/60 | 0.21/0.19 | 19/18 | 2150/2500 | 66/80 | 0.14/0.17 | 44/48 | 330 |
| SP103AT | 1122LBL.GN | ○ | 115 | 50/60 | 0.12/0.11 | 12.5/11.5 | 1700/1900 | 47/54 | 0.12/0.13 | 37/40 | 330 |
| SP103AT | 1122LBT.GN | ○ | 115 | 50/60 | 0.12/0.11 | 12.5/11.5 | 1700/1900 | 47/54 | 0.12/0.13 | 37/40 | 330 |

Frame : Aluminum alloy



UNITS:mm



*All model could be customized on voltage or any other requirements to fit your need.

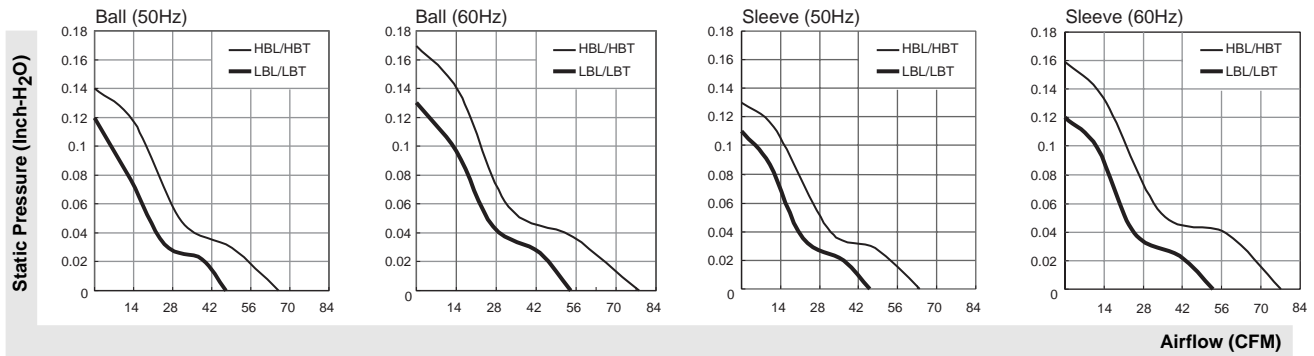
*Specifications subject to change without notice. Please Visit SUNON web site at <http://www.sunon.com> for update information.

46-80 CFM

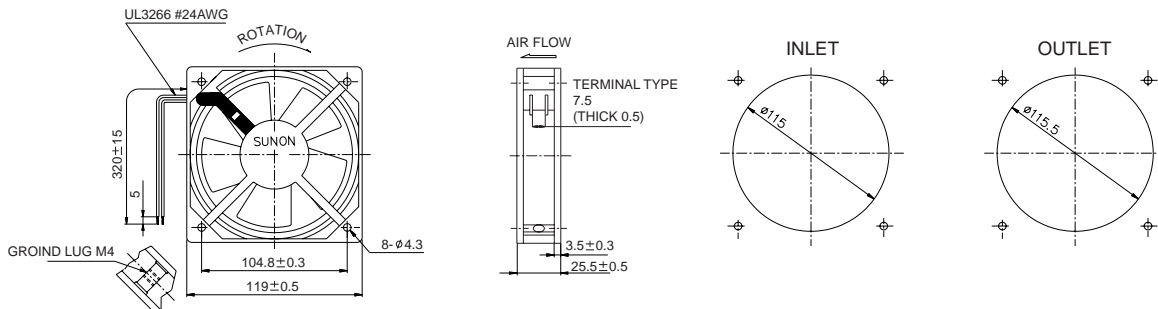


| Model | P/N | Bearing | Rating Voltage (VAC) | Freq. (Hz) | Power Current (AMP) | Power Consumption (WATTS) | Speed (RPM) | Air Flow (CFM) | Static Pressure (Inch-H ₂ O) | Noise (dBA) | Weight (g) |
|---------|------------|---------|----------------------|------------|---------------------|---------------------------|-------------|----------------|---|-------------|------------|
| DP201AT | 2122HSL.GN | ⊙ | 220-240 | 50/60 | 0.10/0.09 | 19/19 | 2000/2300 | 64/78 | 0.13/0.16 | 43/46 | 330 |
| DP201AT | 2122HST.GN | ⊙ | 220-240 | 50/60 | 0.10/0.09 | 19/19 | 2000/2300 | 64/78 | 0.13/0.16 | 43/46 | 330 |
| DP203AT | 2122LSL.GN | ⊙ | 220-240 | 50/60 | 0.07/0.07 | 14/13 | 1600/1800 | 46/53 | 0.11/0.12 | 35/38 | 330 |
| DP203AT | 2122LST.GN | ⊙ | 220-240 | 50/60 | 0.07/0.07 | 14/13 | 1600/1800 | 46/53 | 0.11/0.12 | 35/38 | 330 |
| DP201AT | 2122HBL.GN | ○ | 220-240 | 50/60 | 0.10/0.09 | 19/18 | 2150/2500 | 66/80 | 0.14/0.17 | 44/48 | 330 |
| DP201AT | 2122HBT.GN | ○ | 220-240 | 50/60 | 0.10/0.09 | 19/18 | 2150/2500 | 66/80 | 0.14/0.17 | 44/48 | 330 |
| DP203AT | 2122LBL.GN | ○ | 220-240 | 50/60 | 0.07/0.07 | 14/13 | 1700/1900 | 47/54 | 0.12/0.13 | 37/40 | 330 |
| DP203AT | 2122LBT.GN | ○ | 220-240 | 50/60 | 0.07/0.07 | 14/13 | 1700/1900 | 47/54 | 0.12/0.13 | 37/40 | 330 |

Frame : Aluminum alloy



UNITS:mm



*All model could be customized on voltage or any other requirements to fit your need.

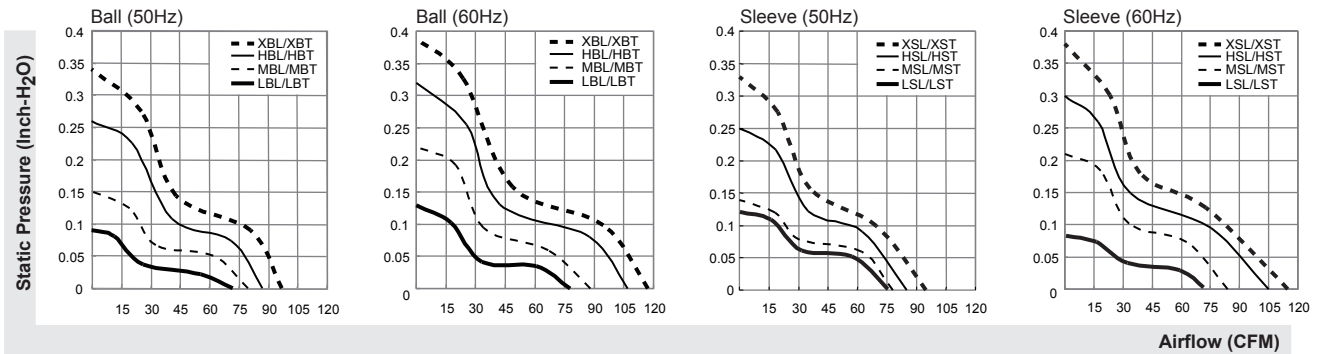
*Specifications subject to change without notice. Please Visit SUNON web site at <http://www.sunon.com> for update information.

70-117CFM

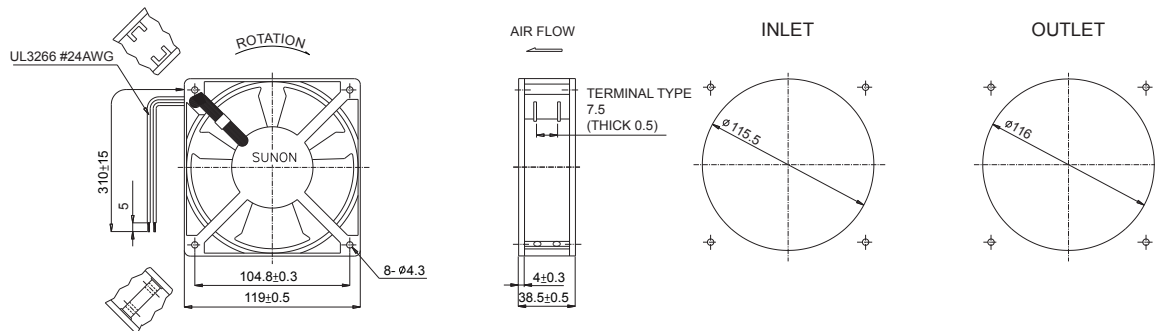


| Model | P/N | Bearing ● VAPO ○ BALL ◎ Sleeve | Rating Voltage (VAC) | Freq. (Hz) | Power Current (AMP) | Power Consumption (WATTS) | Speed (RPM) | Air Flow (CFM) | Static Pressure (Inch-H ₂ O) | Noise (dBA) | Weight (g) |
|--------|------------|---|-------------------------|---------------|------------------------|------------------------------|----------------|-------------------|--|----------------|---------------|
| | | | | | | | | | | | |
| SP100A | 1123XSL.GN | ◎ | 115 | 50/60 | 0.26/0.24 | 22/20 | 2700/3100 | 95/115 | 0.33/0.38 | 44/49 | 550 |
| SP100A | 1123XST.GN | ◎ | 115 | 50/60 | 0.26/0.24 | 22/20 | 2700/3100 | 95/115 | 0.33/0.38 | 44/49 | 550 |
| SP101A | 1123HSL.GN | ◎ | 115 | 50/60 | 0.21/0.18 | 20/18 | 2550/2900 | 85/105 | 0.25/0.30 | 43/48 | 550 |
| SP101A | 1123HST.GN | ◎ | 115 | 50/60 | 0.21/0.18 | 20/18 | 2550/2900 | 85/105 | 0.25/0.30 | 43/48 | 550 |
| SP102A | 1123MSL.GN | ◎ | 115 | 50/60 | 0.17/0.16 | 15/15 | 2400/2600 | 78/84 | 0.14/0.21 | 33/38 | 550 |
| SP102A | 1123MST.GN | ◎ | 115 | 50/60 | 0.17/0.16 | 15/15 | 2400/2600 | 78/84 | 0.14/0.21 | 33/38 | 550 |
| SP103A | 1123LSL.GN | ◎ | 115 | 50/60 | 0.11/0.13 | 11/11 | 2200/2000 | 76/70 | 0.12/0.08 | 38/36 | 550 |
| SP103A | 1123LST.GN | ◎ | 115 | 50/60 | 0.11/0.13 | 11/11 | 2200/2000 | 76/70 | 0.12/0.08 | 38/36 | 550 |
| SP100A | 1123XBL.GN | ○ | 115 | 50/60 | 0.26/0.24 | 22/20 | 2850/3150 | 97/117 | 0.34/0.39 | 45/50 | 550 |
| SP100A | 1123XBT.GN | ○ | 115 | 50/60 | 0.26/0.24 | 22/20 | 2850/3150 | 97/117 | 0.34/0.39 | 45/50 | 550 |
| SP101A | 1123HBL.GN | ○ | 115 | 50/60 | 0.21/0.18 | 20/18 | 2750/3050 | 87/107 | 0.26/0.32 | 45/50 | 550 |
| SP101A | 1123HBT.GN | ○ | 115 | 50/60 | 0.21/0.18 | 20/18 | 2750/3050 | 87/107 | 0.26/0.32 | 45/50 | 550 |
| SP102A | 1123MBL.GN | ○ | 115 | 50/60 | 0.17/0.16 | 16/15 | 2500/2700 | 80/88 | 0.15/0.22 | 35/40 | 550 |
| SP102A | 1123MBT.GN | ○ | 115 | 50/60 | 0.17/0.16 | 16/15 | 2500/2700 | 80/88 | 0.15/0.22 | 35/40 | 550 |
| SP103A | 1123LBL.GN | ○ | 115 | 50/60 | 0.13/0.11 | 11/11 | 2150/2300 | 72/78 | 0.09/0.13 | 37/39 | 550 |
| SP103A | 1123LBT.GN | ○ | 115 | 50/60 | 0.13/0.11 | 11/11 | 2150/2300 | 72/78 | 0.09/0.13 | 37/39 | 550 |

Frame : Aluminum alloy



UNITS:mm



*All model could be customized on voltage or any other requirements to fit your need.

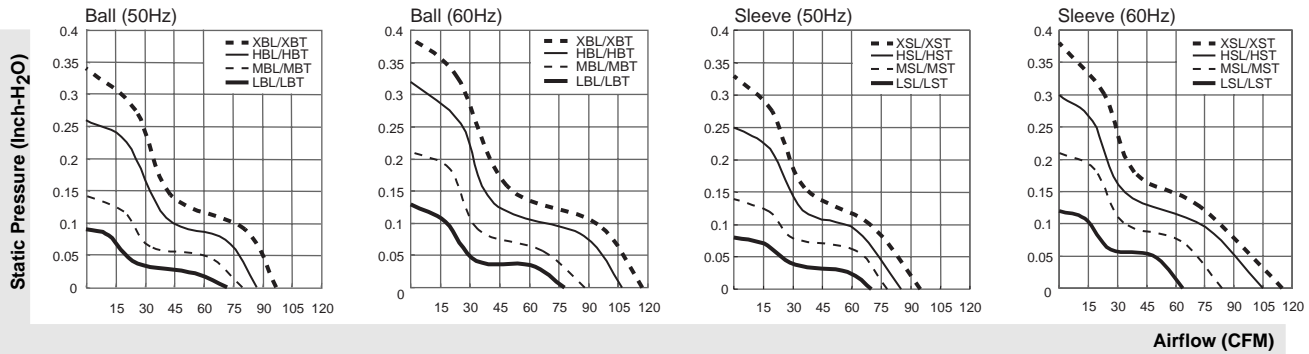
*Specifications subject to change without notice. Please Visit SUNON web site at <http://www.sunon.com> for update information.

70-117CFM

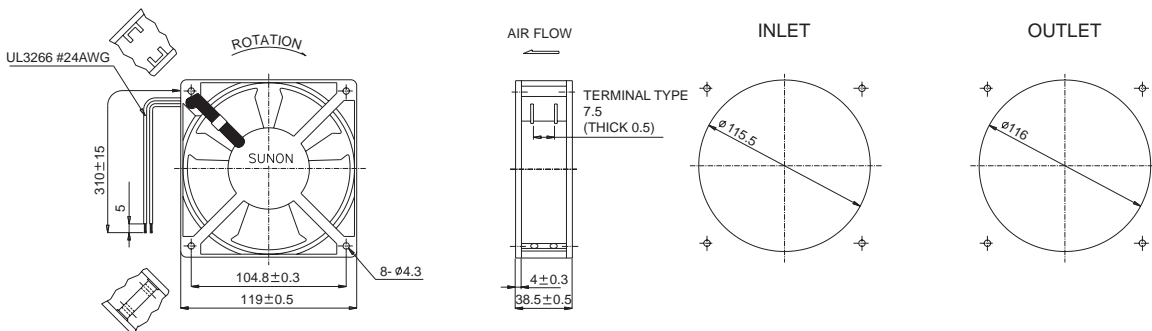


| Model | P/N | Bearing ● VAPO ○ BALL ◎ Sleeve | Rating Voltage (VAC) | Freq. (Hz) | Power Current (AMP) | Power Consumption (WATTS) | Speed (RPM) | Air Flow (CFM) | Static Pressure (Inch-H ₂ O) | Noise (dBA) | Weight (g) |
|--------|------------|---|-------------------------|---------------|------------------------|------------------------------|----------------|-------------------|--|----------------|---------------|
| DP200A | 2123XSL.GN | ◎ | 220-240 | 50/60 | 0.14/0.12 | 22/21 | 2700/3100 | 95/115 | 0.33/0.38 | 44/49 | 550 |
| DP200A | 2123XST.GN | ◎ | 220-240 | 50/60 | 0.14/0.12 | 22/21 | 2700/3100 | 95/115 | 0.33/0.38 | 44/49 | 550 |
| DP201A | 2123HSL.GN | ◎ | 220-240 | 50/60 | 0.125/0.11 | 20/19 | 2550/2900 | 85/105 | 0.25/0.30 | 43/48 | 550 |
| DP201A | 2123HST.GN | ◎ | 220-240 | 50/60 | 0.125/0.11 | 20/19 | 2550/2900 | 85/105 | 0.25/0.30 | 43/48 | 550 |
| DP202A | 2123MSL.GN | ◎ | 220-240 | 50/60 | 0.09/0.08 | 16/15 | 2300/2500 | 78/84 | 0.14/0.21 | 33/38 | 550 |
| DP202A | 2123MST.GN | ◎ | 220-240 | 50/60 | 0.09/0.08 | 16/15 | 2300/2500 | 78/84 | 0.14/0.21 | 33/38 | 550 |
| DP203A | 2123LSL.GN | ◎ | 220-240 | 50/60 | 0.06/0.05 | 11/10 | 2000/1800 | 70/63 | 0.08/0.07 | 36/32 | 550 |
| DP203A | 2123LST.GN | ◎ | 220-240 | 50/60 | 0.06/0.05 | 11/10 | 2000/1800 | 70/63 | 0.08/0.07 | 36/32 | 550 |
| DP200A | 2123XBL.GN | ○ | 220-240 | 50/60 | 0.14/0.12 | 22/21 | 2850/3150 | 97/117 | 0.34/0.39 | 45/50 | 550 |
| DP200A | 2123XBT.GN | ○ | 220-240 | 50/60 | 0.14/0.12 | 22/21 | 2850/3150 | 97/117 | 0.34/0.39 | 45/50 | 550 |
| DP201A | 2123HBL.GN | ○ | 220-240 | 50/60 | 0.125/0.11 | 20/19 | 2750/3050 | 87/107 | 0.26/0.32 | 45/50 | 550 |
| DP201A | 2123HBT.GN | ○ | 220-240 | 50/60 | 0.125/0.11 | 20/19 | 2750/3050 | 87/107 | 0.26/0.32 | 45/50 | 550 |
| DP202A | 2123MBL.GN | ○ | 220-240 | 50/60 | 0.09/0.08 | 16/15 | 2400/2600 | 78/84 | 0.14/0.21 | 34/39 | 550 |
| DP202A | 2123MBT.GN | ○ | 220-240 | 50/60 | 0.09/0.08 | 16/15 | 2400/2600 | 78/84 | 0.14/0.21 | 34/39 | 550 |
| DP203A | 2123LBL.GN | ○ | 220-240 | 50/60 | 0.06/0.05 | 10/10 | 2150/2300 | 72/78 | 0.09/0.13 | 37/39 | 550 |
| DP203A | 2123LBT.GN | ○ | 220-240 | 50/60 | 0.06/0.05 | 10/10 | 2150/2300 | 72/78 | 0.09/0.13 | 37/39 | 550 |

Frame : Aluminum alloy



UNITS:mm



*All model could be customized on voltage or any other requirements to fit your need.

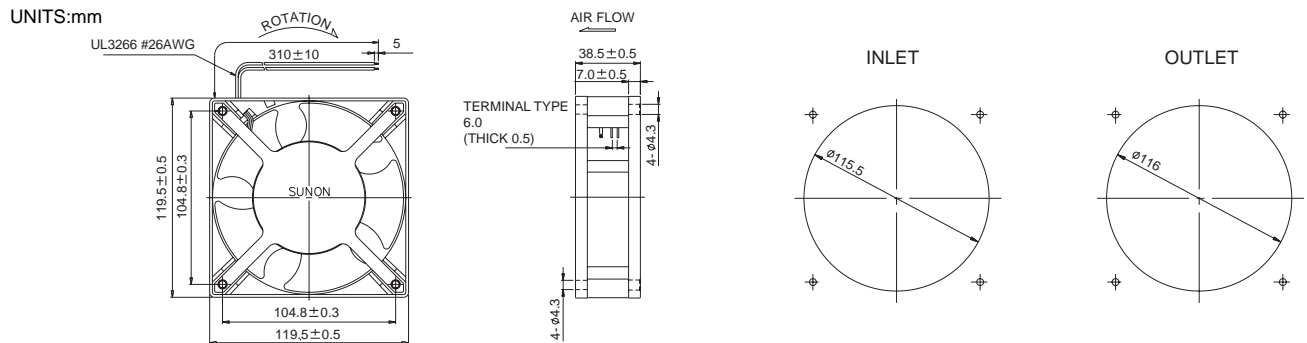
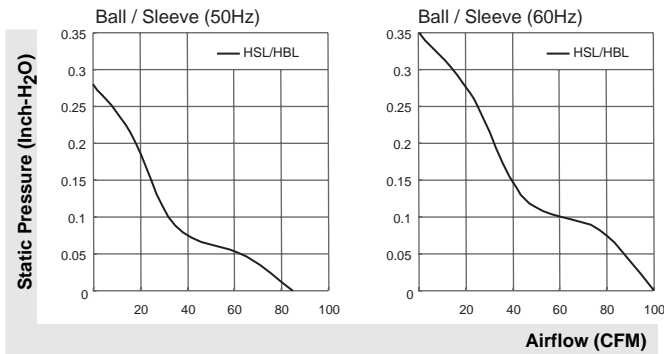
*Specifications subject to change without notice. Please Visit SUNON web site at <http://www.sunon.com> for update information.

85-100 CFM



| Model | P/N | Bearing ● VAPO ○ BALL ⊙ Sleeve | Rating Voltage (VAC) | Freq. (Hz) | Power Current (AMP) | Power Consumption (WATTS) | Speed (RPM) | Air Flow (CFM) | Static Pressure (Inch-H ₂ O) | Noise (dBA) | Weight (g) |
|---------|------------|---|-------------------------|---------------|------------------------|------------------------------|----------------|-------------------|--|----------------|---------------|
| SP109WR | 1123HST.GN | ⊙ | 115 | 50/60 | 0.25/0.22 | 22/20 | 2500/2900 | 85/100 | 0.28/0.35 | 41/47 | 465 |
| SP109WR | 1123HSL.GN | ⊙ | 115 | 50/60 | 0.25/0.22 | 22/20 | 2500/2900 | 85/100 | 0.28/0.35 | 41/47 | 465 |
| SP109WR | 1123HBT.GN | ○ | 115 | 50/60 | 0.25/0.22 | 22/20 | 2500/2900 | 85/100 | 0.25/0.30 | 42/48 | 465 |
| SP109WR | 1123HBL.GN | ○ | 115 | 50/60 | 0.25/0.22 | 22/20 | 2500/2900 | 85/100 | 0.25/0.30 | 42/48 | 465 |
| DP209WR | 2123HST.GN | ⊙ | 220-240 | 50/60 | 0.13/0.12 | 22/21 | 2500/2900 | 85/100 | 0.28/0.35 | 41/47 | 465 |
| DP209WR | 2123HSL.GN | ⊙ | 220-240 | 50/60 | 0.13/0.12 | 22/21 | 2500/2900 | 85/100 | 0.28/0.35 | 41/47 | 465 |
| DP209WR | 2123HBT.GN | ○ | 220-240 | 50/60 | 0.13/0.12 | 22/21 | 2500/2900 | 85/100 | 0.25/0.30 | 42/48 | 465 |
| DP209WR | 2123HBL.GN | ○ | 220-240 | 50/60 | 0.13/0.12 | 22/21 | 2500/2900 | 85/100 | 0.25/0.30 | 42/48 | 465 |

Frame : PBT Plastic



*All model could be customized on voltage or any other requirements to fit your need.
 *Specifications subject to change without notice. Please Visit SUNON web site at <http://www.sunon.com> for update information.

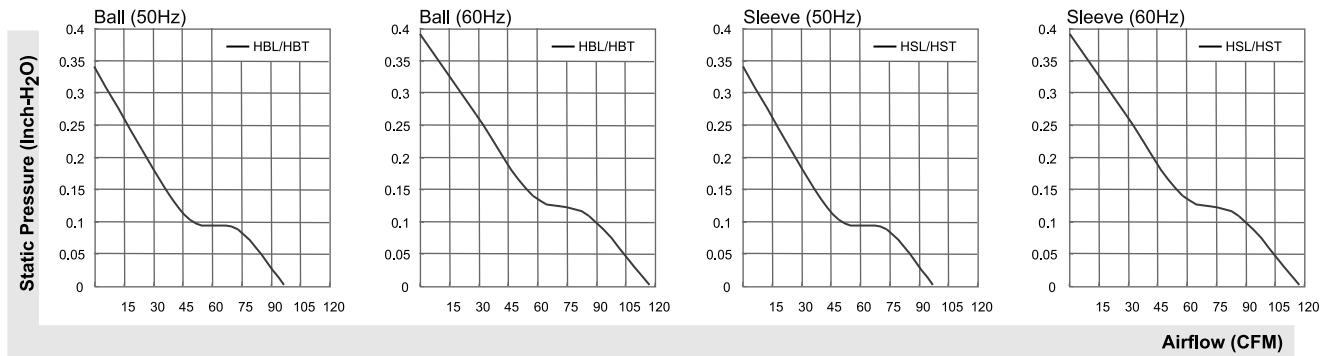
NEW



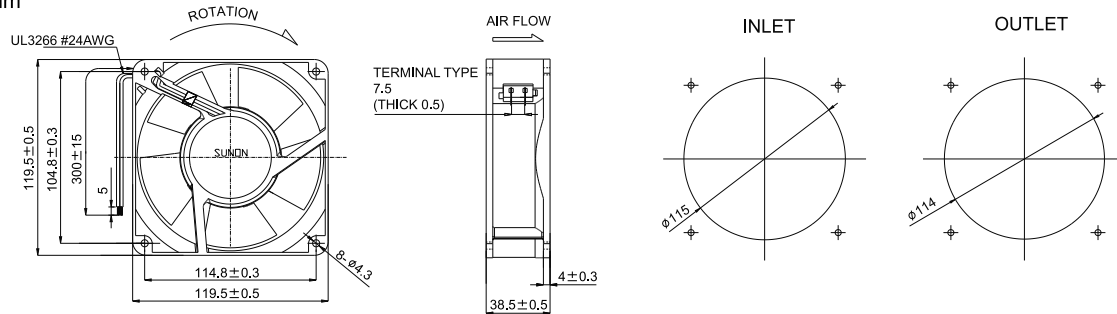
95-117 CFM

| Model | P/N | Bearing ● VAPO ○ BALL ⊙ Sleeve | Rating Voltage (VAC) | Freq. (Hz) | Power Current (AMP) | Power Consumption (WATTS) | Speed (RPM) | Air Flow (CFM) | Static Pressure (Inch-H ₂ O) | Noise (dBA) | Weight (g) |
|-----------|-----|---|----------------------|------------|---------------------|---------------------------|-------------|----------------|---|-------------|------------|
| A1123-HST | GN | ⊙ | 115 | 50/60 | 0.28/0.25 | 23/20 | 2700/3100 | 95/115 | 0.33/0.38 | 44/49 | 525 |
| A1123-HSL | GN | ⊙ | 115 | 50/60 | 0.28/0.25 | 23/20 | 2700/3100 | 95/115 | 0.33/0.38 | 44/49 | 525 |
| A1123-HBT | GN | ○ | 115 | 50/60 | 0.28/0.25 | 23/20 | 2700/3100 | 97/117 | 0.34/0.39 | 45/50 | 525 |
| A1123-HBL | GN | ○ | 115 | 50/60 | 0.28/0.25 | 23/20 | 2700/3100 | 97/117 | 0.34/0.39 | 45/50 | 525 |
| A2123-HST | GN | ⊙ | 220-240 | 50/60 | 0.14/0.12 | 23/20 | 2700/3100 | 95/115 | 0.33/0.38 | 44/49 | 525 |
| A2123-HSL | GN | ⊙ | 220-240 | 50/60 | 0.14/0.12 | 23/20 | 2700/3100 | 95/115 | 0.33/0.38 | 44/49 | 525 |
| A2123-HBT | GN | ○ | 220-240 | 50/60 | 0.14/0.12 | 23/20 | 2700/3100 | 97/117 | 0.34/0.39 | 45/50 | 525 |
| A2123-HBL | GN | ○ | 220-240 | 50/60 | 0.14/0.12 | 23/20 | 2700/3100 | 97/117 | 0.34/0.39 | 45/50 | 525 |

Frame : Aluminum alloy



UNITS:mm



*All model could be customized on voltage or any other requirements to fit your need.

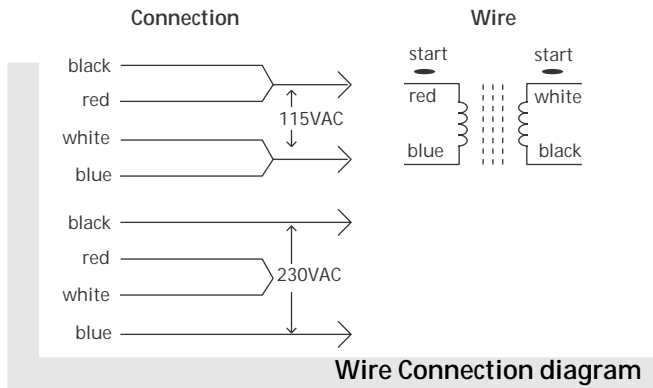
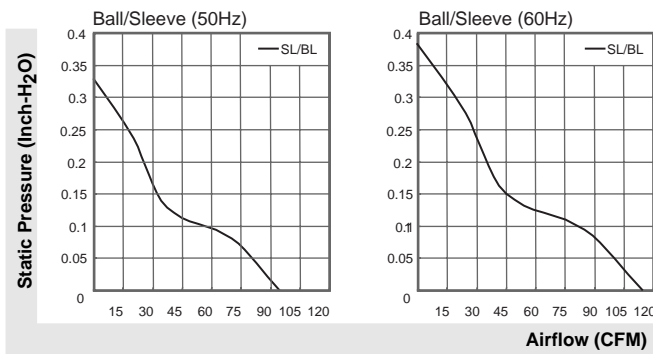
*Specifications subject to change without notice. Please Visit SUNON web site at <http://www.sunon.com> for update information.

Dual AC Voltage 95-115 CFM

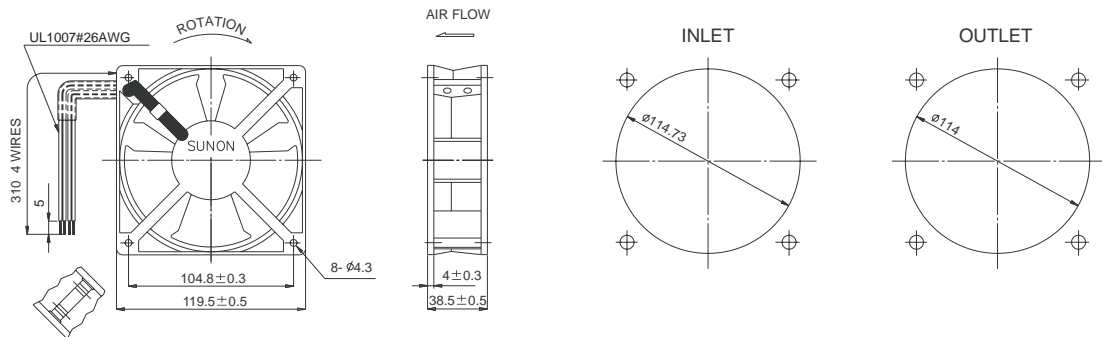


| Model | P/N | Bearing | Rating Voltage (VAC) | Freq. (Hz) | Power Current (AMP) | Power Consumption (WATTS) | Speed (RPM) | Air Flow (CFM) | Static Pressure (Inch-H ₂ O) | Noise (dBA) | Weight (g) |
|----------|-------|------------------------------|----------------------|------------|------------------------|---------------------------|-------------|----------------|---|-------------|------------|
| SF1212AD | SL.GN | ● VAP0 ○ BALL ⊙ Sleeve | 115 220-240 | 50/60 | 0.27/0.24 0.13/0.12 | 21.5/19 19.5/19 | 2700/3100 | 95/115 | 0.33/0.38 | 44/49 | 550 |
| SF1212AD | BL.GN | ○ | 115 220-240 | 50/60 | 0.27/0.24 0.13/0.12 | 21.5/19 19.5/19 | 2700/3100 | 95/115 | 0.33/0.38 | 44/49 | 550 |

Frame : Aluminum alloy



UNITS:mm



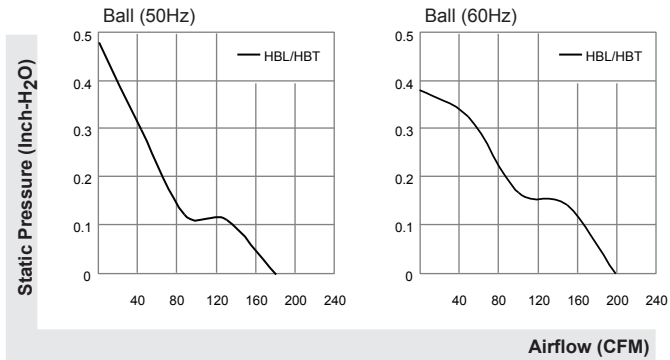
*All model could be customized on voltage or any other requirements to fit your need.
*Specifications subject to change without notice. Please Visit SUNON web site at <http://www.sunon.com> for update information.

180-200 CFM

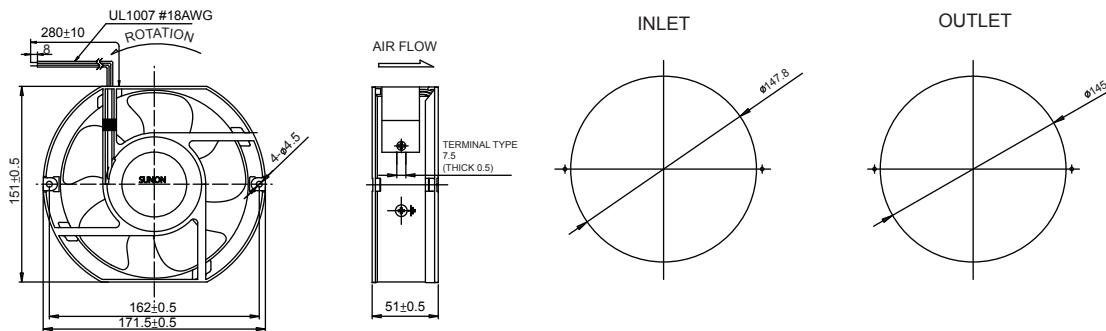


| Model | P/N | Bearing | Rating Voltage (VAC) | Freq. (Hz) | Power Current (AMP) | Power Consumption (WATTS) | Speed (RPM) | Air Flow (CFM) | Static Pressure (Inch-H ₂ O) | Noise (dBA) | Weight (g) |
|-----------|------|---------|----------------------|------------|---------------------|---------------------------|-------------|----------------|---|-------------|------------|
| A1175-HBL | T.GN | ○ BALL | 115 | 50/60 | 0.59/0.48 | 39/36 | 2650/2950 | 180/200 | 0.48/0.38 | 52/55 | 957 |
| A1175-HBT | T.GN | ○ BALL | 115 | 50/60 | 0.59/0.48 | 39/36 | 2650/2950 | 180/200 | 0.48/0.38 | 52/55 | 957 |
| A2175-HBL | T.GN | ○ BALL | 220-240 | 50/60 | 0.28/0.24 | 39/36 | 2650/2950 | 180/200 | 0.48/0.38 | 52/55 | 957 |
| A2175-HBT | T.GN | ○ BALL | 220-240 | 50/60 | 0.28/0.24 | 39/36 | 2650/2950 | 180/200 | 0.48/0.38 | 52/55 | 957 |

Frame : Aluminum alloy



UNITS:mm



*All model could be customized on voltage or any other requirements to fit your need.

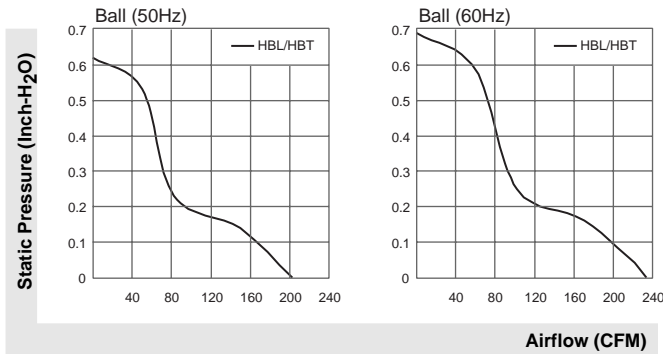
*Specifications subject to change without notice. Please Visit SUNON web site at <http://www.sunon.com> for update information.

Alveolate Motor 203-239 CFM

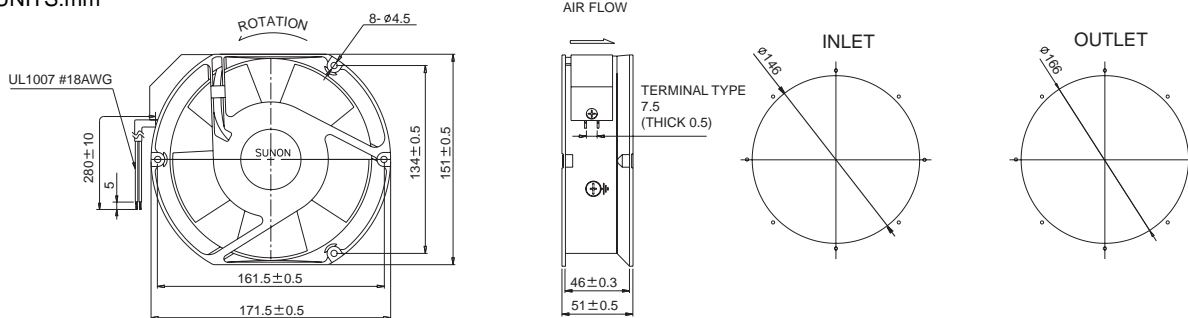


| Model | P/N | Bearing | Rating Voltage (VAC) | Freq. (Hz) | Power Current (AMP) | Power Consumption (WATTS) | Speed (RPM) | Air Flow (CFM) | Static Pressure (Inch-H ₂ O) | Noise (dBA) | Weight (g) |
|-----------|-------|----------|----------------------|------------|---------------------|---------------------------|-------------|----------------|---|-------------|------------|
| A1175-HBL | TC.GN | ○ BALL | 115 | 50/60 | 0.22/0.23 | 25/27 | 2800/3200 | 203/239 | 0.62/0.69 | 51/58 | 908 |
| A1175-HBT | TC.GN | ○ BALL | 115 | 50/60 | 0.22/0.23 | 25/27 | 2800/3200 | 203/239 | 0.62/0.69 | 51/58 | 908 |
| A2175-HBL | TC.GN | ○ STEEVE | 220-240 | 50/60 | 0.11/0.11 | 25/26 | 2800/3200 | 203/239 | 0.62/0.69 | 51/58 | 908 |
| A2175-HBT | TC.GN | ○ STEEVE | 220-240 | 50/60 | 0.11/0.11 | 25/26 | 2800/3200 | 203/239 | 0.62/0.69 | 51/58 | 908 |

Frame : Aluminum alloy



UNITS:mm



*All model could be customized on voltage or any other requirements to fit your need.
*Specifications subject to change without notice. Please Visit SUNON web site at <http://www.sunon.com> for update information.

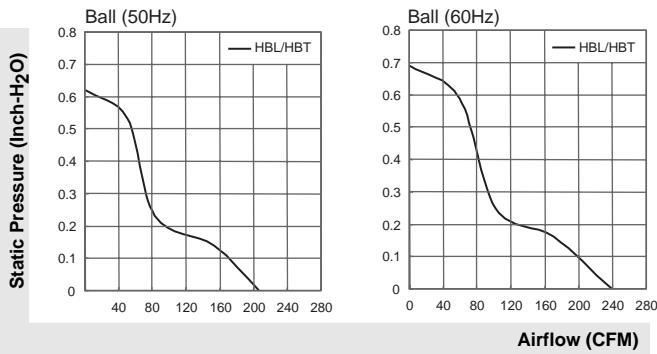
Alveolate Motor

203-239 CFM

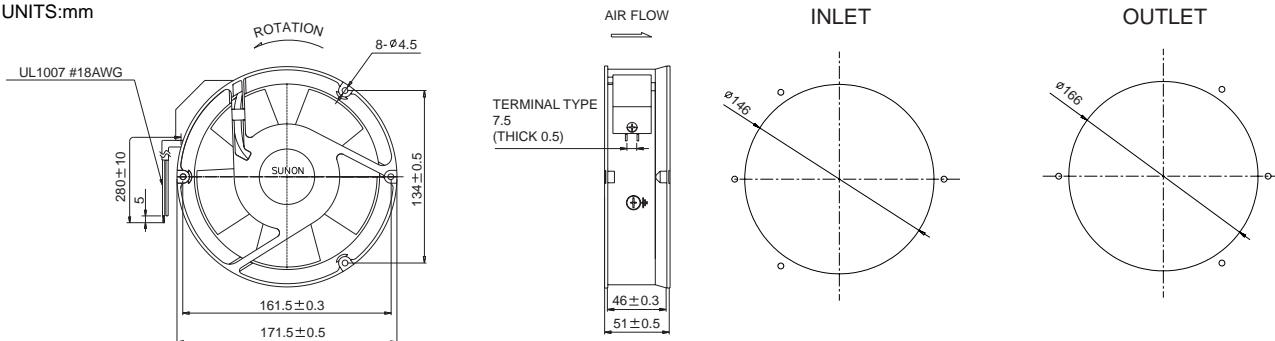


| Model | P/N | Bearing | Rating Voltage (VAC) | Freq. (Hz) | Power Current (AMP) | Power Consumption (WATTS) | Speed (RPM) | Air Flow (CFM) | Static Pressure (Inch-H ₂ O) | Noise (dBA) | Weight (g) |
|-----------|---------|---------|----------------------|------------|---------------------|---------------------------|-------------|----------------|---|-------------|------------|
| A1175-HBL | TC.R.GN | ○ BALL | 115 | 50/60 | 0.22/0.23 | 25/27 | 2800/3200 | 203/239 | 0.62/0.69 | 51/58 | 908 |
| A1175-HBT | TC.R.GN | ○ BALL | 115 | 50/60 | 0.22/0.23 | 25/27 | 2800/3200 | 203/239 | 0.62/0.69 | 51/58 | 908 |
| A2175-HBL | TC.R.GN | ○ BALL | 220-240 | 50/60 | 0.11/0.11 | 25/26 | 2800/3200 | 203/239 | 0.62/0.69 | 51/58 | 908 |
| A2175-HBT | TC.R.GN | ○ BALL | 220-240 | 50/60 | 0.11/0.11 | 25/26 | 2800/3200 | 203/239 | 0.62/0.69 | 51/58 | 908 |

Frame : Aluminum alloy



UNITS:mm



*All model could be customized on voltage or any other requirements to fit your need.

*Specifications subject to change without notice. Please Visit SUNON web site at <http://www.sunon.com> for update information.

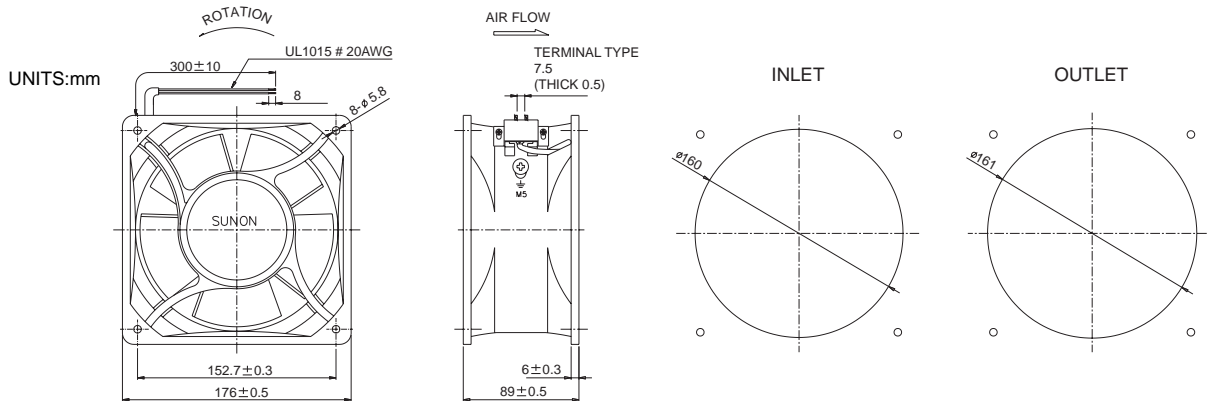
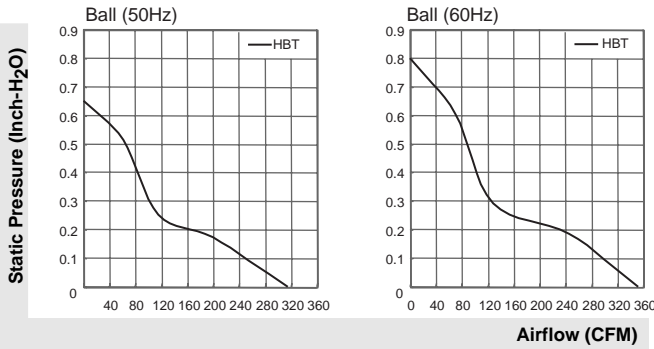
Alveolate Motor

315-335CFM



| Model | P/N | Bearing ● VAPO ○ BALL ⊙ Sleeve | Rating Voltage (VAC) | Freq. (Hz) | Power Current (AMP) | Power Consumption (WATTS) | Speed (RPM) | Air Flow (CFM) | Static Pressure (Inch-H ₂ O) | Noise (dBA) | Weight (g) |
|-----------|-------|---|----------------------|------------|---------------------|---------------------------|-------------|----------------|---|-------------|------------|
| A1179-HBT | TC.GN | ○ | 115 | 50/60 | 0.25/0.27 | 24/30 | 2800/3250 | 315/335 | 0.65/0.8 | 62/66 | 1960 |
| A1179-HBL | TC.GN | ○ | 115 | 50/60 | 0.25/0.27 | 24/30 | 2800/3250 | 315/335 | 0.65/0.8 | 62/66 | 1960 |
| A2179-HBT | TC.GN | ○ | 220-240 | 50/60 | 0.11/0.15 | 23/30 | 2800/3250 | 315/335 | 0.65/0.8 | 62/66 | 1960 |
| A2179-HBL | TC.GN | ○ | 220-240 | 50/60 | 0.11/0.15 | 23/30 | 2800/3250 | 315/335 | 0.65/0.8 | 62/66 | 1960 |

Frame : Aluminum alloy



*All model could be customized on voltage or any other requirements to fit your need.
 *Specifications subject to change without notice. Please Visit SUNON web site at <http://www.sunon.com> for update information.

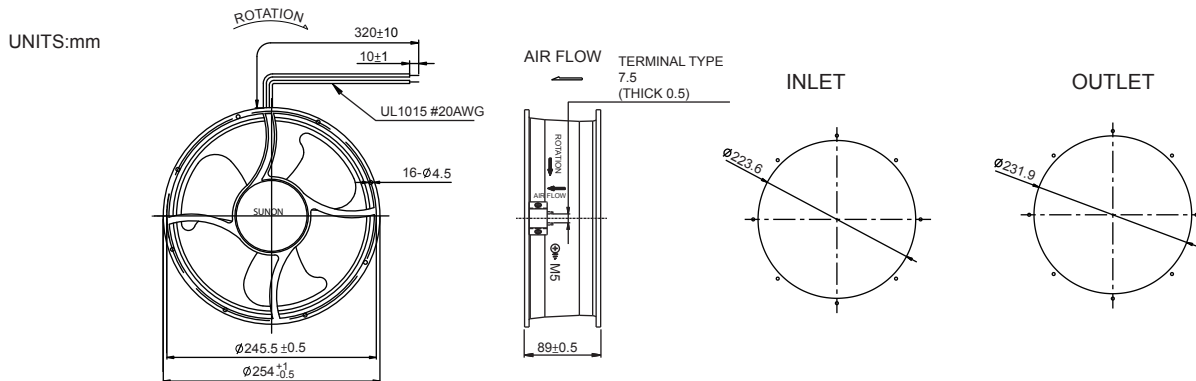
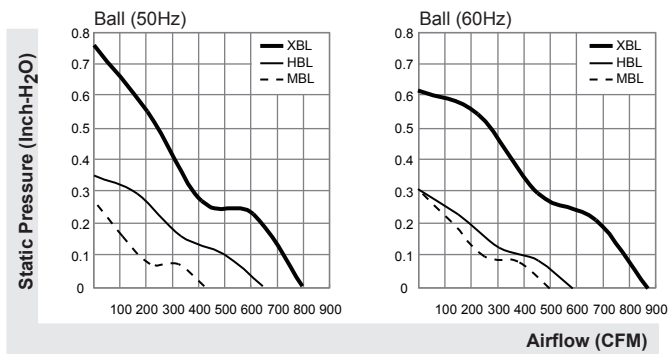
Alveolate Motor 425-870 CFM

NEW



| Model | P/N | Bearing ● VAPO ○ BALL ⊙ Sleeve | Rating Voltage (VAC) | Freq. (Hz) | Power Current (AMP) | Power Consumption (WATTS) | Speed (RPM) | Air Flow (CFM) | Static Pressure (Inch-H ₂ O) | Noise (dBA) | Weight (g) |
|-----------|---------|---|-------------------------|---------------|------------------------|------------------------------|----------------|-------------------|--|----------------|---------------|
| | | | | | | | | | | | |
| A1259-MBL | TC.N.GN | ○ | 115 | 50/60 | 0.23/0.23 | 20/23 | 1400/1600 | 425/500 | 0.27/0.31 | 50/52 | 2300 |
| A1259-MBT | TC.N.GN | ○ | 115 | 50/60 | 0.23/0.23 | 20/23 | 1400/1600 | 425/500 | 0.27/0.31 | 50/52 | 2300 |
| A1259-HBL | TC.N.GN | ○ | 115 | 50/60 | 0.60/0.65 | 63/72 | 2100/1900 | 650/585 | 0.35/0.31 | 62/60 | 2300 |
| A1259-HBT | TC.N.GN | ○ | 115 | 50/60 | 0.60/0.65 | 63/72 | 2100/1900 | 650/585 | 0.35/0.31 | 62/60 | 2300 |
| A1259-XBL | TC.N.GN | ○ | 115 | 50/60 | 0.83/1.10 | 88/120 | 2600/2900 | 800/870 | 0.76/0.62 | 68/70 | 2400 |
| A1259-XBT | TC.N.GN | ○ | 115 | 50/60 | 0.83/1.10 | 88/120 | 2600/2900 | 800/870 | 0.76/0.62 | 68/70 | 2400 |
| A2259-MBL | TC.N.GN | ○ | 220-240 | 50/60 | 0.15/0.13 | 63/72 | 1400/1600 | 425/500 | 0.27/0.31 | 50/52 | 2300 |
| A2259-MBT | TC.N.GN | ○ | 220-240 | 50/60 | 0.15/0.13 | 63/72 | 1400/1600 | 425/500 | 0.27/0.31 | 50/52 | 2300 |
| A2259-HBL | TC.N.GN | ○ | 220-240 | 50/60 | 0.24/0.27 | 56/61 | 2100/1900 | 650/585 | 0.35/0.31 | 62/60 | 2300 |
| A2259-HBT | TC.N.GN | ○ | 220-240 | 50/60 | 0.24/0.27 | 56/61 | 2100/1900 | 650/585 | 0.35/0.31 | 62/60 | 2300 |

Frame : Aluminum alloy



*All model could be customized on voltage or any other requirements to fit your need.

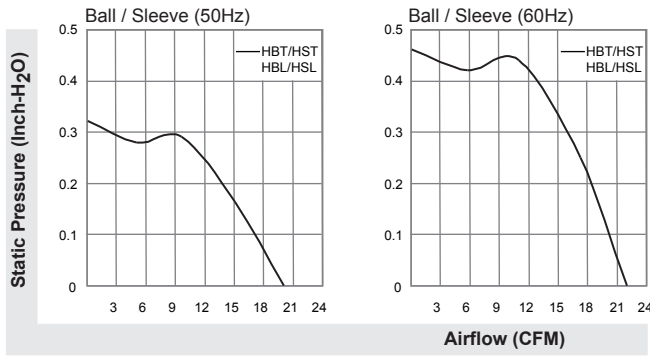
*Specifications subject to change without notice. Please Visit SUNON web site at <http://www.sunon.com> for update information.

20-22 CFM

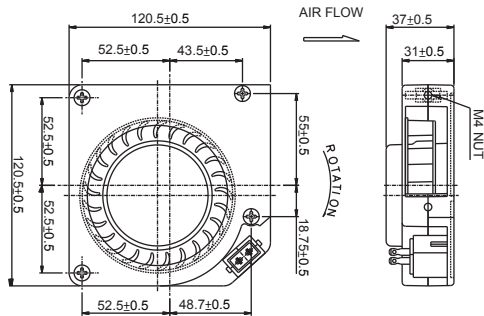


| Model | P/N | Bearing | Rating Voltage (VAC) | Freq. (Hz) | Power Current (AMP) | Power Consumption (WATTS) | Speed (RPM) | Air Flow (CFM) | Static Pressure (Inch-H ₂ O) | Noise (dBA) | Weight (g) |
|------------|-----|----------|----------------------|------------|---------------------|---------------------------|-------------|----------------|---|-------------|------------|
| AB1123-HST | GN | ● Vapo | 115 | 50/60 | 0.25/0.21 | 20/18 | 2600/2900 | 20/22 | 0.32/0.46 | 48/50 | 678 |
| AB1123-HSL | GN | ○ BALL | 115 | 50/60 | 0.25/0.21 | 20/18 | 2600/2900 | 20/22 | 0.32/0.46 | 48/50 | 678 |
| AB1123-HBT | GN | ○ Sleeve | 115 | 50/60 | 0.25/0.21 | 20/18 | 2600/2900 | 20/22 | 0.32/0.46 | 48/50 | 678 |
| AB1123-HBL | GN | ○ | 115 | 50/60 | 0.25/0.21 | 20/18 | 2600/2900 | 20/22 | 0.32/0.46 | 48/50 | 678 |
| AB2123-HST | GN | ● Vapo | 220-240 | 50/60 | 0.14/0.11 | 20/18 | 2600/2900 | 20/22 | 0.32/0.46 | 48/50 | 678 |
| AB2123-HSL | GN | ○ BALL | 220-240 | 50/60 | 0.14/0.11 | 20/18 | 2600/2900 | 20/22 | 0.32/0.46 | 48/50 | 678 |
| AB2123-HBT | GN | ○ Sleeve | 220-240 | 50/60 | 0.14/0.11 | 20/18 | 2600/2900 | 20/22 | 0.32/0.46 | 48/50 | 678 |
| AB2123-HBL | GN | ○ | 220-240 | 50/60 | 0.14/0.11 | 20/18 | 2600/2900 | 20/22 | 0.32/0.46 | 48/50 | 678 |

Frame : Aluminum alloy



UNITS:mm



*All model could be customized on voltage or any other requirements to fit your need.

*Specifications subject to change without notice. Please Visit SUNON web site at <http://www.sunon.com> for update information.

Headquarters:

Sunonwealth Electric Machine Industry Co., Ltd.

No. 30, Lane 296, Hsin Ya Road, Chien-Chen District, Kaohsiung, Taiwan
TEL : +886-7-8135888
FAX : +886-7-8230505/8230606/8231010
URL: <http://www.sunon.com>
E-mail: sunon@email.sunon.com.tw

Sunon Inc. (U.S.A.)

1075 West Lambert Road Suite A, Brea, California 92821, U.S.A
TEL : +1-714-255-0208
FAX : +1-714-255-0802
URL : <http://www.sunonusa.com>
E-mail : info@sunon.com

Sunon SAS (Europe)

Parc Medis, 66, Ave Des Pepinieres 94832, Fresnes Cedex-France
TEL : +33-1-46154515
FAX : +33-1-46154510
URL: <http://www.sunoneurope.com>
E-mail : info@sunoneurope.com

Sunon Corporation (Japan)

Stork Minami Otsuka 4Fl.33-1, 2 Chome,
Minami Otsuka Toshimaku, Tokyo, Japan 170-0005
TEL : +81-3-5395-3069
FAX: +81-3-5395-3080
URL: <http://www.sunon.co.jp>
E-mail : info@sunon.co.jp

Sunon Technologies Pte Ltd. (Singapore)

10 Toh Guan Road, #03-08 TT International Tradepark, Singapore 608838
TEL : +65-6795-0300
FAX : +65-6795-0600
E-mail : info@sunon.com.sg

Sunonwealth Electric Machine Industry (HK) Ltd. (Hong Kong)

1906 Nan Fung Center, 264 Castle Peak Road, Tsuen Wan, Hong Kong
TEL : + 852-24-111-388
FAX : + 852-24-050-707
E-mail : info@sunon.com.hk

Sunon Shanghai Office (Shanghai, China)

TEL : +86-021-54070116
FAX : +86-021-54070116
URL: <http://www.sunon.com.cn>

Sunon Shen Zhen Office (Shen Zhen, China)

TEL : +86-755-26880688
FAX : +86-755-26880288
E-mail : info@sunon.com.cn

Sunon Guangzhou Office (Guangzhou, China)

TEL : +86-20-87788928
FAX : +86-20-87786786

X-ON Electronics

Largest Supplier of Electrical and Electronic Components

Click to view similar products for [sunon manufacturer](#):

Other Similar products are found below :

[MB50151V2-000U-A99](#) [UF3A3-700](#) [UB3H3-500](#) [PMB2475PNB3-AY.\(2\).GN](#) [KD1208PHB1.13.\(2\).GN](#) [B2-10](#) [SM203-13002](#) [PE80254V1-000U-A99](#) [GE80252B1-000U-AC9](#) [B2-20](#) [C2-10](#) [C2-20](#) [PF92251V1-1000U-A99](#) [ME80201V2-000U-A99](#) [PE92252B1-000C-AB9](#) [MC30101V2-000C-A99\(165mm\)](#) [MF20100V4-1Q04C-G99](#) [PE92254B2-000C-F99](#) [MC30150V1-000C-A99](#) [PE80252B1-000C-AB9](#) [MF20060V3-1Q07A-G99](#) [MC25100V2-000C-G99](#) [PMD2412PMB1-A\(2\).R.GN.I55](#) [EE60251B2-000U-999](#) [AB1123-HST.GN](#) [D09023250G-00](#) [MF25100V1-1000U-A99](#) [PF80251V1-1000U-F99](#) [EE92251B3-000U-A99](#) [PF92381B1-000U-A99](#) [VF40281BX-000U-A9H](#) [LA004-024A83DY](#) [SM203-14001Y](#) [SM203-13004Y](#) [SM205-13001](#) [F92-B](#) [FG-8/45](#) [LA004-011A99DN](#) [SF11592A-1092HSL.GN](#) [CF4113HBL-000U-ABD](#) [MF20100V1-1000U-A99](#) [DP203A-2123LBL.\(5\).GN](#) [PF40281B3-000U-A99](#) [HA60150V3-E03U-A99](#) [MF30060V1-1000U-G99](#) [MC20100V3-Q00C-G99](#) [MEC0382V1-000U-A99](#) [PB-08](#) [SM203-14002Y](#) [PMD1212PTB1-A.\(2\).GN](#)