

# SUNON

## SPECIFICATION FOR APPROVAL

**CUSTOMER** : SUNON  
**MODEL NO** : SM421-21002Y  
**DESCRIPTION** : Thermal Module  
**DIMENSIONS** : 118X78X69.7 mm  
**SUNON SPEC. NO.** : C02006400F-01  
**CUSTOMER APPROVAL NO.** :  
**APPROVED BY CUSTOMER** :  
(AUTHORIZED)

<b>DRAWN</b>  Sharon	<b>CHECKED</b>  Qian	<b>APPROVED</b>  Jordan	<b>SPEC. NO</b>	C02006400F-01
			<b>ISSUED DATE</b>	02. 01. 2023
			<b>EDITION</b>	3
			<b>REVISION DATE</b>	02. 01. 2023

建準電機工業股份有限公司

SUNONWEALTH ELECTRIC MACHINE INDUSTRY CO., LTD.

No. 30, LN. 296, XINYA RD., QIANZHEN DIST TEL:886-7-8135888

KAOHSIUNG CITY 80673, TAIWAN(R. O. C) FAX:886-7-8230505/8230606/8231010

URL:<http://www.SUNON.com>

E-mail:[SUNON@email.SUNON.com.tw](mailto:SUNON@email.SUNON.com.tw)

**SPECIFICATION FOR APPROVAL****CHECK LIST**

- 1. SPECIFICATIONS** ----- Page 2
- 2. DIMENSION** ----- Page 3
- 3. Heatsink Performance** ----- Page 4
- 4. PACKAGE** ----- Page 5~6
- 5. NOTES** ----- Page 7
- 6. Declaration of RoHS** ----- Page 8

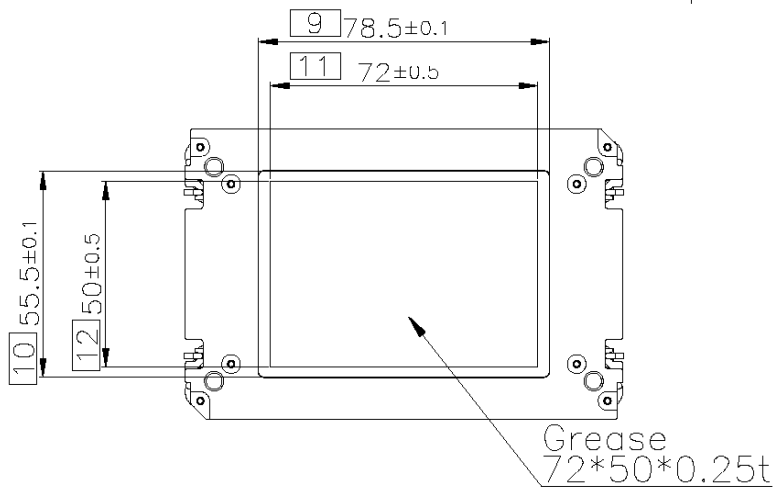
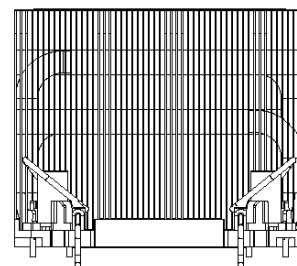
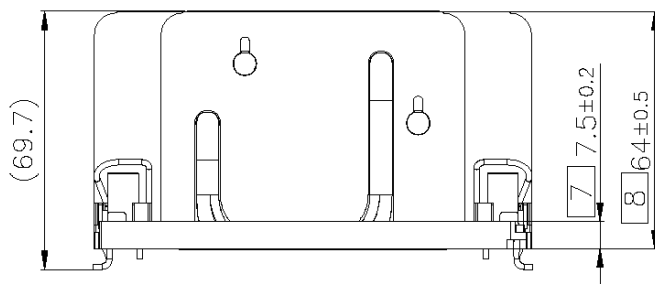
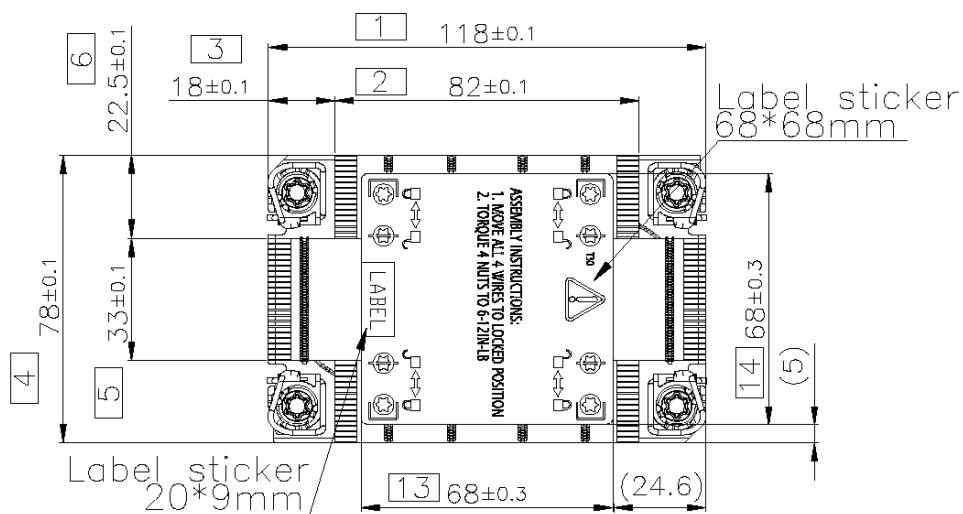
SUNONWEALTH ELECTRIC  
MACHINE INDUSTRY CO., LTD.  
建準電機工業股份有限公司

<b>PAGE</b>	<b>1 OF 8</b>
<b>SPEC. NO.</b>	<b>C02006400F-01</b>
<b>ISSUED DATE</b>	<b>02. 01. 2023</b>
<b>EDITION</b>	<b>3</b>
<b>REVISION DATE</b>	<b>02. 01. 2023</b>

**MODEL : SM421-21002Y****1.SPECIFICATIONS**

1. Application	350W	
2. Heat Sink Dimension	118X78X7.5mm	
3. Heat Sink Material	ADC10	
4. Cooling Method	N/A	
5. Thermal Grease / PAD	X-23-7921-5	
6. Fan Dimension	N/A	
7. Fan Speed (with Heat Sink)	N/A	
8. Fan Airflow ( with Heat Sink )	N/A	
9. Fan Rating Voltage	N/A	
10. Fan Rating Current ( with Heat Sink )	N/A	
11. Fan Power Consumption ( with Heat Sink )	N/A	
12. Fan Bearing Type	N/A	
13. Fan Connector	N/A	
21. Cooling Module Noise	N/A	
15. Fan Operating Voltage Range	N/A	
16. Operating Temperature	-10 to + 70 deg. C	
17. Storage Temperature	-40 to + 70 deg. C	
18. Weight	435 g	
19. Life Expectance	N/A	
<b>SUNONWEALTH ELECTRIC MACHINE INDUSTRY CO., LTD.</b> 建準電機工業股份有限公司	<b>PAGE</b>	<b>2 OF 8</b>
	<b>SPEC. NO.</b>	<b>C02006400F-01</b>
	<b>ISSUED DATE</b>	<b>02. 01. 2023</b>
	<b>EDITION</b>	<b>3</b>
	<b>REVISION DATE</b>	<b>02. 01. 2023</b>

2.DIMENSION

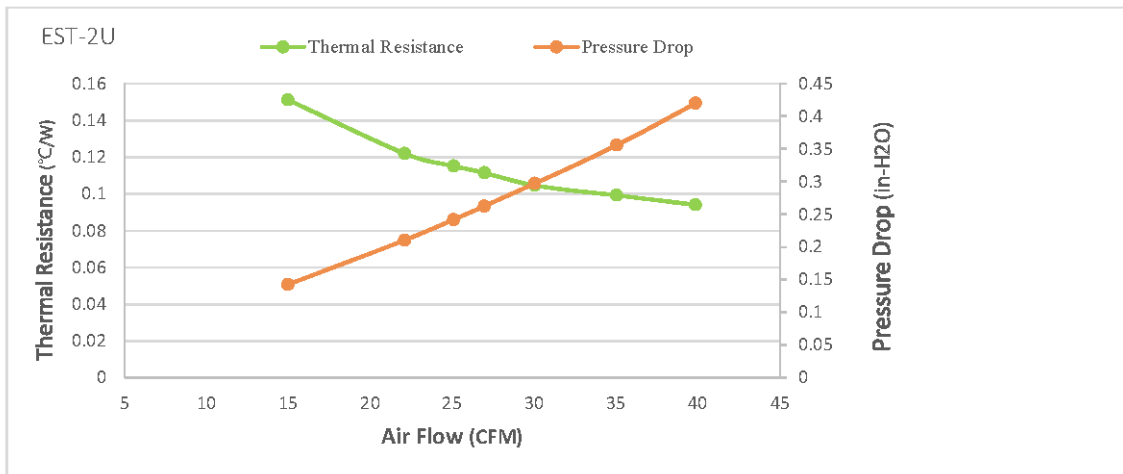


UNIT: mm

SUNONWEALTH ELECTRIC  
MACHINE INDUSTRY CO., LTD.  
建準電機工業股份有限公司

PAGE	3 OF 8
SPEC. NO.	C02006400F-01
ISSUED DATE	02. 01. 2023
EDITION	3
REVISION DATE	02. 01. 2023

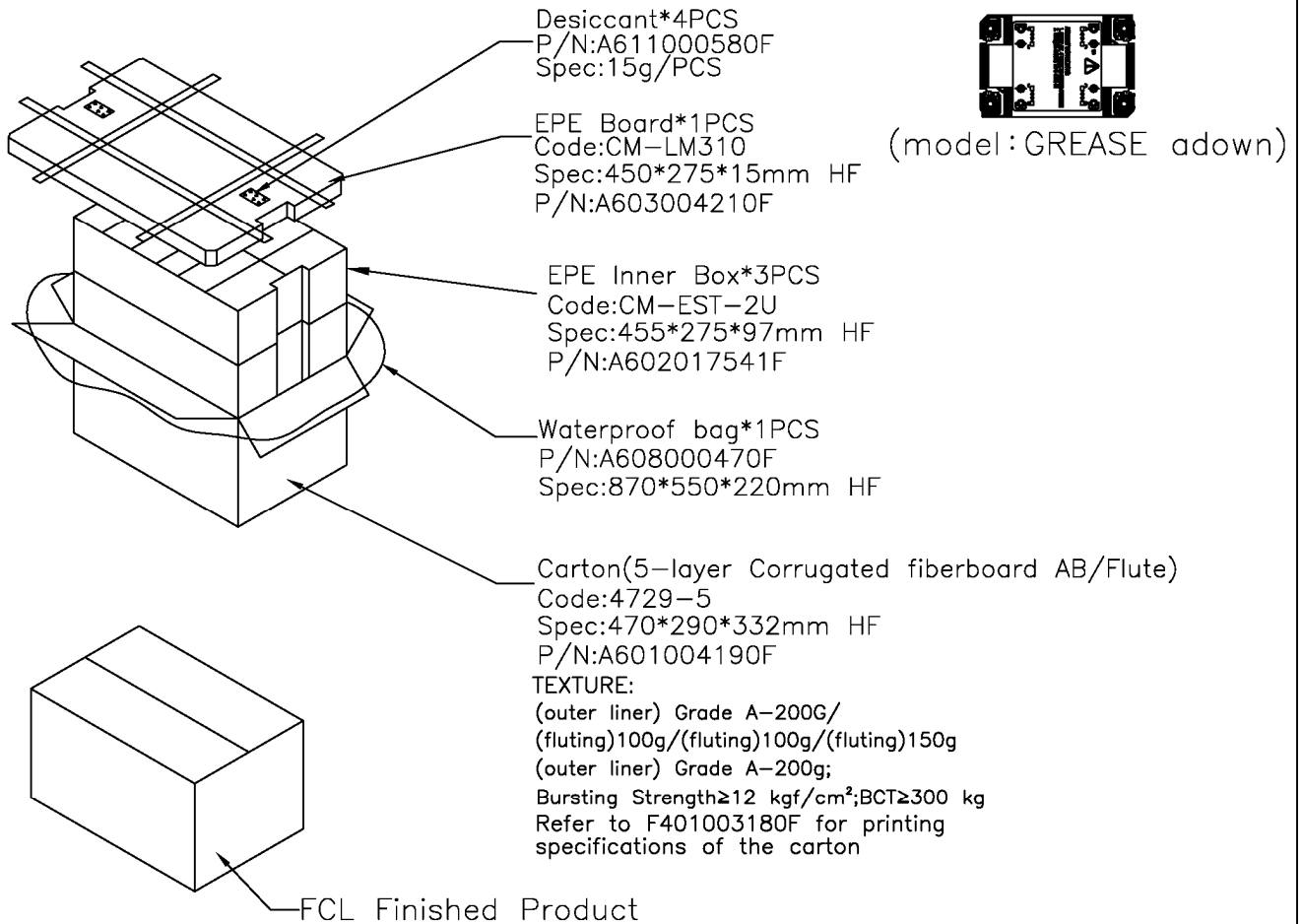
### 3.Heatsink Performance



SUNONWEALTH ELECTRIC  
 MACHINE INDUSTRY CO., LTD.  
 建準電機工業股份有限公司

<b>PAGE</b>	<b>4 OF 8</b>
<b>SPEC. NO.</b>	<b>C02006400F-01</b>
<b>ISSUED DATE</b>	<b>02. 01. 2023</b>
<b>EDITION</b>	<b>3</b>
<b>REVISION DATE</b>	<b>02. 01. 2023</b>

4.Package



Procedure:

- Step:①Place the waterproof bag inside the carton, and put desiccants at each corner of the carton.  
②Put finished products inside the EPE Inner box, 6 units per tray, 3 trays stacked in total. Place a EPE board on the top, with BOPP tapes for wrapping.  
③Place desiccants at each top corner of the EPE board and organize the bag opening. Finish the packing by sealing the carton with BOPP packing tapes.

Parts and raw materials used in this product shall not contain any prohibited and hazardous substance pertained to <List of Environmental Hazardous Substance Inspection Techniques and Standards> of Sunonwealth Electric Machine Industry Co., Ltd.

注意事項 NOTICE

Applicable Client:  
For Customization  
Applicable Model:  
SM421-21002Y

★: With this mark, inspect the dimension.

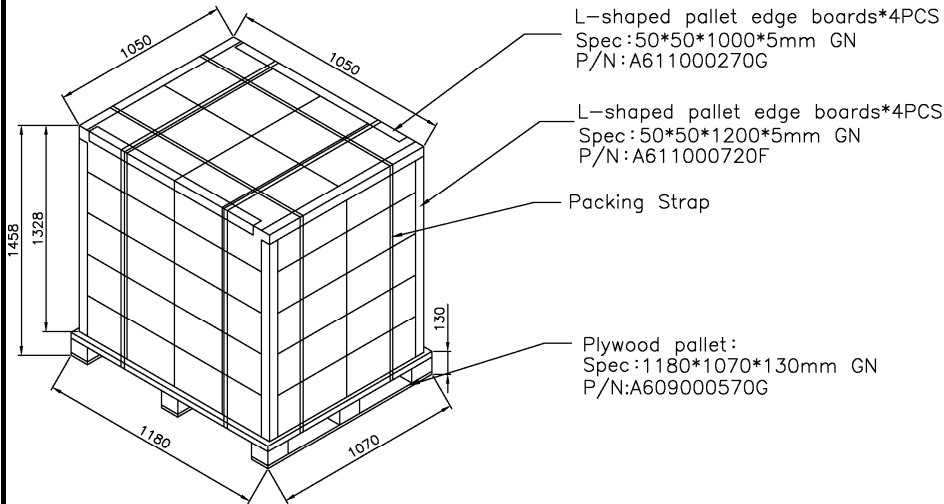
SPEC. of MC	P/N of MC	QTY	Cuft	Code	Carton: Corrugate Fiberboard/ EPE Inner Box
470*290*332	A601004190F	18	1.6	4729-5	材 質 MATERIAL

適用範圍  
SCOPE

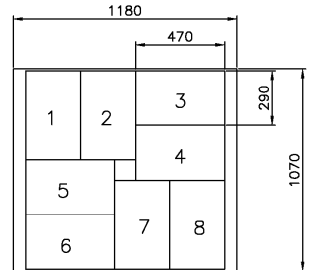
SUNONWEALTH ELECTRIC  
MACHINE INDUSTRY CO., LTD.  
建準電機工業股份有限公司

PAGE	5 OF 8
SPEC. NO.	C02006400F-01
ISSUED DATE	02. 01. 2023
EDITION	3
REVISION DATE	02. 01. 2023

4.Package



Carton Layout



NOTICE:

- 8 cartons per layer, 4 layers in total (32 Carton/Pallet).
- Tightly wrap around the pallet with wrapping films.

NO.	Model	SPEC. of carton	Carton/Pallet	pcs/Carton	pcs/Pallet	N.W	G.W
1.	SM421-21002Y	470*290*332	32	18	576	251	303

SUNONWEALTH ELECTRIC  
MACHINE INDUSTRY CO., LTD.  
建準電機工業股份有限公司

PAGE	6 OF 8
SPEC. NO.	C02006400F-01
ISSUED DATE	02. 01. 2023
EDITION	3
REVISION DATE	02. 01. 2023

## Notes

### I. SPECIFICATION MODIFICATION

1. SUNON offers engineering assistance on module installation and cooling system design.
2. All changes, modifications and/or revisions to the specifications, if any, are incorporated in the attached specifications.
3. No changes, modifications and/or revisions to these specifications are effective absent agreement, by both SUNON and the customer, in writing.
4. This module will be shipped in accordance with the attached specification unless SUNON and the customer have agreed otherwise, in writing, as specified in Paragraph 3, above.

### II. OTHER

1. DO NOT operate this module in proximity to hazardous materials such as organic silicon, cyanogens, formalin, phenol, or corrosive gas environments including, but not limited to, H<sub>2</sub>S, SO<sub>2</sub>, NO<sub>2</sub>, or Cl<sub>2</sub>.
2. Unless otherwise noted, all testing of this module is conducted at 25°C ambient temperature and sixty-five percent (65%) relative humidity.
3. DO NOT store this module in an environment with high humidity. This module must be stored in accordance with the attached specifications regarding storage temperature. If this module is stored for more than 6 months, SUNON recommends functional testing before using.
4. SUNON reserves the right to use components from multiple sources at its discretion. The use of components from other sources will not affect the specifications as described herein.

### III. WARRANTY

This module is warranted against all defects which are proved to be fault in our workmanship and material for one year from the date of our delivery. The sole responsibility under the warranty shall be limited to the repair of the module or the replacement thereof, at SUNON's sole discretion. SUNON will not be responsible for the failures of its module due to improper handling, misuse or the failure to follow specifications or instructions for use. In the event of warranty claim, the customer shall immediately notify SUNON for verification. SUNON will not be responsible for any consequential damage to the customer's equipment as a result of any module proven to be defective.

SUNONWEALTH ELECTRIC  
MACHINE INDUSTRY CO., LTD.  
建準電機工業股份有限公司

PAGE	7 OF 8
SPEC. NO.	C02006400F-01
ISSUED DATE	02. 01. 2023
EDITION	3
REVISION DATE	02. 01. 2023



## X-ON Electronics

Largest Supplier of Electrical and Electronic Components

*Click to view similar products for [CPU & Chip Coolers](#) category:*

*Click to view products by [Sunon](#) manufacturer:*

Other Similar products are found below :

[114992082](#) [1237881](#) [1750001660](#) [1960048819N001](#) [1960048820N001](#) [1960049408N001](#) [1960053207N001](#) [1970004886N001](#) [36099-0000-99-0](#) [38025-0000-99-0C05](#) [38025-0000-99-0C06](#) [5078C111200E](#) [AmITX-BT](#) [TM-FAN-ETT](#) [AP0412MX-J70-LF](#) [AP3505HX-J70-LF](#) [AP3512HX-J70-LF](#) [AP3512HX-J70\(TX\)](#) [AP4512MX-G90-LF](#) [BXSTS200P 915972](#) [BXSTS200PNRW 915971](#) [CF-1150SC-R20](#) [CF-115XE-R10](#) [CF-520-RS-R11](#) [CF-775A-RS](#) [conga-JC370/CSA-B](#) [conga-JC370/CSA-T](#) [conga-PA5/i-CSP-T](#) [conga-PA7/i-CSP-T](#) [conga-TCA7/i-CSP-T](#) [EP-FNUPACTCLRDC](#) [FHS-K8020S00](#) [iW-FSKALU-CLASLR-CU02](#) [MC30101V1-Q020-S99-PK](#) [MODULED MICRO 8680-B](#) [RAPID-100-2](#) [RAPID-135-6](#) [RAPID-L120](#) [RAPID-L240](#) [SK 570 10 SA](#) [SK 570 25 SA](#) [SM320-21001Y](#) [SM421-21002Y](#) [SMX8-Plus/CSP-B](#)