

SK3010RB

MSL 3 Device

Band1&4, RF-Rx Balance SAW Filter
Revision 0: August 2016



- Electrical Characteristics**
 - Package Dimensions**
 - Testing Environment**
 - Frequency Characteristics**
-

□ Electrical Characteristics

Maximum Ratings

Parameters Description	Unit	Minimum	Typical	Maximum
Operating Temperature Range	°C	-30	-	+85
Storage Temperature Range	°C	-40	-	+85
Maximum DC Voltage	V	-	-	-
Maximum Input Power	dBm	-	-	15
Source Impedance (unbalance) ⁽¹⁾	□	-	50	-
Load Impedance (balance) ⁽¹⁾	□	-	100	-
Package type & size	C14			
Length x Width	mm ²	-	1.1 x 0.9	-
Height	mm	-	-	0.55

Electrical Specification

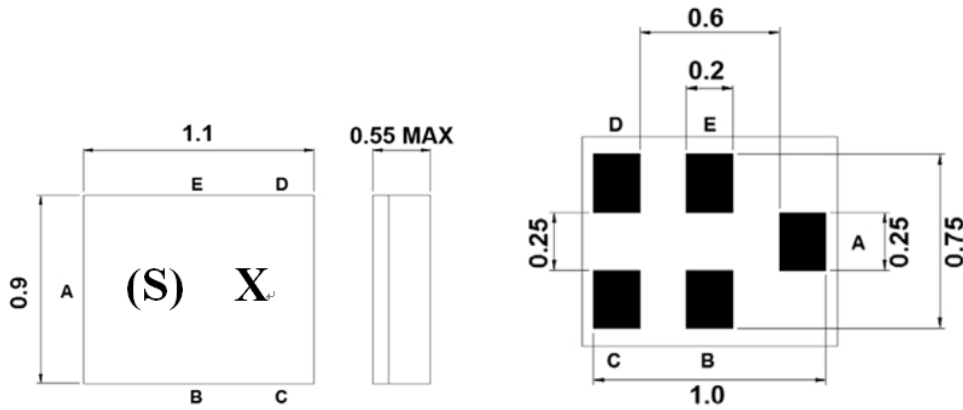
Parameters Description (Band 1)	Unit	Minimum	Typical @+25°C	Maximum
Center Frequency (Fo)	MHz	-	2140.0	-
Insertion Loss within 2110.0 ~ 2170.0 MHz	dB	-	2.0	2.4
Amplitude Ripple within 2110.0 ~ 2170.0 MHz	dB _{p-p}	-	0.7	1.5
VSWR within 2110.0 ~ 2170.0 MHz	-	-	1.9	2.2
Amplitude balance within 2110.0 ~ 2170.0 MHz	dB	-1.5	-0.9 ~ +0.4	+1.5
Phase balance within 2110.0 ~ 2170.0 MHz	deg	-10	-3.0 ~ +2.8	+10

Parameters Description (Band 4)	Unit	Minimum	Typical @+25°C	Maximum
Center Frequency (Fo)	MHz	-	2132.0	-
Insertion Loss within 2110.0 ~ 2155.0 MHz	dB	-	1.8	2.2
Amplitude Ripple within 2110.0 ~ 2155.0 MHz	dB _{p-p}	-	0.5	1.5
VSWR within 2110.0 ~ 2155.0 MHz	-	-	1.6	2.2
Amplitude balance within 2110.0 ~ 2155.0 MHz	dB	-1.5	-0.9 ~ +0.2	+1.5
Phase balance within 2110.0 ~ 2155.0 MHz	deg	-10	-2.4 ~ +2.8	+10

Parameters Description	Unit	Minimum	Typical @+25°C	Maximum
Attenuation:				
10.0 ~ 1920.0 MHz	dB	40	48	-
824.0 ~ 849.0 MHz	dB	50	58	-
1710.0 ~ 1755.0 MHz	dB	45	52	-
1920.0 ~ 1980.0 MHz	dB	50	54	-
2300.0 ~ 2500.0 MHz	dB	25	33	-
4220.0 ~ 4340.0 MHz	dB	35	51	-

Notes : (1) With Matching Network

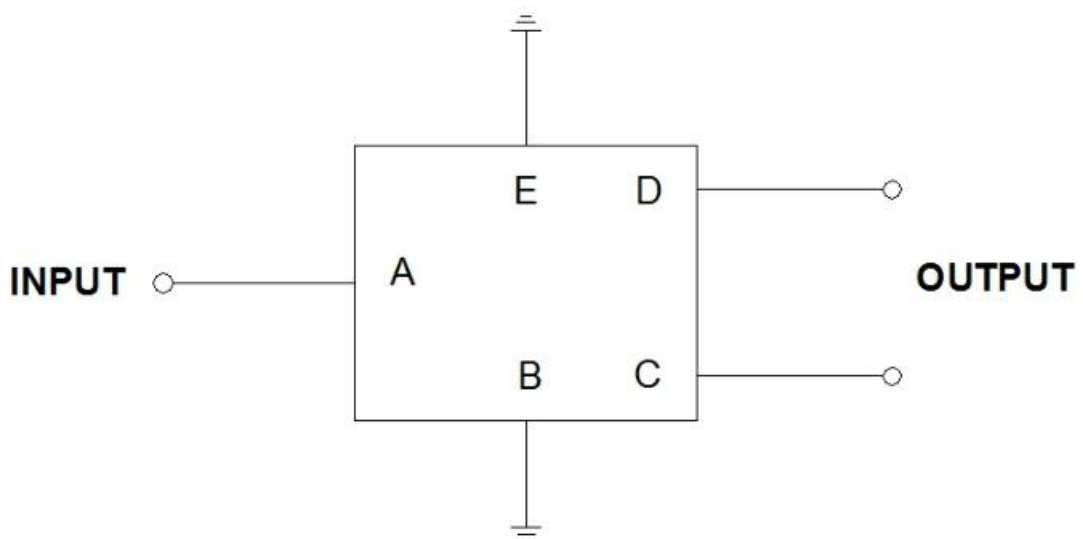
□ Package Dimensions



Marking Descriptions	
(S)	Series Number
X	Date Code(Year+Month)

Pin Description	
B, E	Ground
A	Input
C, D	Balanced Output

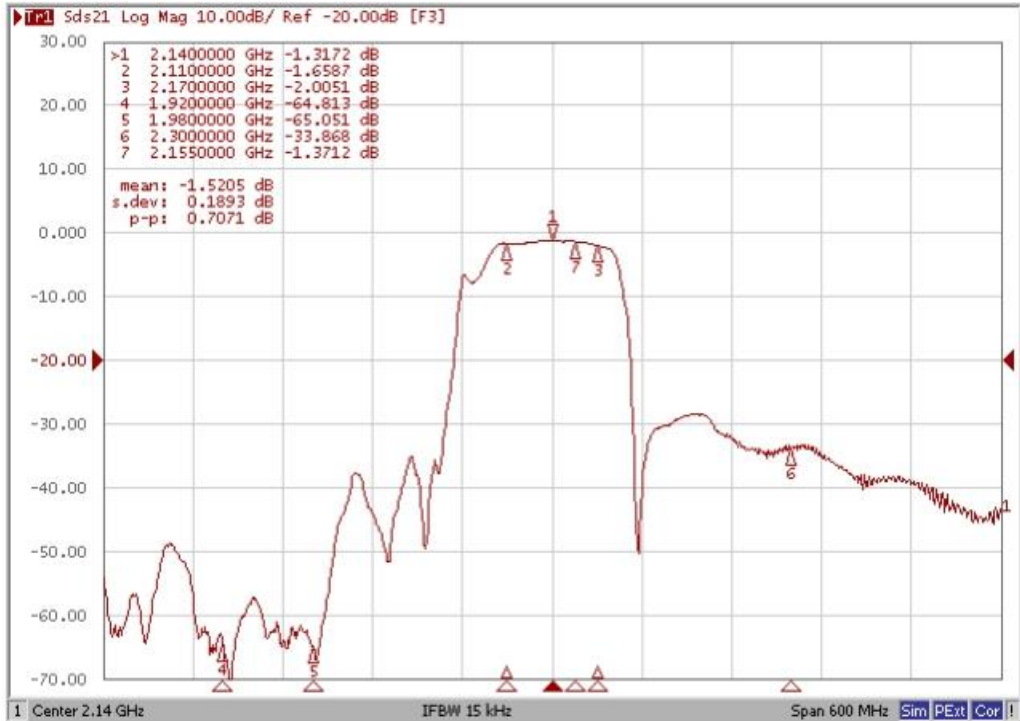
□ Testing Environment



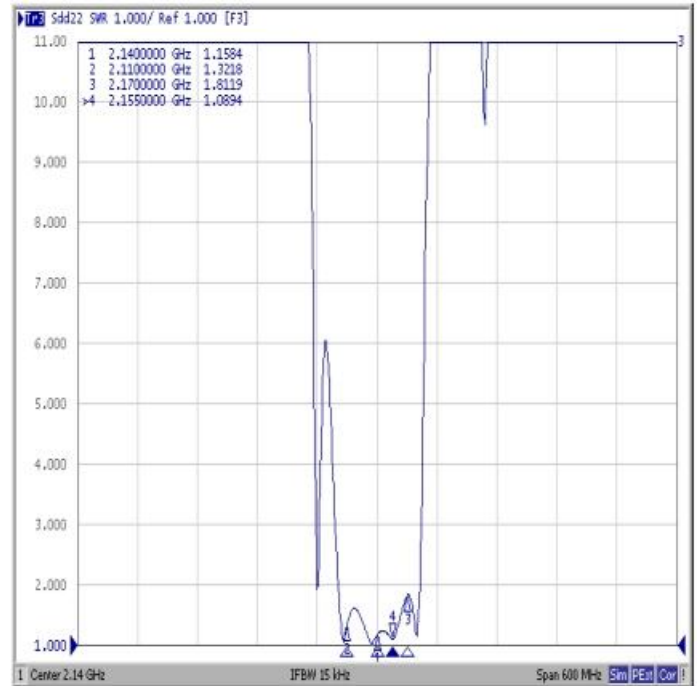
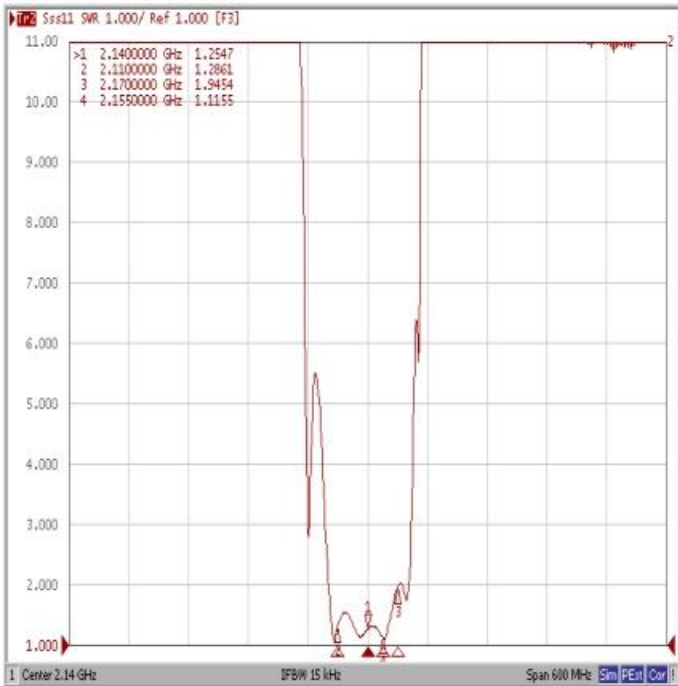
Source Impedance: 50
Load Impedance: 100

□ Frequency Characteristics

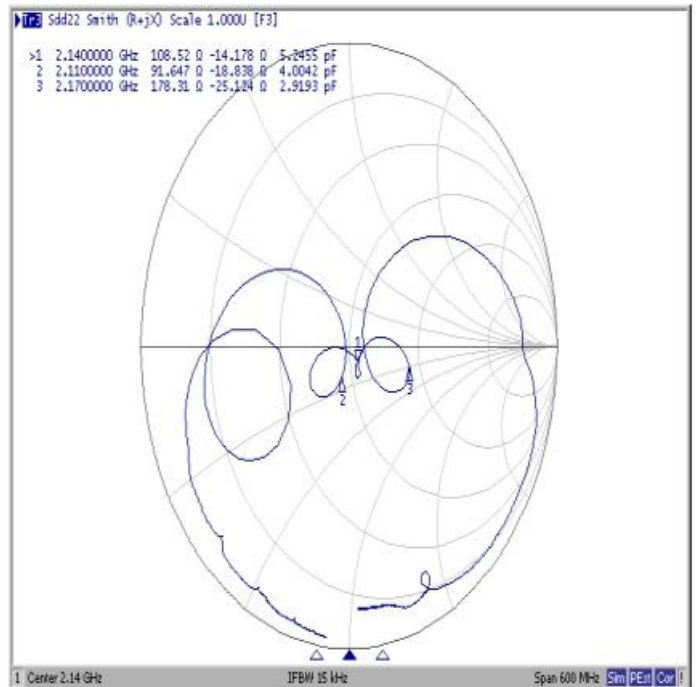
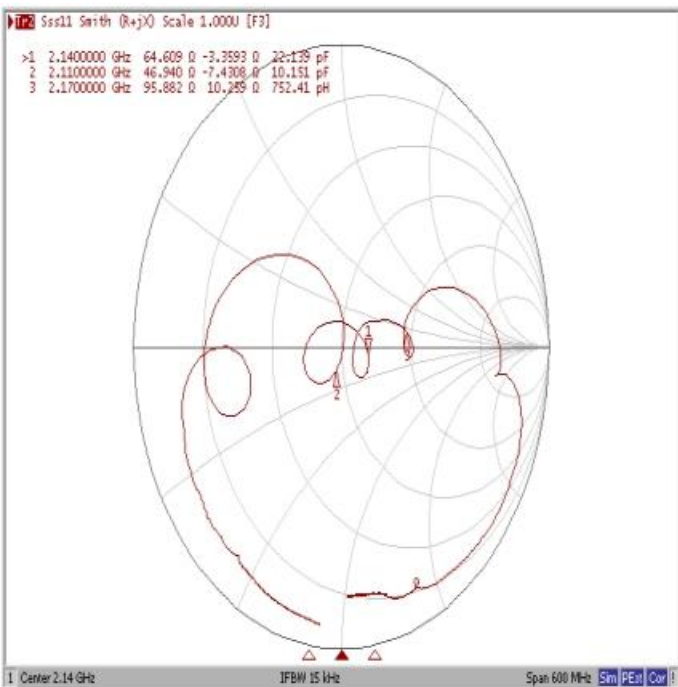
Frequency Response



VSWR



Smith Chart



Amplitude balance



Phase balance



X-ON Electronics

Largest Supplier of Electrical and Electronic Components

Click to view similar products for [Signal Conditioning](#) category:

Click to view products by [Suntek](#) manufacturer:

Other Similar products are found below :

[MAPDCC0001](#) [MAPDCC0004](#) [PD0409J5050S2HF](#) [HHS-109-PIN](#) [AFS14A35-1591.50-T3](#) [DS-323-PIN](#) [DSS-313-PIN](#) [B39321R801H210](#)
[1A0220-3](#) [JP510S](#) [LFB212G45SG8C341](#) [LFB322G45SN1A504](#) [LFL182G45TC3B746](#) [SF2159E](#) [30057](#) [AFS1575.42S4-T](#) [FM-104-PIN](#)
[CER0813B](#) [MAPDCC0005](#) [3A325](#) [40287](#) [41180](#) [ATB3225-75032NCT](#) [BD0810N50100AHF](#) [JHS-115-PIN](#) [DC0710J5005AHF](#)
[DC2327J5005AHF](#) [43020](#) [LFB2H2G60BB1C106](#) [LFL15869MTC1B787](#) [X3C19F1-20S](#) [XC3500P-20S](#) [10013-20](#) [SF2194E](#)
[CDBLB455KCAX39-B0](#) [TGL2208-SM, EVAL](#) [RF1353C](#) [051157-0000](#) [PD0922J5050D2HF](#) [1E1305-3](#) [1F1304-3S](#) [1G1304-30](#)
[B0922J7575AHF](#) [10017-3](#) [TP-103-PIN](#) [BD1222J50200AHF](#) [BD1722J50100AHF](#) [2450DP39K5400E](#) [BD0810J50150AHF](#)
[BD1722J50200AHF](#)