

SK3020RB

Band2, RF-Rx Balance SAW Filter
Revision 0: August 2016

MSL 3 Device



- Electrical Characteristics**
 - Package Dimensions**
 - Testing Environment**
 - Frequency Characteristics**
-

□ Electrical Characteristics

Maximum Ratings

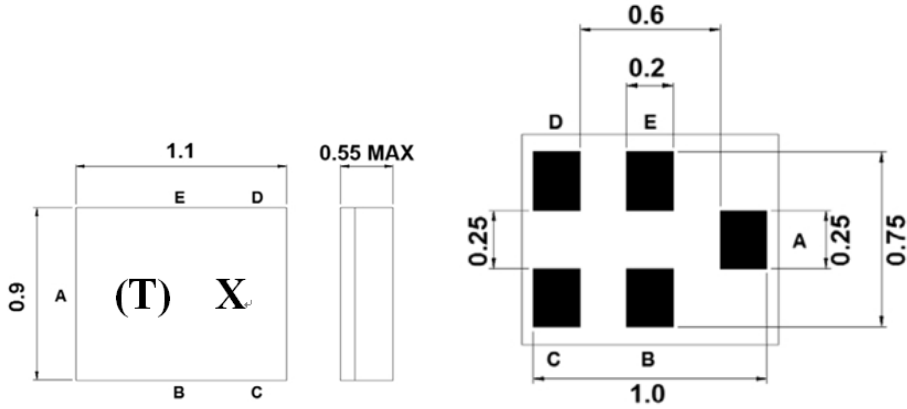
Parameters Description	Unit	Minimum	Typical	Maximum
Operating Temperature Range	°C	-30	-	+85
Storage Temperature Range	°C	-40	-	+85
Maximum DC Voltage	V	-	-	-
Maximum Input Power	dBm	-	-	10
Source Impedance (unbalance) ⁽¹⁾	□	-	50	-
Load Impedance (balance) ⁽¹⁾	□	-	100//27nH	-
Package type & size	C14			
Length x Width	mm ²	-	1.1 x 0.9	-
Height	mm	-	-	0.55

Electrical Specification

Parameters Description	Unit	Minimum	Typical @+25°C	Maximum	Remarks
Center Frequency (Fo)	MHz	-	1960.0	-	
Insertion Loss within 1930.0 ~ 1990.0 MHz	dB	-	2.8	3.7	@1930.6~1989.4
	dB	-	-	4.0	
Amplitude Ripple within 1930.0 ~ 1990.0 MHz	dB _{p-p}	-	1.1	2.3	@1930.6~1989.4
	dB _{p-p}	-	-	2.6	
Input VSWR within 1930.0 ~ 1990.0 MHz	-	-	2.0	2.2	
Output VSWR within 1930.0 ~ 1990.0 MHz	-	-	2.0	2.3	
Amplitude balance within 1930.0 ~ 1990.0 MHz	dB	-1.8	-0.9/+1.0	+1.8	
Phase balance within 1930.0 ~ 1990.0 MHz	deg.	-15	-4.6/+8.5	+15	
Attenuation:					
10.0 ~ 1850.0 MHz	dB	40	54	-	
824.0 ~ 849.0 MHz	dB	50	62	-	
1850.0 ~ 1910.0 MHz	dB	35	46	-	
2020.0 ~ 2070.0 MHz	dB	15	22	-	
2070.0 ~ 6000.0 MHz	dB	25	32	-	

Notes : (1) With Matching Network.

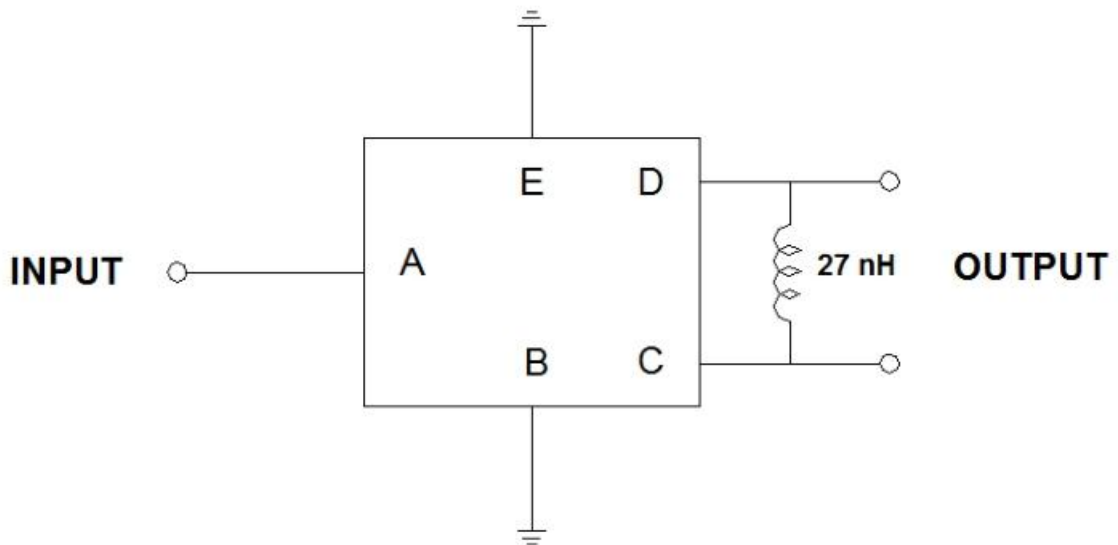
□ Package Dimensions



Marking Descriptions	
(T)	Series Number
X	Date Code(Year+Month)

Pin Description	
B, E	Ground
A	Input
C, D	Balanced Output

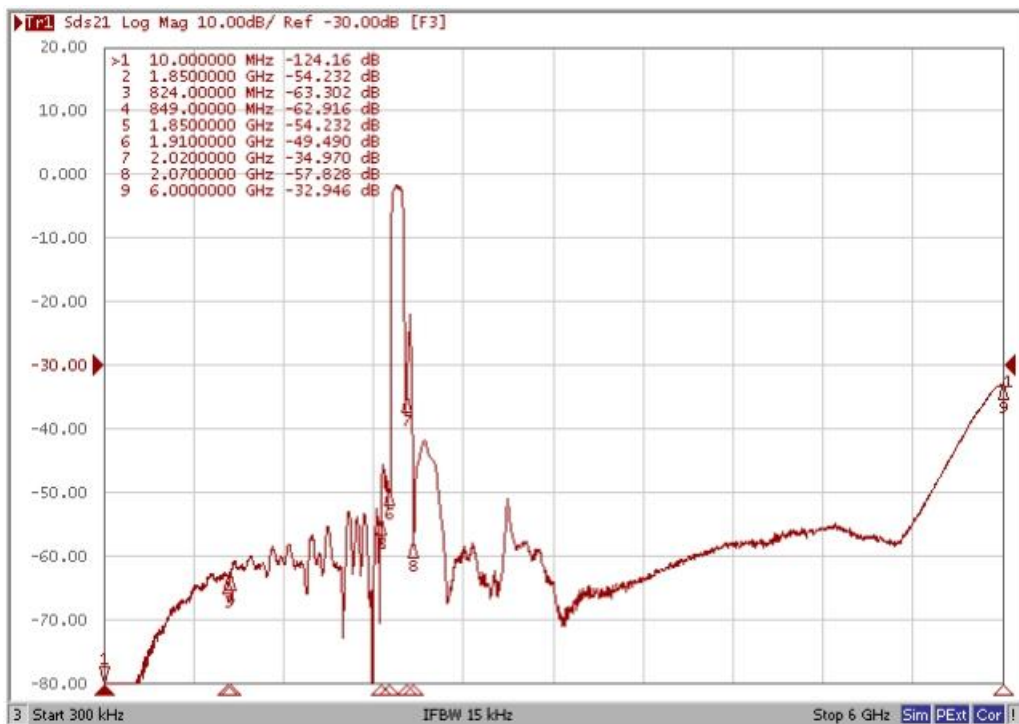
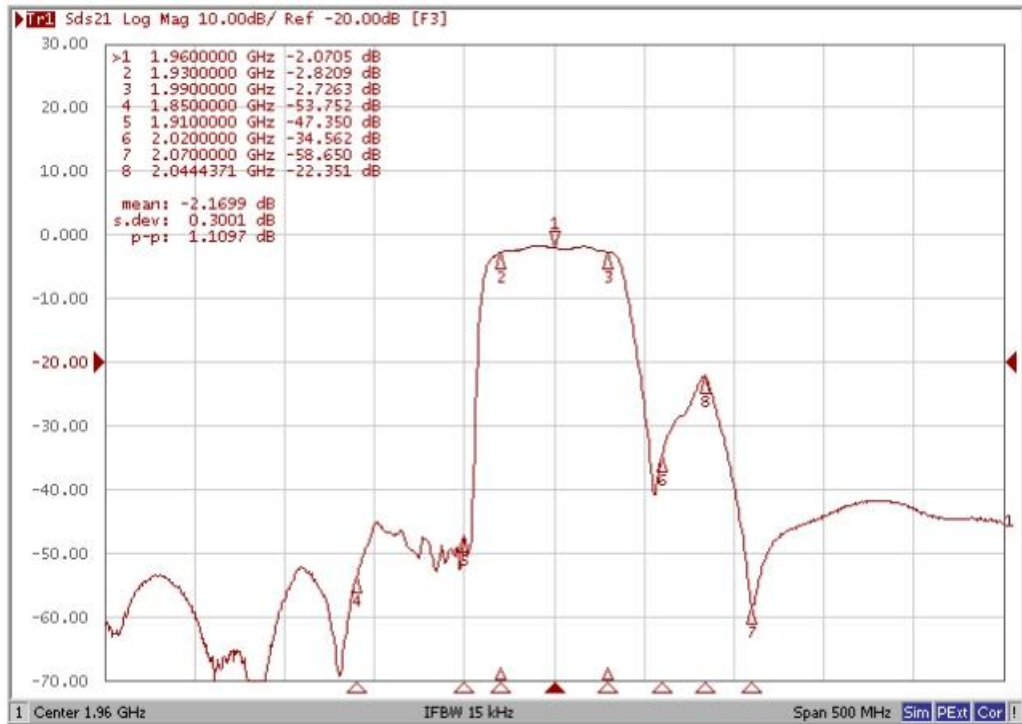
□ Testing Environment



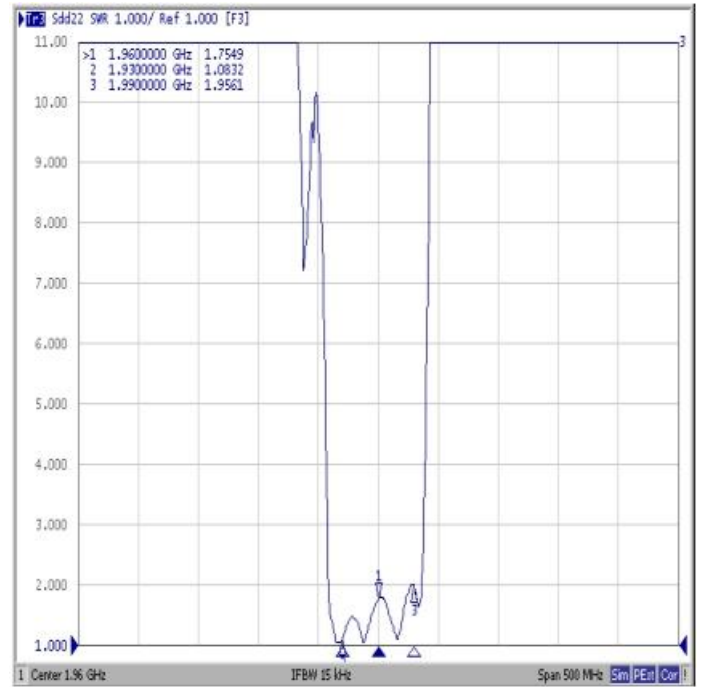
Source Impedance: 50
Load Impedance : 100

□ Frequency Characteristics

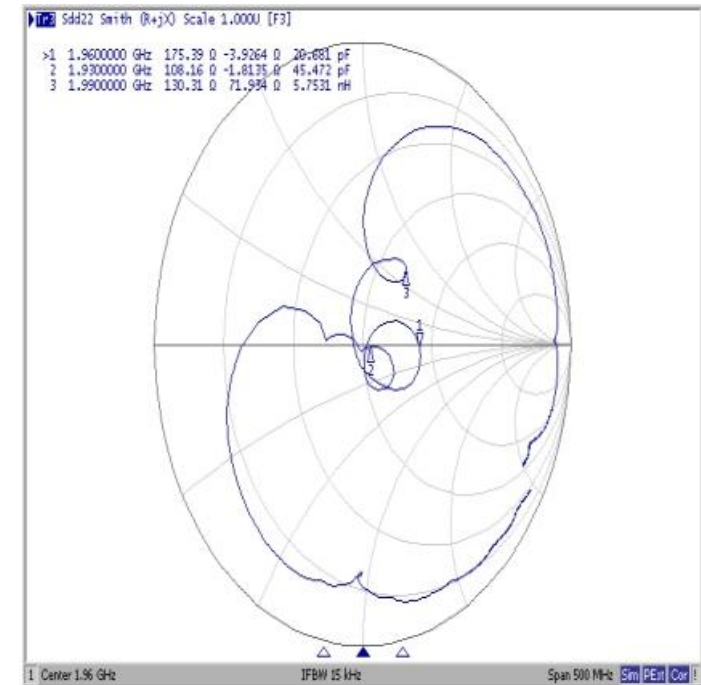
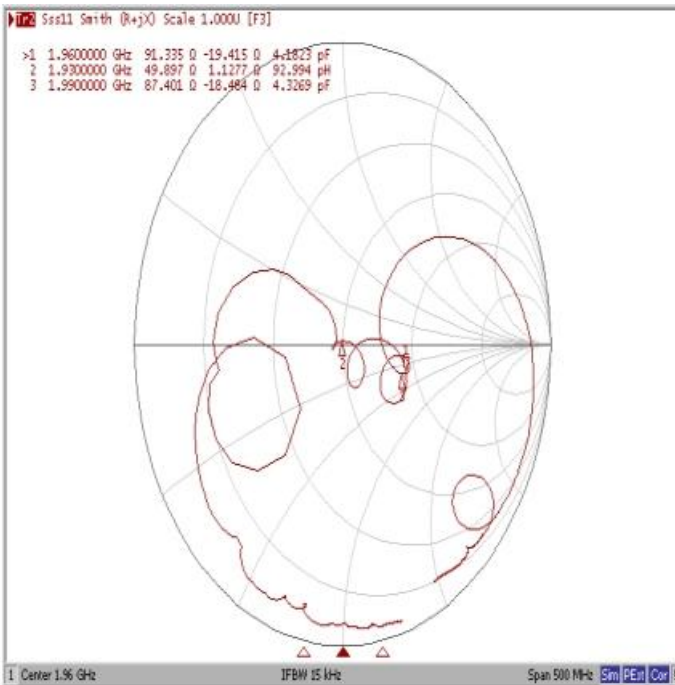
Frequency Response



VSWR



Smith Chart



Amplitude balance



Phase balance



X-ON Electronics

Largest Supplier of Electrical and Electronic Components

Click to view similar products for [Signal Conditioning](#) category:

Click to view products by [Suntek](#) manufacturer:

Other Similar products are found below :

[MAPDCC0001](#) [MAPDCC0004](#) [PD0409J5050S2HF](#) [HHS-109-PIN](#) [AFS14A35-1591.50-T3](#) [DS-323-PIN](#) [DSS-313-PIN](#) [B39321R801H210](#)
[1A0220-3](#) [JP510S](#) [LFB212G45SG8C341](#) [LFB322G45SN1A504](#) [LFL182G45TC3B746](#) [SF2159E](#) [30057](#) [AFS1575.42S4-T](#) [FM-104-PIN](#)
[CER0813B](#) [MAPDCC0005](#) [3A325](#) [40287](#) [41180](#) [ATB3225-75032NCT](#) [BD0810N50100AHF](#) [JHS-115-PIN](#) [DC0710J5005AHF](#)
[DC2327J5005AHF](#) [43020](#) [LFB2H2G60BB1C106](#) [LFL15869MTC1B787](#) [X3C19F1-20S](#) [XC3500P-20S](#) [10013-20](#) [SF2194E](#)
[CDBLB455KCAX39-B0](#) [TGL2208-SM, EVAL](#) [RF1353C](#) [051157-0000](#) [PD0922J5050D2HF](#) [1E1305-3](#) [1F1304-3S](#) [1G1304-30](#)
[B0922J7575AHF](#) [10017-3](#) [TP-103-PIN](#) [BD1222J50200AHF](#) [BD1722J50100AHF](#) [2450DP39K5400E](#) [BD0810J50150AHF](#)
[BD1722J50200AHF](#)