

SK3280R

Band28, RF-Rx SAW Filter
Revision 1.0 : April 2020

MSL 3 Device



- Features
- Specifications
- Matching Configuration
- Package Dimension
- Typical Performance
- Package
- Reflow Temperature

Features

- ◇ For RF SAW filter
- ◇ Single-ended operation
- ◇ CSP Package
- ◇ RoHS compliant (2002/95/EC), Pb-free

Specifications

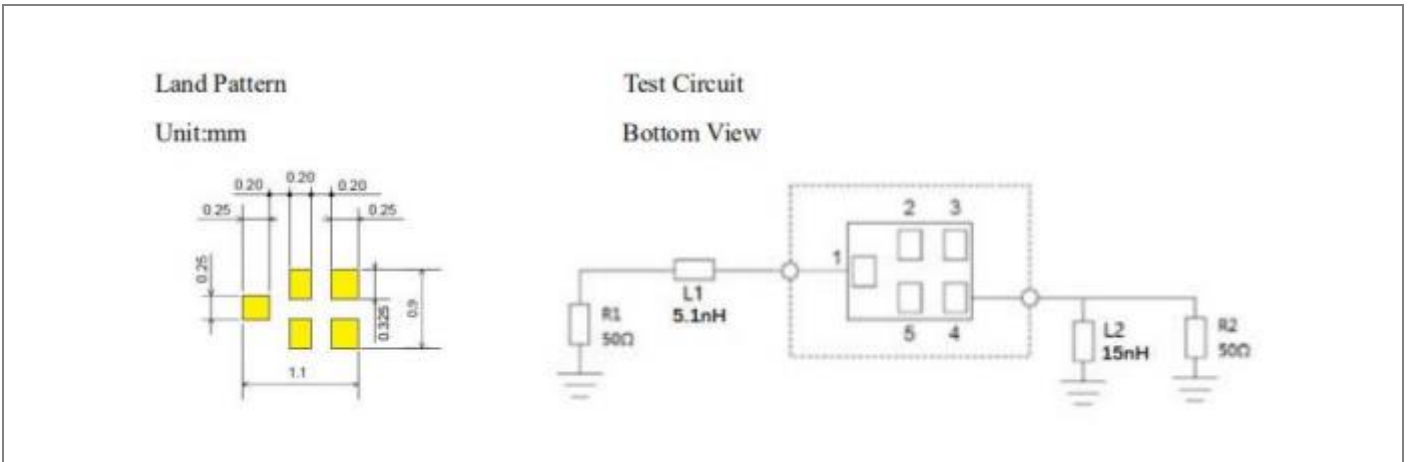
| Parameter | Unit | Minimum | Typical | Maximum |
|--|---|---------|---------|---------|
| ANT To RX | | | | |
| <i>Insertion Loss(758.~803MHz)</i> | dB | | 1.9 | 2.5 |
| <i>Passband Variation(758.~803MHz)</i> | dB | - | 0.9 | 2.0 |
| VSWR | <i>758.~803MHz(Input)</i> | | 1.7 | 2.1 |
| | <i>758~803MHz(Output)</i> | | 1.7 | 2.0 |
| Absolute Attenuation | <i>80~703MHz</i> | dB | 30 | - |
| | <i>45~65MHz</i> | dB | 50 | |
| | <i>703~733 MHz</i> | dB | 39 | 43 |
| | <i>733~748 MHz</i> | dB | 35 | 40 |
| | <i>825~6000 MHz</i> | dB | 19 | 20 |
| | <i>830~915MHz</i> | dB | 19 | 22 |
| | <i>1516~1606MHz</i> | dB | 35 | 41 |
| | <i>1705~1785 MHz</i> | dB | 33 | 38 |
| | <i>1850~1915 MHz</i> | dB | 31 | 37 |
| | <i>1920~2025 MHz</i> | dB | 30 | 36 |
| | <i>2274~2409MHz</i> | dB | 33 | 38 |
| | <i>2400~2500 MHz</i> | dB | 29 | 36 |
| | <i>4900~5950MHz</i> | dB | 20 | 25 |
| Harmonics | 2nd harmonics Pin =Pmax, LTE 5MHz,1RB,50% DC(TDD) or CW(FDD), VSWR<=4:1,25°C | dBm | | -40 |
| | 3rd harmonics Pin =Pmax, LTE 5MHz,1RB,50% DC(TDD) or CW(FDD), VSWR<=4:1,25°C | dBm | | -40 |
| | Other higher-order harmonics(<=12.75G) Pin =Pmax, LTE 5MHz,1RB,50% DC(TDD) or CW(FDD), VSWR<=4:1,25°C | dBm | | -40 |
| | 2nd harmonics | dBm | | -36 |

| | | | | | |
|------------------------------------|---|------------------------|--------|---|-----|
| | Pin =Pmax, LTE 5MHz,1RB,50% DC(TDD) or CW(FDD), VSWR<=4:1,15~85°C | | | | |
| | 3rd harmonics Pin =Pmax, LTE 5MHz,1RB,50% DC(TDD) or CW(FDD), VSWR<=4:1,15~85°C | dBm | | | -36 |
| | Other higher-order harmonics(<=12.75G) Pin =Pmax, LTE 5MHz,1RB,50% DC(TDD) or CW(FDD), VSWR<=4:1,15~85°C | dBm | | | -36 |
| MSL | | | 3 | | |
| ESD | | V | > 100V | | |
| <i>Input Signal Level</i> | | 15dBm, CW, 3000h, 50°C | | | |
| <i>Operating Temperature Range</i> | | ° C | -40 | - | +85 |
| <i>Storage Temperature Range</i> | | ° C | -40 | - | +85 |
| <i>Package Size</i> | | CSP1.1*0.9 | | | |

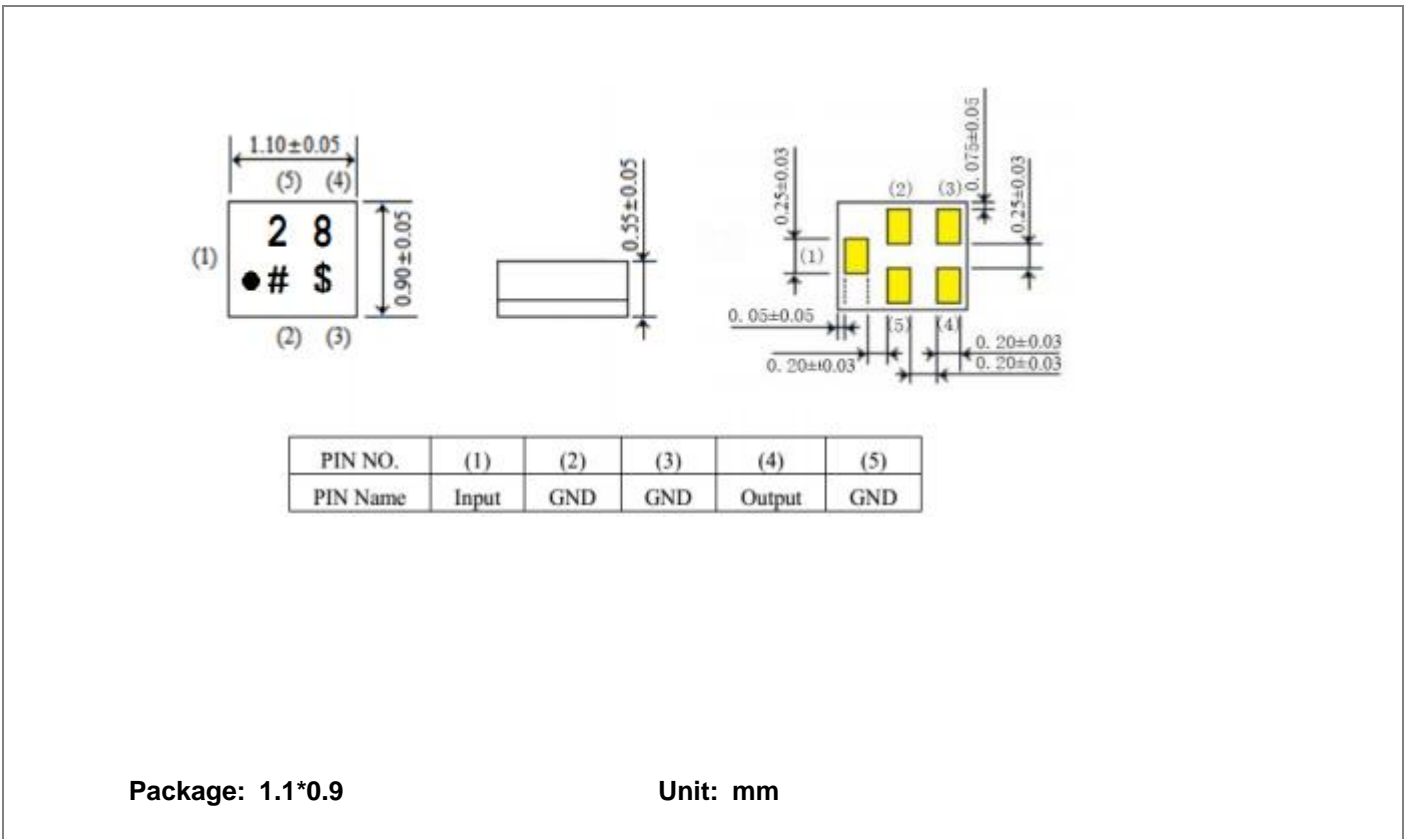
Notes:

1. All specifications are based on the test circuit shown;
2. In production, all specifications are measured by Agilent Network analyzer and full 2 port calibration at room temperature;
3. Electrical margin has been built into the design to account for the variations due to temperature drift and manufacturing tolerances;
4. This is the optimum impedance in order to achieve the performance show.

Matching Configuration

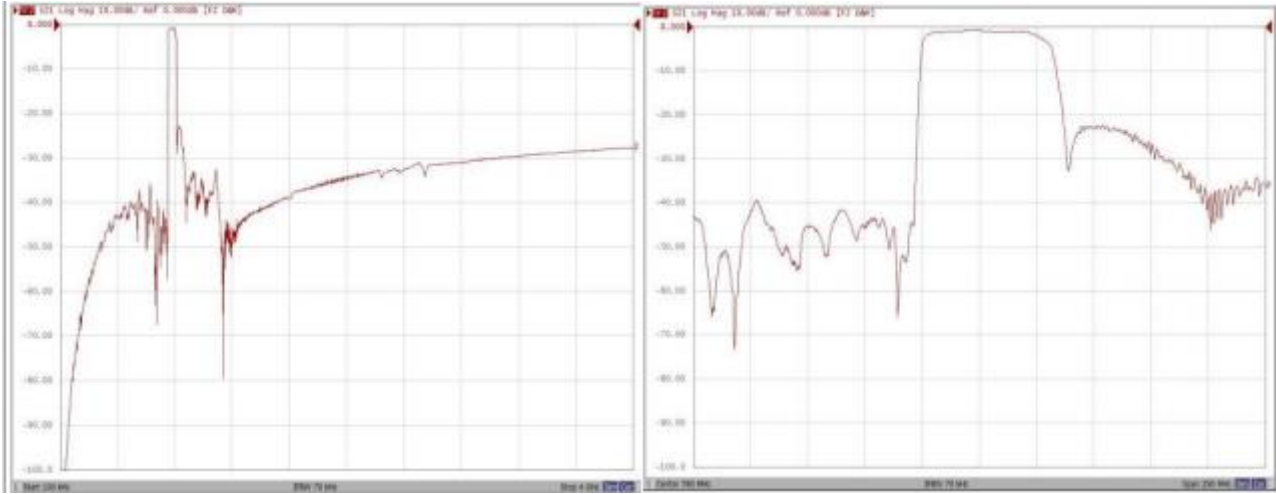


Package Dimension

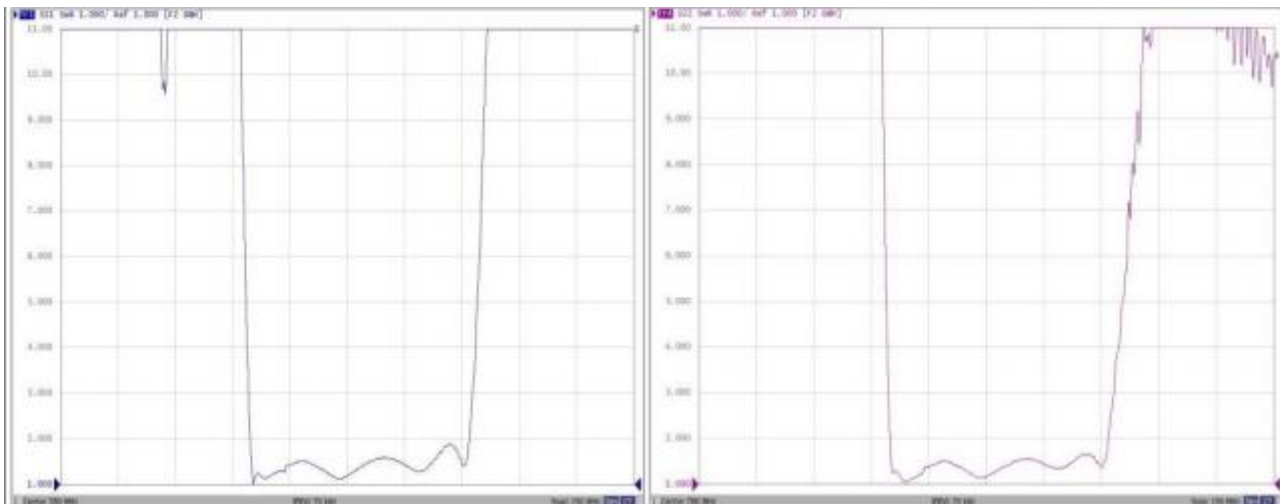


Typical Performance

Frequency Response

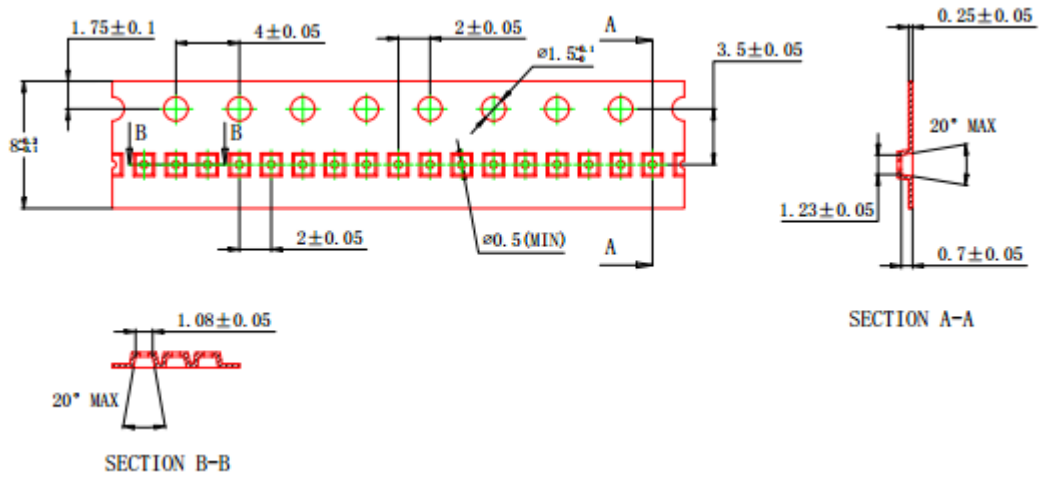


VSWR

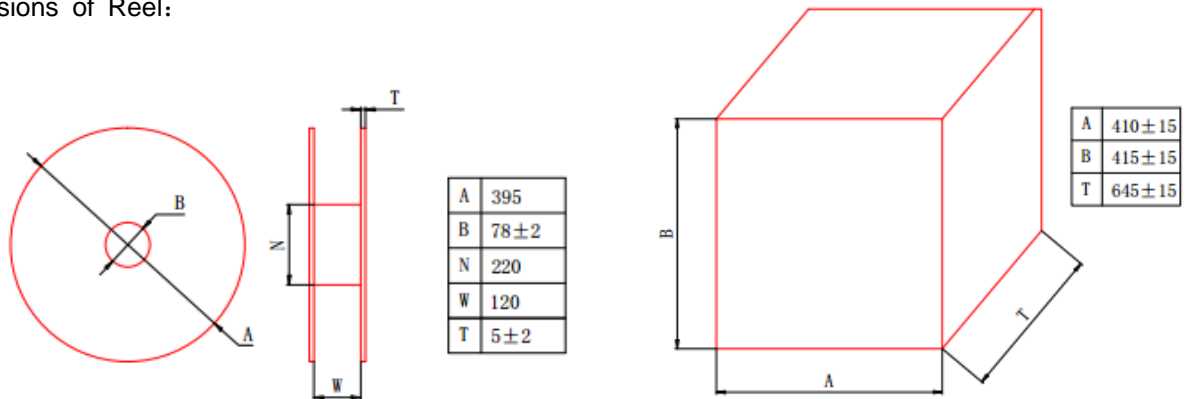


Package

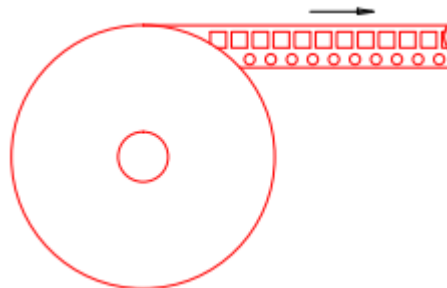
① Dimensions of Tape:



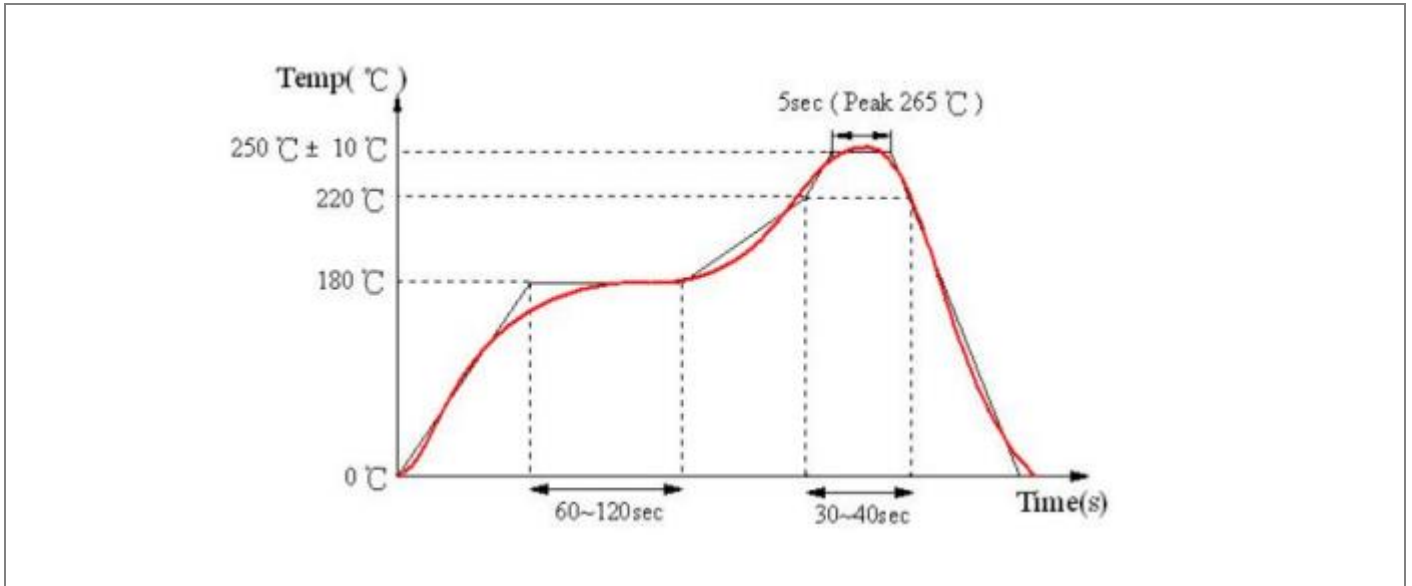
② Dimensions of Reel:



③ Direction of carrier tape:



Reflow Temperature



X-ON Electronics

Largest Supplier of Electrical and Electronic Components

Click to view similar products for [Signal Conditioning](#) category:

Click to view products by [Suntek](#) manufacturer:

Other Similar products are found below :

[MAPDCC0001](#) [MAPDCC0004](#) [PD0409J5050S2HF](#) [HHS-109-PIN](#) [AFS14A35-1591.50-T3](#) [DS-323-PIN](#) [1A0220-3](#) [JP510S](#)
[LFB212G45SG8C341](#) [LFB322G45SN1A504](#) [LFL182G45TC3B746](#) [SF2159E](#) [30057](#) [AFS1575.42S4-T](#) [FM-104-PIN](#) [CER0813B](#)
[MAPDCC0005](#) [3A325](#) [40287](#) [ATB3225-75032NCT](#) [BD0810N50100AHF](#) [JHS-115-PIN](#) [DC0710J5005AHF](#) [DC2327J5005AHF](#) [43020](#)
[LFB2H2G60BB1C106](#) [LFL15869MTC1B787](#) [X3C19F1-20S](#) [XC3500P-20S](#) [10013-20](#) [SF2194E](#) [CDBLB455KCAX39-B0](#) [RF1353C](#)
[051157-0000](#) [PD0922J5050D2HF](#) [1E1305-3](#) [1F1304-3S](#) [1G1304-30](#) [B0922J7575AHF](#) [10017-3](#) [TP-103-PIN](#) [BD1222J50200AHF](#)
[BD1722J50100AHF](#) [2450DP39K5400E](#) [BD0810J50150AHF](#) [BD1722J50200AHF](#) [DSS-113-PIN](#) [DS-327-PIN](#) [MACP-008125-CK07F0](#) [DS-329-PIN](#)