



SK3400R

LTE-Band40, RF SAW Filter
Revision 1 : December 2015

MSL 3 Device



- Electrical Characteristics**
 - Package Dimensions**
 - Testing Environment**
 - Frequency Characteristics**
-

□ Electrical Characteristics

Maximum Ratings

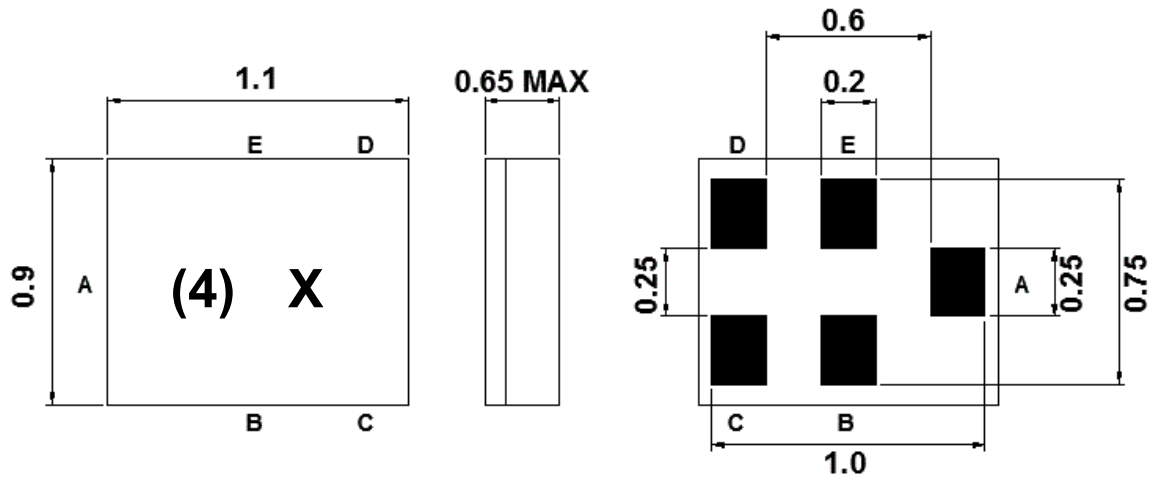
| Parameters Description | Unit | Minimum | Typical | Maximum |
|--|-----------------|---------|-----------|---------|
| Operating Temperature Range | °C | -30 | - | +85 |
| Storage Temperature Range | °C | -40 | - | +85 |
| Maximum DC Voltage | V | - | - | 0 |
| Maximum Input Power | dBm | - | - | 10 |
| Source Impedance (single ended) ⁽¹⁾ | Ω | - | 50 | - |
| Load Impedance (single ended) ⁽¹⁾ | Ω | - | 50 | - |
| Package type & size | C12 | | | |
| Length x Width | mm ² | - | 1.1 x 0.9 | - |
| Height | mm | - | - | 0.65 |

Electrical Specification

| Parameters Description | Unit | Minimum | Typical | Maximum |
|---|-------------------|---------|---------|---------|
| Center Frequency (Fo) | MHz | - | 2350.0 | - |
| Max.Insertion Loss within 2300.0~2400.0 MHz | dB | - | 1.9 | 2.8 |
| Amplitude Ripple within 2300.0~2400.0 MHz | dB _{p-p} | - | 1.2 | 2.3 |
| Attenuation: | | | | |
| 10.0 ~ 1574.0 MHz | dB | 20 | 29 | - |
| 1574.0 ~ 1577.0 MHz | dB | 20 | 29 | - |
| 1577.0 ~ 1680.0 MHz | dB | 20 | 27 | - |
| 1845.0 ~ 1880.0 MHz | dB | 18 | 25 | - |
| 2110.0 ~ 2170.0 MHz | dB | 18 | 25 | - |
| 2240.0 ~ 2285.0 MHz | dB | 1.5 | 7 | - |
| 2415.0 ~ 2420.0 MHz | dB | 1.5 | 5 | - |
| 2420.0 ~ 2460.0 MHz | dB | 3 | 6 | - |
| 2460.0 ~ 2485.0 MHz | dB | 30 | 43 | - |
| 2485.0 ~ 2500.0 MHz | dB | 30 | 48 | - |
| 2500.0 ~ 3000.0 MHz | dB | 20 | 26 | - |
| 4600.0 ~ 4800.0 MHz | dB | 20 | 25 | - |
| 4800.0 ~ 6000.0 MHz | dB | 18 | 21 | - |
| VSWR within 2300.0~2400.0 MHz | - | - | 1.5 | 2.0 |

Notes : (1) With Matching Network .

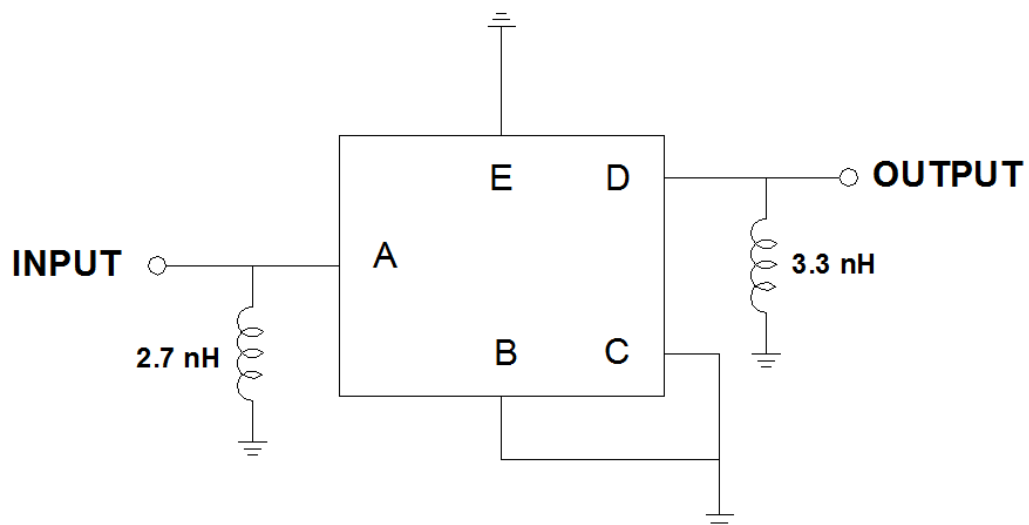
Package Dimensions



| Marking Descriptions | |
|----------------------|-----------------------|
| (4) | Series Number |
| X | Date Code(Year+Month) |

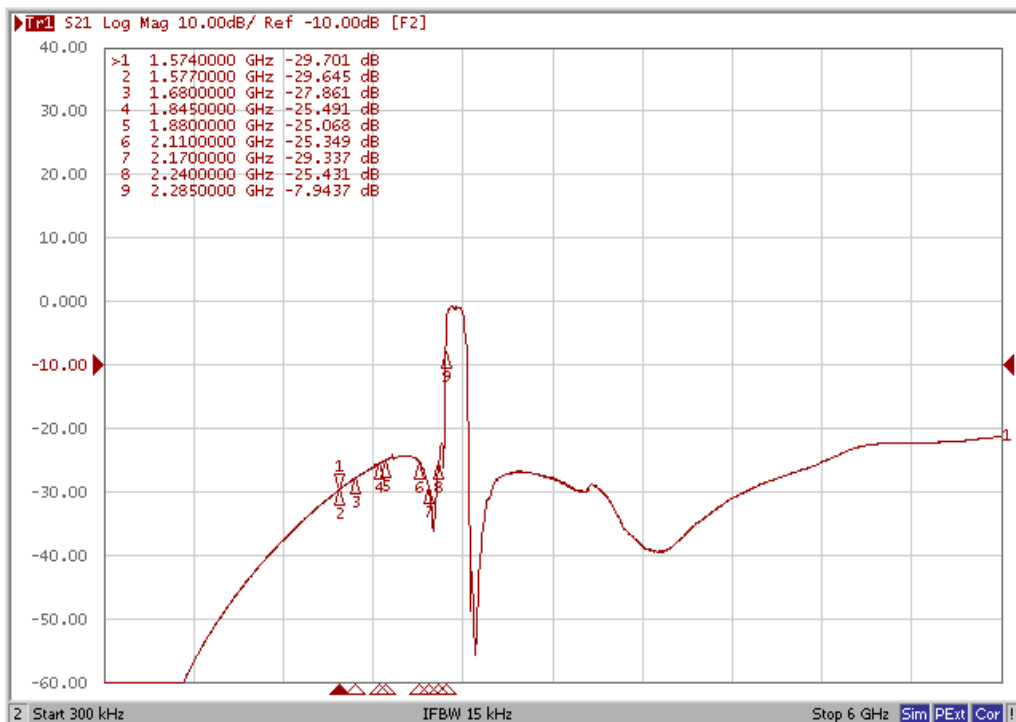
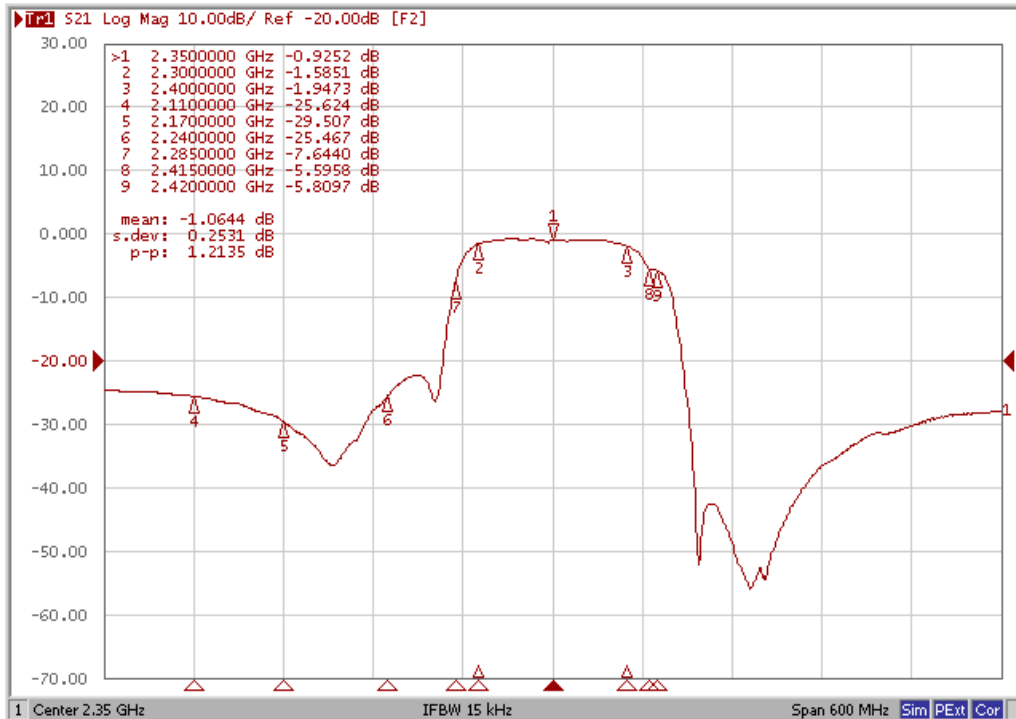
| Pin Description | |
|-----------------|--------|
| B, C, E | Ground |
| A | Input |
| D | Output |

Testing Environment

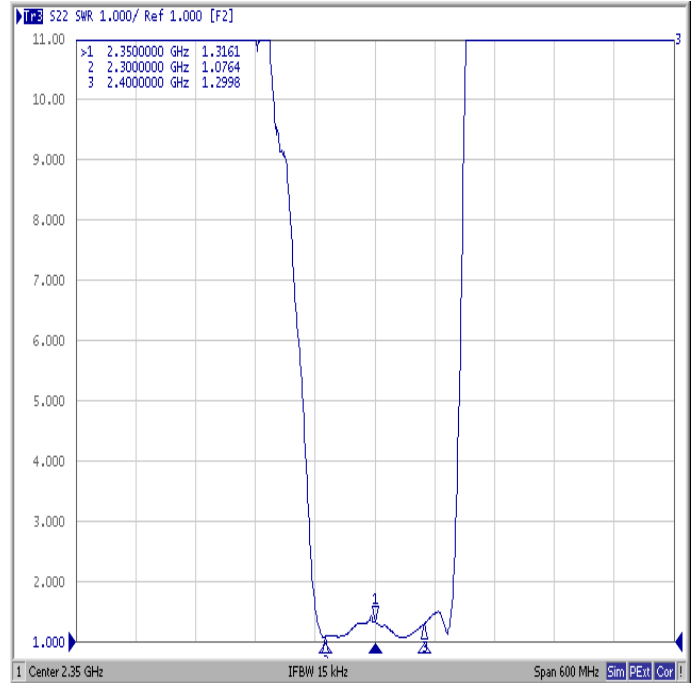
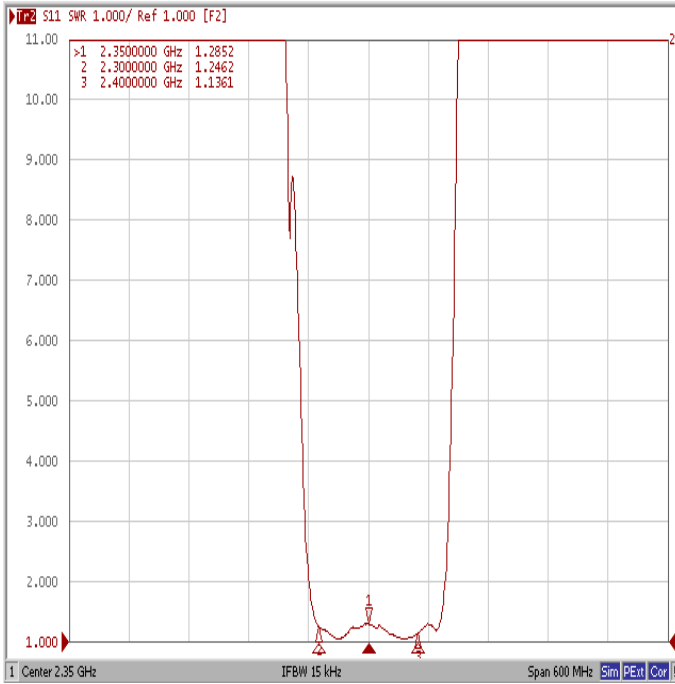


□ Frequency Characteristics

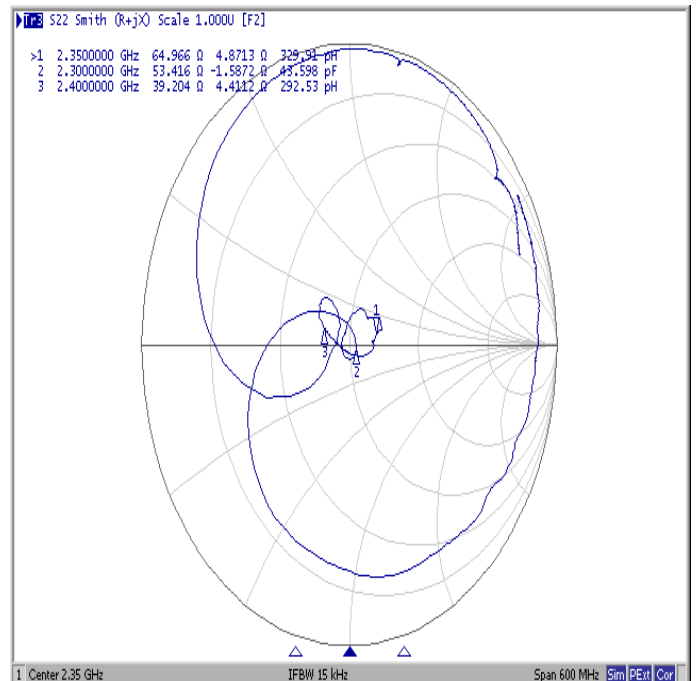
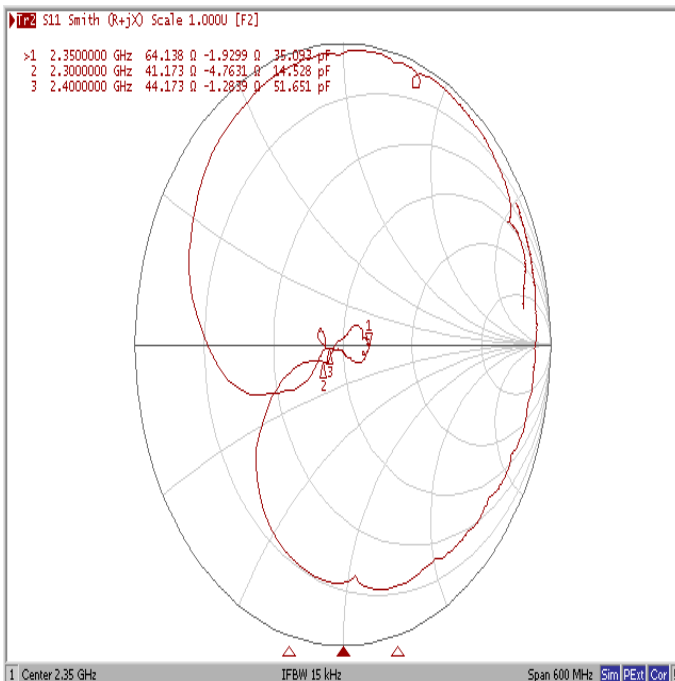
Frequency Response



VSWR



Smith Chart



X-ON Electronics

Largest Supplier of Electrical and Electronic Components

Click to view similar products for [Signal Conditioning](#) category:

Click to view products by [Suntek](#) manufacturer:

Other Similar products are found below :

[MAPDCC0001](#) [MAPDCC0004](#) [PD0409J5050S2HF](#) [HHS-109-PIN](#) [AFS14A30-2185.00-T3](#) [AFS14A35-1591.50-T3](#) [DS-323-PIN](#) [DSS-313-PIN](#) [B39321R801H210](#) [1A0220-3](#) [JP510S](#) [LFB212G45SG8C341](#) [LFB322G45SN1A504](#) [LFL182G45TC3B746](#) [SF2159E](#) [30057](#)
[AFS1575.42S4-T](#) [FM-104-PIN](#) [CER0813B](#) [MAPDCC0005](#) [3A325](#) [40287](#) [41180](#) [ATB3225-75032NCT](#) [BD0810N50100AHF](#) [JHS-115-PIN](#)
[DC0710J5005AHF](#) [DC2327J5005AHF](#) [43020](#) [LFB2H2G60BB1C106](#) [LFL15869MTC1B787](#) [X3C19F1-20S](#) [XC3500P-20S](#) [10013-20](#)
[SF2194E](#) [CDBLB455KCAX39-B0](#) [TGL2208-SM, EVAL](#) [RF1353C](#) [051157-0000](#) [PD0922J5050D2HF](#) [1E1305-3](#) [1F1304-3S](#) [1G1304-30](#)
[B0922J7575AHF](#) [10017-3](#) [TP-103-PIN](#) [BD1222J50200AHF](#) [BD1722J50100AHF](#) [2450DP39K5400E](#) [BD0810J50150AHF](#)