



---

# SK3410R

Band41, RF-Rx SAW Filter  
Revision 0 : August 2016

MSL 3 Device



- Electrical Characteristics
  - Package Dimensions
  - Testing Environment
  - Frequency Characteristics
-

## □ Electrical Characteristics

### Maximum Ratings

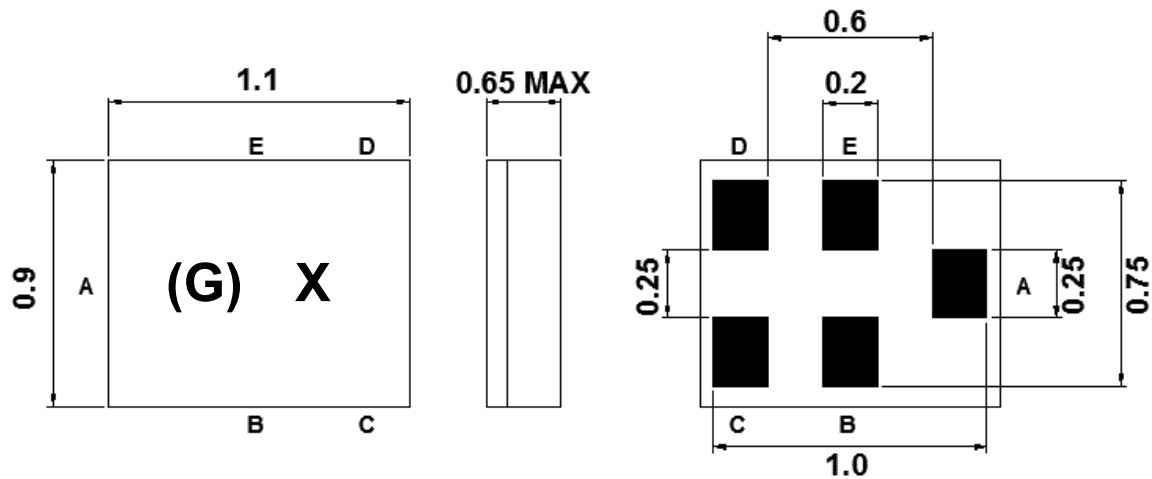
Parameters Description	Unit	Minimum	Typical	Maximum
Operating Temperature Range	°C	-20	-	+85
Storage Temperature Range	°C	-40	-	+85
Maximum DC Voltage	V	-	-	0
Maximum Input Power	dBm	-	-	10
Source Impedance (Unbalance)	Ω	-	50	-
Load Impedance (Unbalance)	Ω	-	50	-
Package type & size	C14			
Length x Width	mm <sup>2</sup>	-	1.1 x 0.9	-
Height	mm	-	-	0.65

### Electrical Specification

Parameters Description	Unit	Minimum	Typical	Maximum	Remarks
Center Frequency (Fo)	MHz	-	2605.0	-	-
Insertion Loss within 2555.0 ~ 2575.0 MHz	dB	-	2.6	3.8	-
2575.0 ~ 2635.0 MHz	dB	-	1.6	2.6	-
2635.0 ~ 2655.0 MHz	dB	-	2.5	3.5	-
2555.0 ~ 2575.0 MHz	dB	-	2.6	3.0	+23 ~ +27°C
2575.0 ~ 2635.0 MHz	dB	-	1.6	2.4	+23 ~ +27°C
2635.0 ~ 2655.0 MHz	dB	-	2.5	3.0	+23 ~ +27°C
Amplitude Ripple within 2555.0 ~ 2655.0 MHz	dB <sub>p-p</sub>	-	1.3	2.5	-
2555.0 ~ 2655.0 MHz	dB <sub>p-p</sub>	-	1.3	2.0	+23 ~ +27°C
<b>Attenuation:</b>					
10.0 ~ 960.0 MHz	dB	32	36	-	-
1225.0 ~ 1559.0 MHz	dB	30	33	-	-
1559.0 ~ 1606.0 MHz	dB	30	33	-	-
1606.0 ~ 1710.0 MHz	dB	28	32	-	-
1710.0 ~ 2170.0 MHz	dB	28	32	-	-
2170.0 ~ 2400.0 MHz	dB	28	32	-	-
2401.0 ~ 2438.0 MHz	dB	35	40	-	-
2421.0 ~ 2483.0 MHz	dB	35	40	-	-
2750.0 ~ 4900.0 MHz	dB	27	32	-	-
4900.0 ~ 6000.0 MHz	dB	40	50	-	-
6000.0 ~ 8000.0 MHz	dB	40	55	-	-
VSWR within 2555.0 ~ 2655.0 MHz	-	-	1.5	2.2	-
2555.0 ~ 2655.0 MHz	-	-	1.5	2.2	+23 ~ +27°C

**Notes :** (1) With Matching Network (Ref. Testing Environment Circuit as shown below).

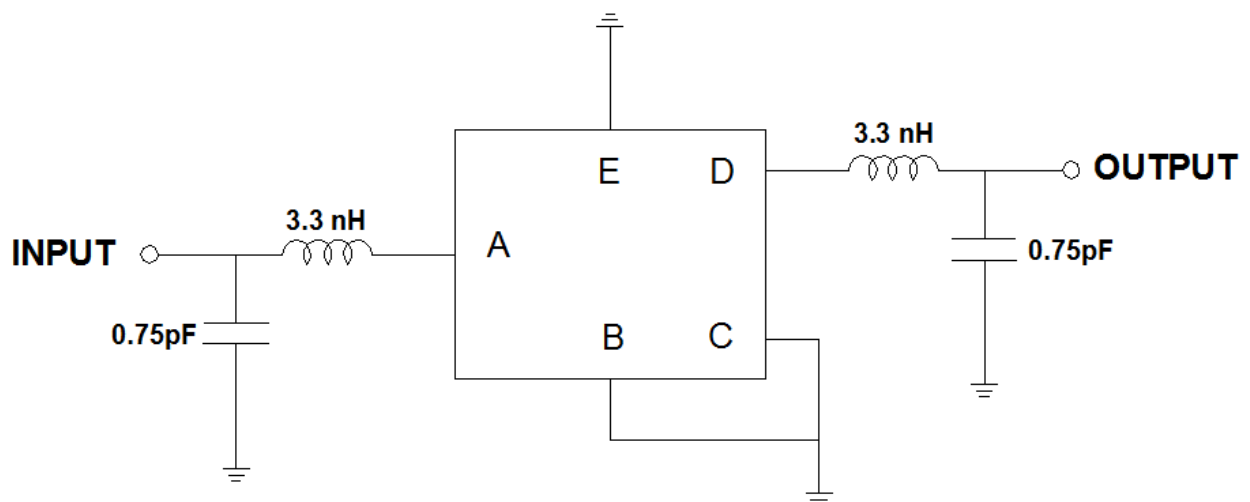
## □ Package Dimensions



Marking Descriptions	
(G)	Series Number
X	Date Code(Year+Month)

Pin Description	
B, C, E	Ground
A	Input
D	Output

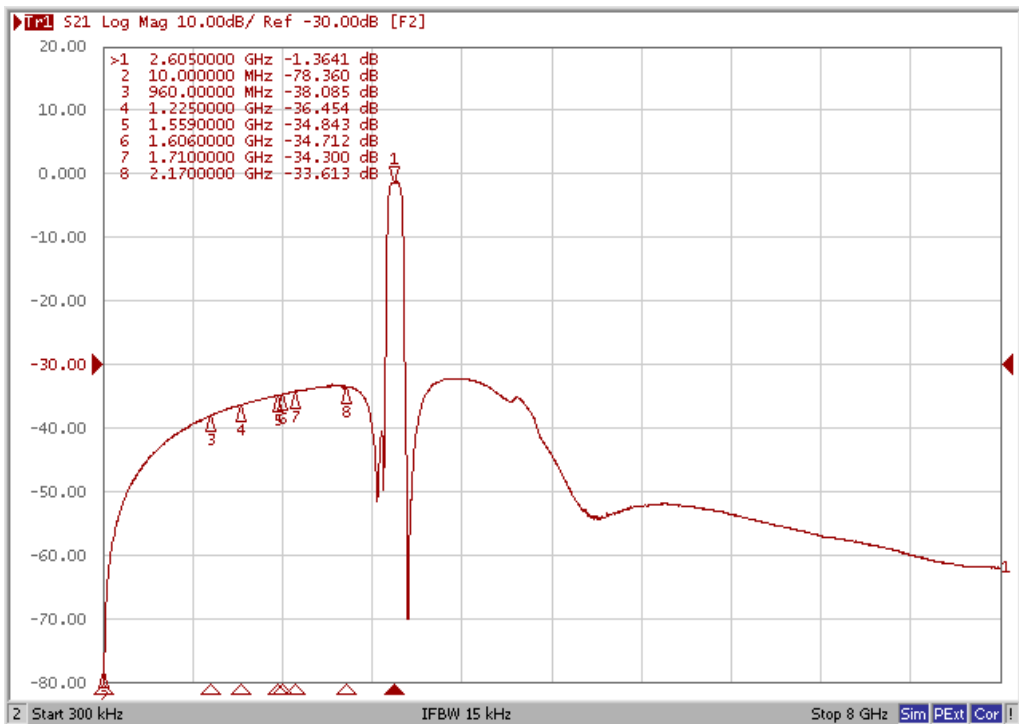
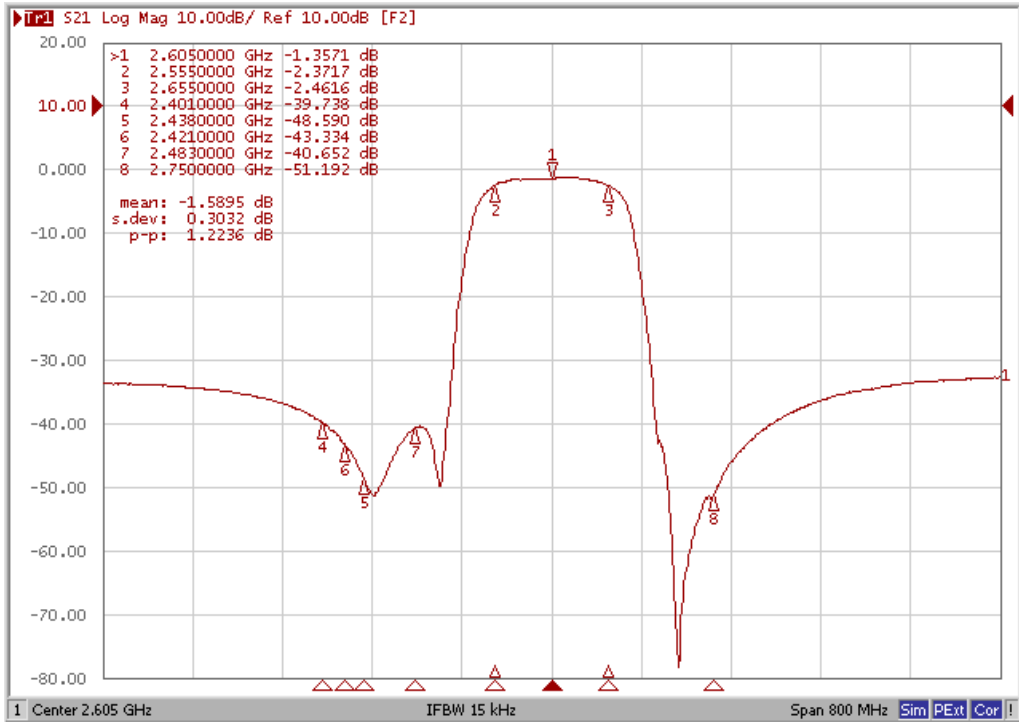
## □ Testing Environment



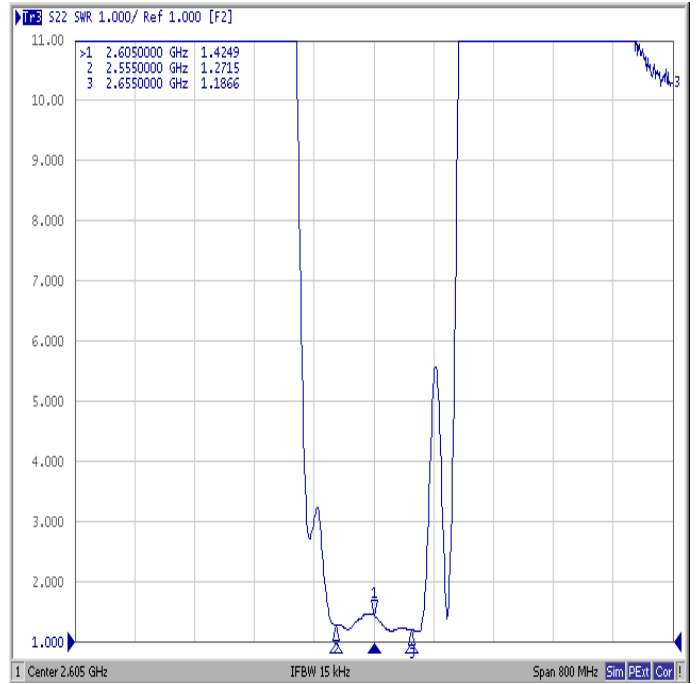
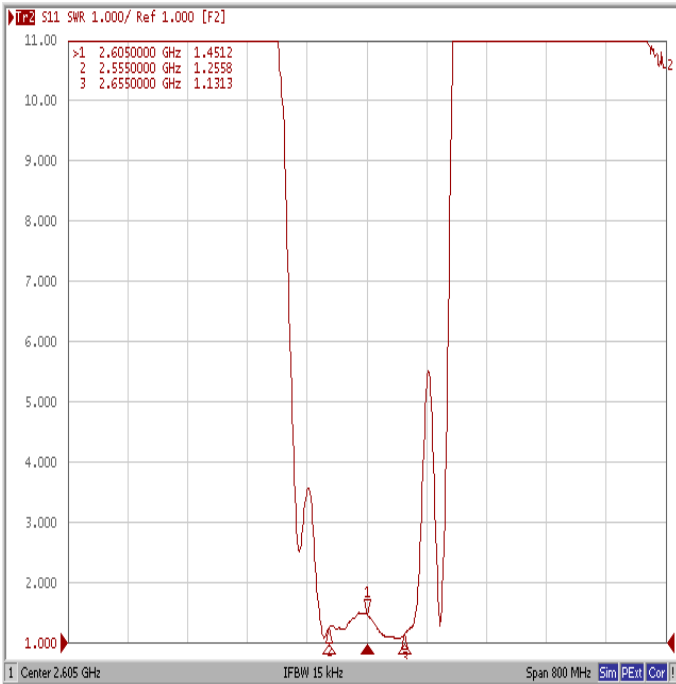
Source & Load Impedance: 50  $\Omega$

# Frequency Characteristics

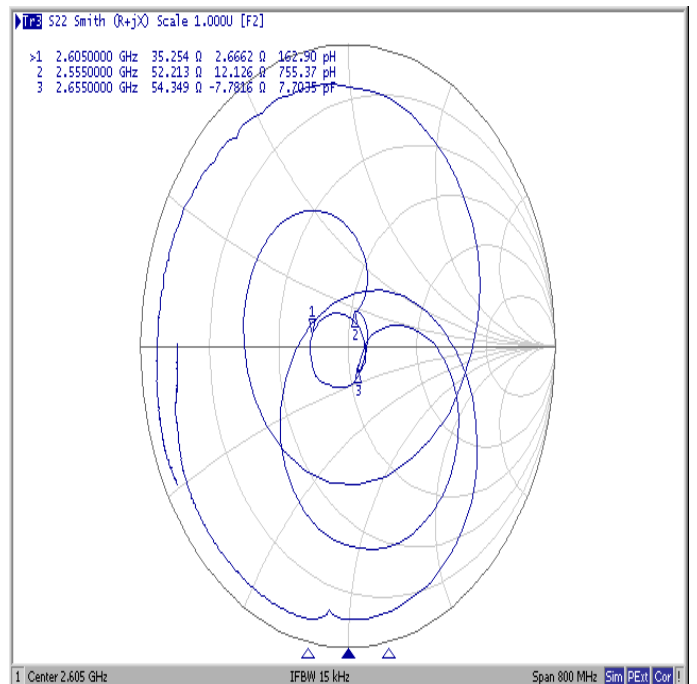
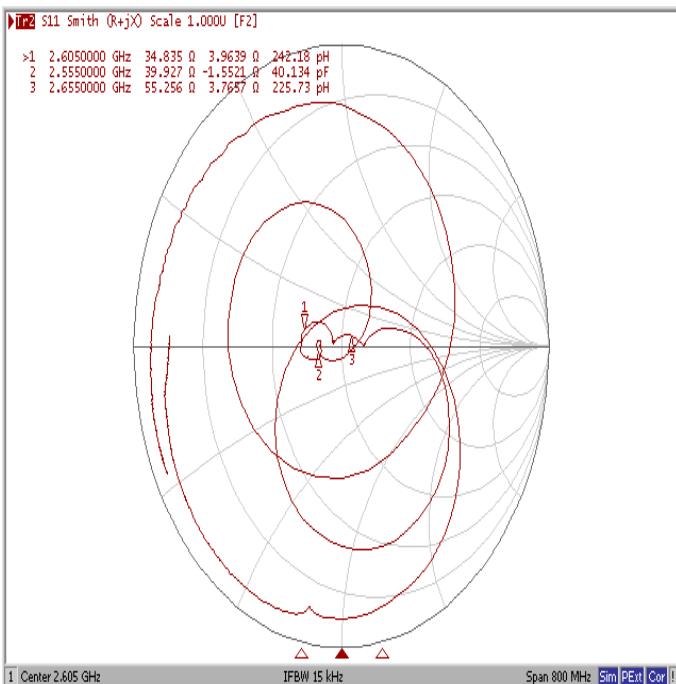
Frequency Response



### VSWR



### Smith Chart



## X-ON Electronics

Largest Supplier of Electrical and Electronic Components

*Click to view similar products for [Signal Conditioning](#) category:*

*Click to view products by [Suntek](#) manufacturer:*

Other Similar products are found below :

[PD0409J5050S2HF](#) [HHS-109-PIN](#) [AFS14A35-1591.50-T3](#) [JP510S](#) [LFB322G45SN1A504](#) [SF2159E](#) [FM-104-PIN](#) [CER0813B](#)  
[MAPDCC0005](#) [3A325](#) [BD0810N50100AHF](#) [DC0710J5005AHF](#) [DC2327J5005AHF](#) [LFL15869MTC1B787](#) [X3C19F1-20S](#)  
[CDBLB455KCAX39-B0](#) [RF1353C](#) [051157-0000](#) [PD0922J5050D2HF](#) [600S150FTRB](#) [1E1305-3](#) [1F1304-3S](#) [TP-103-PIN](#)  
[BD1222J50200AHF](#) [BD1722J50100AHF](#) [2450DP39K5400E](#) [BD0810J50150AHF](#) [BD1722J50200AHF](#) [DS-327-PIN](#) [MACP-008125-](#)  
[CK07F0](#) [DS-329-PIN](#) [DS-313-PIN](#) [TP-104-PIN](#) [TP-101-PIN](#) [HH-128-PIN](#) [8594810000](#) [T-1000-N](#) [JP506S](#) [XC0900P-10S](#) [XC0900B-30S](#)  
[CHE1260-QAG](#) [11305-10](#) [5962-9091202MXA](#) [3A412S](#) [X3C06A4-03S](#) [B39000Z3410A4](#) [DSS-333-PIN](#) [PD2425J5050S2HF](#)  
[B39242B4360P810](#) [B39781B8005P810](#)