



---

# SK3521

GPS+GLONASS+Compass, RF SAW Filter  
Revision 1: December 2020

MSL 3 Device



- Electrical Characteristics
  - Package Dimensions
  - Testing Environment
  - Frequency Characteristics
-

## □ Electrical Characteristics

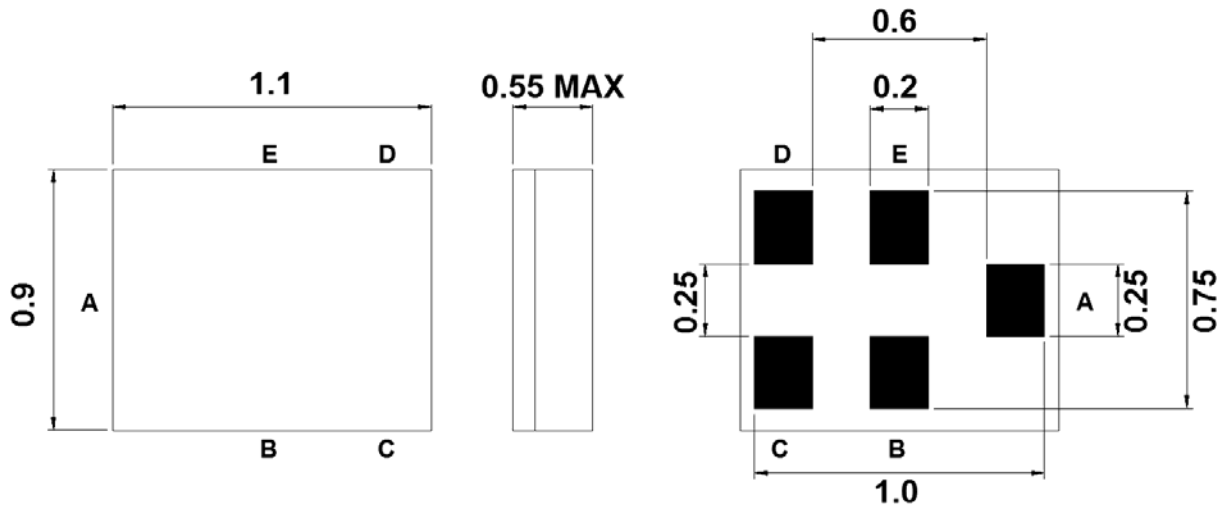
### Maximum Ratings

Parameters Description	Unit	Minimum	Typical	Maximum
Operating Temperature Range	°C	-30	-	+85
Storage Temperature Range	°C	-40	-	+85
Maximum DC Voltage	V	-	-	3
Maximum Input Power	dBm	-	-	15
Source Impedance (unbalanced) <sup>(1)</sup>	Ω	-	50	-
Load Impedance (unbalanced) <sup>(1)</sup>	Ω	-	50	-
Package type & size	C14			
Length x Width	mm <sup>2</sup>	-	1.1 x 0.9	-
Height	mm	-	-	0.55

### Electrical Specification

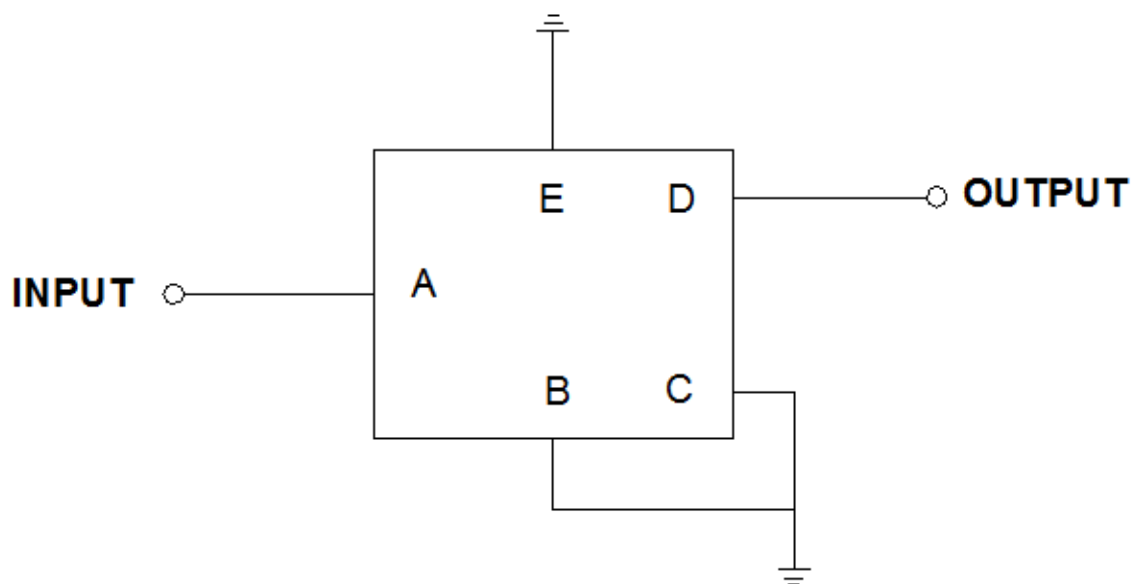
Parameters Description		Unit	Characteristics			Note
			Min	Typ*	Max	
Center Frequency (Fo)		MHz	1582.47			
Insertion Loss	1559.052~ 1563.14 MHz	dB	/	1.6	1.9	
	1574.42 ~ 1576.42 MHz	dB	/	1.0	1.8	
	1597.55 ~ 1605.89 MHz	dB	/	1.6	1.9 <sup>1)</sup>	
	1597.55 ~ 1605.89 MHz	dB	/	1.6	2.2	
Amplitude Ripple	1559.052~ 1563.14 MHz	dB <sub>p-p</sub>	/	0.2	2.0	
	1574.42 ~ 1576.42 MHz	dB <sub>p-p</sub>	/	0.2	2.0	
	1597.55 ~ 1605.89 MHz	dB <sub>p-p</sub>	/	0.5	2.0	
Group delay ripple	1597.55 ~ 1605.89 MHz	nsec	/	6.0	12.5	
Input VSWR	1559.052~ 1563.14 MHz		/	1.4	1.9	
	1574.42 ~ 1576.42 MHz		/	1.3	1.8	
	1597.55 ~ 1605.89 MHz		/	1.3	1.9	
Output VSWR	1559.052~ 1563.14 MHz		/	1.6	1.9	
	1574.42 ~ 1576.42 MHz		/	1.2	1.8	
	1597.55 ~ 1605.89 MHz		/	1.3	1.9	
Attenuation	10 ~ 960 MHz	dB	37	40	/	
	960 ~ 1463 MHz	dB	36	40	/	
	1710 ~ 1785 MHz	dB	35	42	/	
	1785 ~ 1990 MHz	dB	35	42	/	
	1990 ~ 2280 MHz	dB	32	36	/	
	2280 ~ 2400 MHz	dB	35	44	/	
	2400 ~ 2500 MHz	dB	33	45	/	
	2500 ~ 2700 MHz	dB	32	43	/	
	2700 ~ 3000 MHz	dB	28	39	/	
3000 ~ 6000 MHz	dB	15	46	/		

## □ Package Dimensions



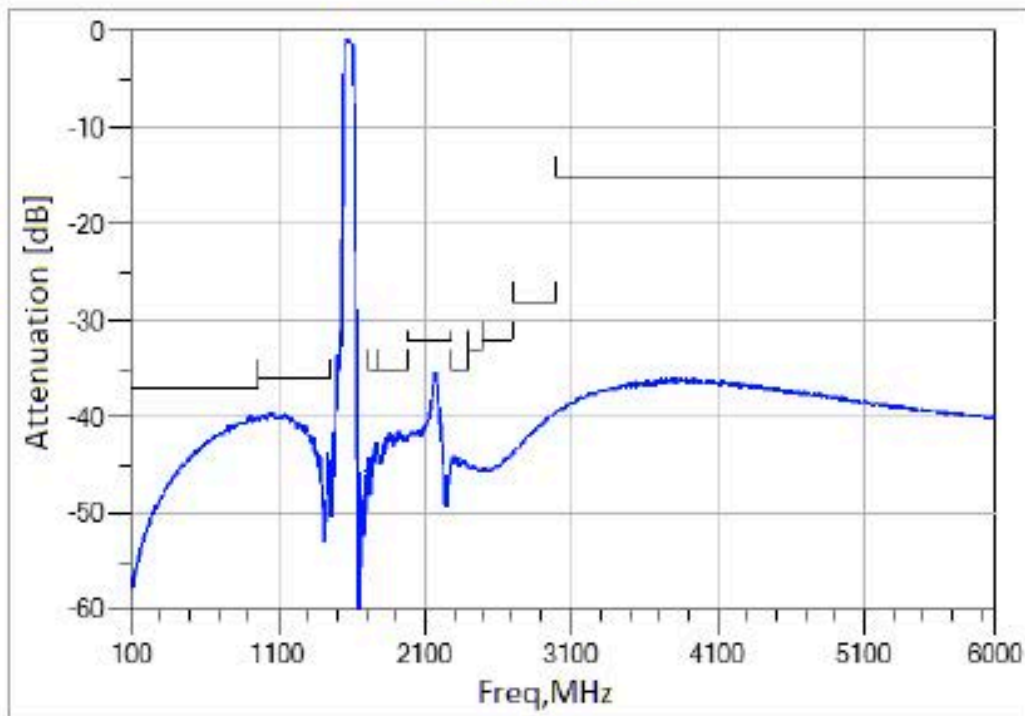
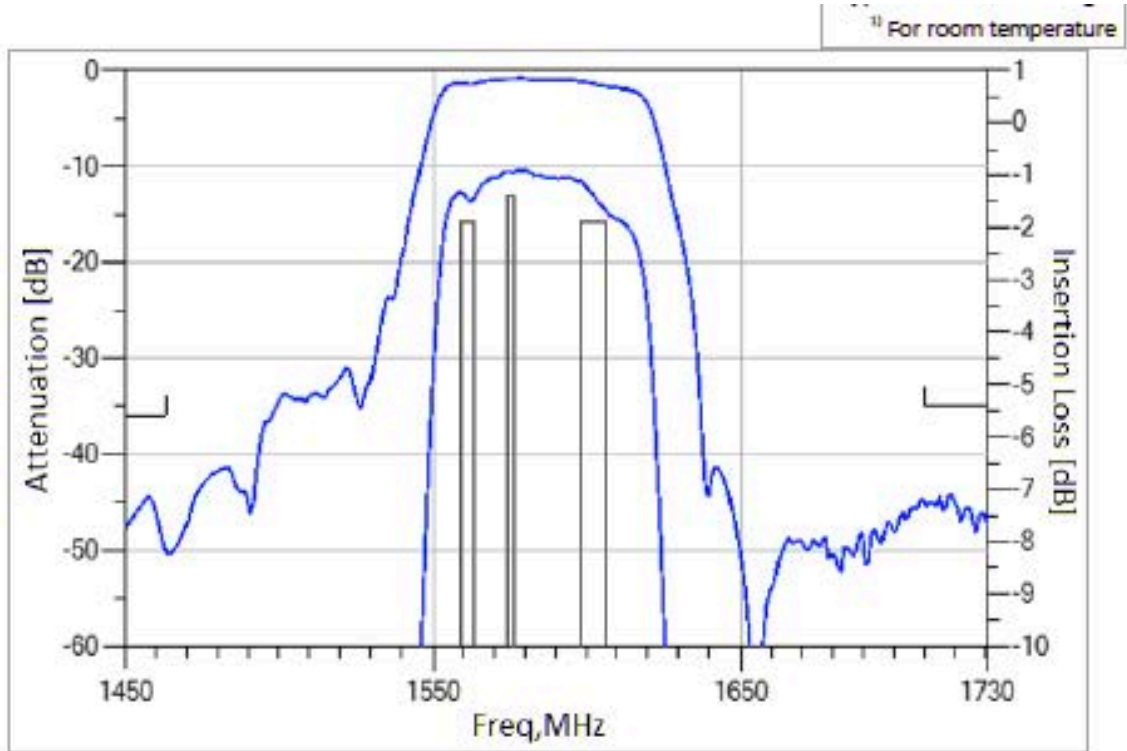
Pin Description	
B, C, E	Ground
A	Input
D	Output

## □ Testing Environment



Source & Load Impedance: 50  $\Omega$

## □ Frequency Characteristics



## X-ON Electronics

Largest Supplier of Electrical and Electronic Components

*Click to view similar products for [Signal Conditioning](#) category:*

*Click to view products by [Suntek](#) manufacturer:*

Other Similar products are found below :

[MAPDCC0001](#) [MAPDCC0004](#) [PD0409J5050S2HF](#) [HHS-109-PIN](#) [AFS14A35-1591.50-T3](#) [DS-323-PIN](#) [DSS-313-PIN](#) [B39321R801H210](#)  
[1A0220-3](#) [JP510S](#) [LFB212G45SG8C341](#) [LFB322G45SN1A504](#) [LFL182G45TC3B746](#) [SF2159E](#) [30057](#) [AFS1575.42S4-T](#) [FM-104-PIN](#)  
[CER0813B](#) [MAPDCC0005](#) [3A325](#) [40287](#) [41180](#) [ATB3225-75032NCT](#) [BD0810N50100AHF](#) [JHS-115-PIN](#) [DC0710J5005AHF](#)  
[DC2327J5005AHF](#) [43020](#) [LFB2H2G60BB1C106](#) [LFL15869MTC1B787](#) [X3C19F1-20S](#) [XC3500P-20S](#) [10013-20](#) [SF2194E](#)  
[CDBLB455KCAX39-B0](#) [TGL2208-SM, EVAL](#) [RF1353C](#) [051157-0000](#) [PD0922J5050D2HF](#) [1E1305-3](#) [1F1304-3S](#) [1G1304-30](#)  
[B0922J7575AHF](#) [10017-3](#) [TP-103-PIN](#) [BD1222J50200AHF](#) [BD1722J50100AHF](#) [2450DP39K5400E](#) [BD0810J50150AHF](#)  
[BD1722J50200AHF](#)